

1

Verktyg
Tools
Werkzeuge
Outillage
Herramientas

Special tools

Specialverktyg

1-B02

0000
0020
0040
0060
0080
0100
0120
0140
0160
0180
0190
0200
0220
0240
0260
0280
0300
0320
0340
0360
0380
0400
0420
0440
0460
0470
0480
0500
0520
0540
0560
0570
0580
0600
0620
0640
0660
0680
0700
0720
0740
0760
0780
0800
0820
0840
0860
0880
0900
0920
0940
0960

CONTENTS

Special tools classifying		
Special tools, engine part 1	1 : 5	1-B06
Special tools, engine part 2	1 : 7	1-B08
Special tools, engine part 3	1 : 9	1-B10
Special tools, engine part 4, ISAT	1 : 11	1-B12
Special tools, transmission (man. gear box) part 1	1 : 13	1-B14
Special tools, transmission (man. gear box) part 2	1 : 17	1-B18
Special tools, transmission (man. gear box) part 3	1 : 19	1-B20
Special tools, chassis, part 1	1 : 21	1-B22
Special tools, chassis, part 2	1 : 23	1-B24
Special tools, car body	1 : 25	1-C02
Special tools, miscellaneous	1 : 29	1-C06

INNEHÅLLSFÖRTECKNING

Specialverktygsklassificering		
Specialverktyg, motor del 1	1 : 5	1-B06
Specialverktyg, motor del 2	1 : 7	1-B08
Specialverktyg, motor del 3	1 : 9	1-B10
Specialverktyg, motor del 4, ISAT	1 : 11	1-B12
Specialverktyg, kraftöverföring (M växellåda) del 1	1 : 13	1-B14
Specialverktyg, kraftöverföring (M växellåda) del 2	1 : 17	1-B18
Specialverktyg, kraftöverföring (M växellåda) del 3	1 : 19	1-B20
Specialverktyg, chassi, del 1	1 : 21	1-B22
Specialverktyg, chassi, del 2	1 : 23	1-B24
Specialverktyg, kaross	1 : 25	1-C02
Specialverktyg, övriga	1 : 29	1-C06

INHALTSVERZEICHNIS

Specialwerkzeuge, Klassenordnung		
Specialwerkzeuge, Motor Teil 1	1 : 5	1-B06
Specialwerkzeuge, Motor Teil 2	1 : 7	1-B08
Specialwerkzeuge, Motor Teil 3	1 : 9	1-B10
Specialwerkzeuge, Motor Teil 4, ISAT	1 : 11	1-B12
Specialwerkzeuge, Kraftübertragung (Mne Getriebe) Teil 1	1 : 13	1-B14
Specialwerkzeuge, Kraftübertragung (Mne Getriebe) Teil 2	1 : 17	1-B18
Specialwerkzeuge, Kraftübertragung (Mne Getriebe) Teil 3	1 : 19	1-B20
Specialwerkzeuge, Fahrgestell, Teil 1	1 : 21	1-B22
Specialwerkzeuge, Fahrgestell, Teil 2	1 : 23	1-B24
Specialwerkzeuge, Karosserie	1 : 25	1-C02
Specialwerkzeuge, Übriges	1 : 29	1-C06

MASTER INDEX

0 General
1 Tools
2 Engine
3 Electrical system, instruments
4 Transmission
5 Brakes
6 Front assembly, Steering
7 Suspension, Wheels
8 Body
9 Tool, Labels
10 Numerical register

1 GROUP INDEX

Special tools classifying
Special tools, engine part 1
Special tools, engine part 2
Special tools, engine part 3
Special tools, transmission (man. gear box) part 1
Special tools, transmission (man. gear box) part 2
Special tools, transmission (man. gear box) part 3
Special tools, chassis, part 1
Special tools, chassis, part 2
Special tools, car body
Special tools, miscellaneous

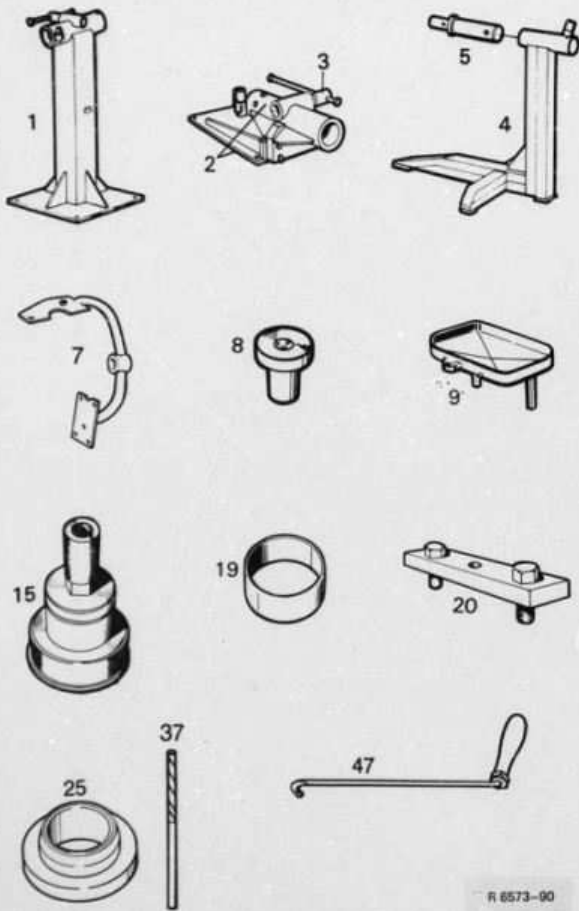
Tools

Engine, part 1

Verktyg

Motor, del 1

1-B06



R 6573-90

QTY	Part No.	Part Name	Description	Swedish
0001	1	78 60 794	4i, A2, ALTERN STANDS	1 Golvstativ
0040	2	78 60 877	4i, A2, ALTERN STANDS	1 Bänksstativ
0060	3	78 60 885	4i, A2, ALTERN STANDS	1 Vise
0080	4	78 61 479	4i, A2, ALTERN STANDS	1 Stativ
0100	5	83 90 478	A2	1 Åxel för stativ
0180	7	83 93 951	A2	1 Hölder, engine
0240	8	83 91 849	A1	1 Plunger
0300	9	78 60 802	4i, A2	1 Oljpan
0480	15	83 92 540	A1	1 Guide sleeve, crankshaft
0500			swel, flywheel side	1 Styrfylis, vevaxelring
0680	19	83 91 153	A2	1 Piston installing tool
0700			tool, oversize	1 Kolvmonteringsverktyg, OD
0780	19	78 62 287	A2	1 Piston installing tool
0820	20	83 92 151	A1	1 Puller, belt pulley
0890	25	83 93 340	A1	1 Installing ring seal
0891			ring, transmission	1 Låsningsring, transmission
1080	37	83 92 268	A2	1 Reamer, valve guide
1440	47	83 93 357	A1	1 Disengagement tool
1480			chain tensioner	1 Kettspännare

MASTER INDEX

- 0 General
- 1 Tools
- 2 Engine
- 3 Electrical system, Instruments
- 4 Transmission
- 5 Brakes
- 6 Front assembly, Steering
- 7 Suspension, Wheels
- 8 Body
- 9 Tool
- 10 Numerical register

1 GROUP INDEX

- Special tools classifying
- Special tools, engine part 1
- Special tools, engine part 2
- Special tools, engine part 3
- Special tools, engine part ISAT
- Special tools, transmission (man. gear box) part 1.
- Special tools, transmission (man. gear box) part 2.
- Special tools, transmission (man. gear box) part 3.
- Special tools, chassis part 1.
- Special tools, chassis, part 2.
- Special tools, car body
- Special tools, miscellaneous

4. Also for Saab 90/96

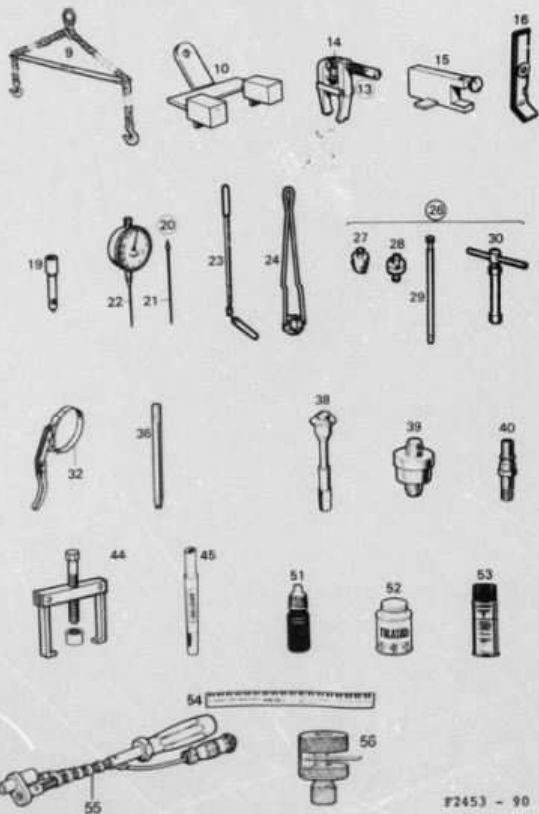
SAAB original equipment

SAAB 90 M85-87

1990-02

R6573

01-005



1-B08

Tools
Engine, part 2

Verktyg
Motor, del 2

0190	Pos	Part No./An nr	Q'ty	Remarks	Description	Benämning
0200	9	83 92 409	A1		Lifting yoke, engine and power plant	Lyftkrok, motor och drivaggregat
0210	10	83 93 209	A1		Spacer	Måttårligg
0300	13	83 91 450	A0		Measuring tool, valve	Måttverktyg, ventilspjel
0320	14	83 92 250	A0		Measuring point	Måtpäts
0340	15	83 91 633	A0		Measuring plate, valve clearance adjustment	Måtpätsa, justering av ventilspjel
0380	16	83 91 419	A0		Feeler gage set, valve clearance	Tolksätters, ventilspjel
0400	19	83 92 045	4j, A0		Adapter cpl, ignition setting	Adapter kpl, tändstiftsinställning
0520	20	78 40 622	4j, A0		Dial indicator cpl	Indikatorlocka kpl
0530	21	78 14 908	4j		Point 100 mm	Måtpäts 100 mm
0640	22	78 14 916	4j		Point 40 mm	Måtpäts 40 mm
0660	23	83 91 401	4j, A1		Magnet tool	Magnetverktyg
0600	24	83 92 185	A0		Key, crankshaft screw	Nyckel, vevaxelkruv
0660	26	83 92 193	4j, A2		Valve seat cutter assy	Ventilsättesfräs kpl
0720	27	83 92 201			Cutter 75 degrees	Fräs 75 grader
0760	28	83 92 219			Cutter 11-45 degrees	Fräs 11-45 grader
0780	29	78 61 057			Guide spindle	Styrspindel
0800	30	78 61 085			T-key	T-nyckel
0840	32	78 62 014	A0		Key, oil filter	Nyckel, oljefilter
0850	32	83 93 332	A0		Key, oil filter	Nyckel, oljefilter
1040	36	83 92 128	A1		Guide pin, cylinder head	Styrspjett, cylinderlock
1100	38	83 92 631	A2		Removal and installation tools, valve guide	Demonterings- och monteringsverktyg, ventilstyrning
1140	39	83 91 997	A2		Drift, flywheel bearing	Drift, svänghjulager
1160	40	83 92 326	A1		Air ripple, spark plug hole	Luftrippel för tändstift hål
1200	44	85 90 086	A2		Puller, trigger rotor	Autdragare, spårrotor
1250	45	83 92 789	A2		Drift, installing and removing, fuel jet carburetor	Drift, montering och demontering, bränslemotornytka, förgasare
1270	51	78 60 513			Loctite stud lock	Loctite skruvlåsing
1480	51	87 10 394	45/3007218		Loctite 270	Loctite 270
1520	51	83 43 908	45/3007226		Loctite quickset	Loctite quickset
1540	52	88 09 097	45/3007176		Tikaset, can 1 pound	Tikaset, burk 1/2 kg
1600	53	83 08 454	45/3006590		Loctac activator grade 1	Loctac activator
1600	54	78 60 505	45/3006558		Plastic gage, bearing clearance measuring	Plastigauge, för mätning av lager spel
1620	55	86 19 005	A2		Ignition timing sensor	Tändstiftsgivare
1650	56	85 90 045	A0		Spark plug adjuster	Justeringsverktyg, tändstift

4. Also for Saab 95/96

SAAB 1990-02 F2453 SAAB 90 M85-87 1990-02 F2453 C1-007

MASTER INDEX

- 0 General
- 1 Tools
- 2 Engine
- 3 Electrical system, Instruments
- 4 Transmission
- 5 Brakes
- 6 Front assembly, Steering
- 7 Suspension, Wheels
- 8 Body
- 9 Tool, Labels
- 10 Numerical register

1 GROUP INDEX

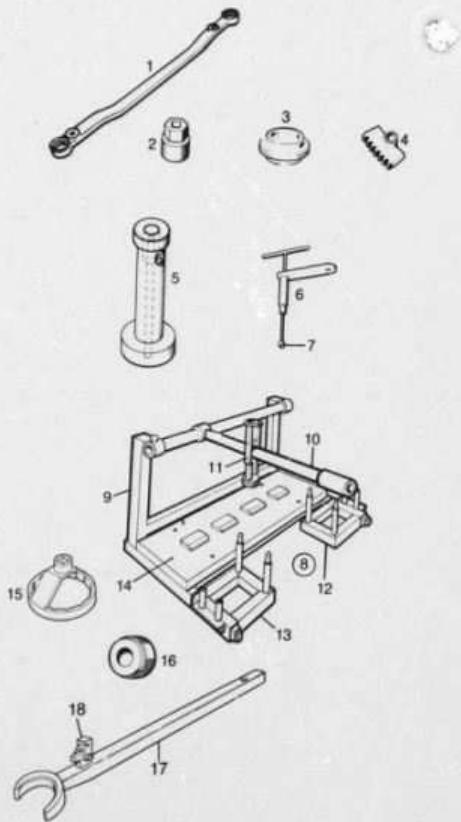
- Special tools classifying
- Special tools, engine part 1
- Special tools, engine part 2
- Special tools, engine part 3
- Special tools, engine part 4
- Special tools, transmission
- Special tools, transmission (man. gear box) part 1.
- Special tools, transmission (man. gear box) part 2.
- Special tools, transmission (man. gear box) part 3.
- Special tools, chassis part 1.
- Special tools, chassis, part 2.
- Special tools, car body
- Special tools, miscellaneous

Tools
Engine, part 3

Verktyg
Motor, del 3

1-B10

MASTER INDEX



RR336-90

Qty/Amount	Part Number	Description	Swedish
0200			
0220	1 83 92 961	A1 Ring key	Ringnyckel
0230	2 83 93 839	A1 Sleeve	Hylsa
0240	3 83 92 979	A1 Pressure sleeve	Presshylsa
0290	4 83 92 987	A1 Fly wheel stop	Swänghjulstopp
0380	5 83 93 027	A0 Adjusting plunger	Inställningsstok
0390	6 83 93 035	A0 Adjusting tool	Inställningsverktyg
0400	7 83 93 043	A0 Adaptor	Adaptor
0420	8 83 93 050	A2 Fixture, valve removing and installing	Fixtur, ventildemontering och montering
0440	9 83 93 068	A2 Base fixture	Grundfixtur
0480	10 83 93 076	A2 Level	Hövlåda
0500	11 83 93 084	A2 Valve spring pressure	Ventilfjädertryckare
0520	12 83 93 092	A2 Fixing point 99 2.0L	Fixerutlös 99 2.0L
0540	13 83 93 100	A2 Fixing point 99 1.7	Fixerutlös 99 1.7-1.85L
0590			
0590	14 83 93 118	A2 -1.85L and V4	Fixerutlös 99 1.7 och V4
0600			
0620	15 83 93 385	A1 Key, nut fuel level transmitter	Nyckel, mutter bränslenivögivare
0640	16 83 93 589	A1 Centring tool, oil pump	Centreringsring, oljepump
0700	17 83 94 033	A1 Lever, clutch shaft engine	Hövlåda, lamellaxel motor
0720			
0730	18 83 94 306	A1 Hook with screw and nut	Håke med skruv och mutter

- 0 General
- 1 Tools
- 2 Engine
- 3 Electrical system, Instruments
- 4 Transmission
- 5 Brakes
- 6 Front assembly, Steering
- 7 Suspension, Wheels
- 8 Body
- 9 Tool, Labels
- 10 Numerical register

1 GROUP INDEX

- Special tools classifying
- Special tools, engine part 1
- Special tools, engine part 2
- Special tools, engine part 3
- Special tools, engine part ISAT
- Special tools, transmission (man. gear box) part 1.
- Special tools, transmission (man. gear box) part 2.
- Special tools, transmission (man. gear box) part 3.
- Special tools, chassis part 1.
- Special tools, chassis, part 2.
- Special tools, car body
- Special tools, miscellaneous



1-B12

Tools
Engine, part 4
ISAT

Verktyg
Motor, del 4
ISAT

QTY	Part No./Art nr	Notes, description	Description	Benämning	
0010	1	86 10 834	39)	ISAT basic set	ISAT grundsats
0020	2	86 10 851	1)	ISAT instrument, incl. battery	ISAT instrument, inkl. batteri
0030	3	86 10 826	1)	Storage/carrying case	Förvarings-/transportväska
0040	4	86 10 701		Diagnosis lead set	Diagnoskabel
0050	5	86 10 693		Diagnosis lead set	Diagnoskabel
0060	6	86 10 719		Test lead set	Märkablage
0070	7	86 10 669		Programme cartridge	Programmodul
0080	7	86 10 677		Programme cartridge	Programmodul
0090	7	86 10 685		Programme cartridge	Programmodul
0100	8	86 10 743		Clip-on current detector	Strömmång
0110	9	86 10 750		Temperature-sensor lead	Temperaturhärkabel
0120	10	86 10 776		Test lead	Testkabel
0130	11	86 10 784		Test lead	Testkabel
0140	12	86 10 800		Protection cover	Skyddskåpa

MASTER INDEX

- 0 General
 - 1 Tools
 - 2 Engine
 - 3 Electrical system,
 - 4 Instruments
 - 5 Brakes
 - 6 Front assembly, Steering
 - 7 Suspension, Wheels
 - 8 Body
 - 9 Tool, Labels
 - 10 Numerical register
- 1 GROUP INDEX
- 6 Special tools classifying
 - 6 Special tools, engine part 1.
 - 6 Special tools, engine part 2.
 - 6 Special tools, engine part 3.
 - 6 Special tools, engine part 4.
 - 6 Special tools, transmission (man. gear box) part 1.
 - 6 Special tools, transmission (man. gear box) part 2.
 - 6 Special tools, transmission (man. gear box) part 3.
 - 6 Special tools, chassis part 1.
 - 6 Special tools, chassis, part 2.
 - 6 Special tools, car body
 - 6 Special tools, miscellaneous

P2454 - 90

1) Not as separate spare part
39) When ordering ISAT basic set programme cartridge must be specified depending on language set required.
40) To be specified separately when ordering ISAT basic set, depending on language set required.

SAAB genuine parts
original accessories

SAAB 90 M85-87

1990-02

F2454

01-011

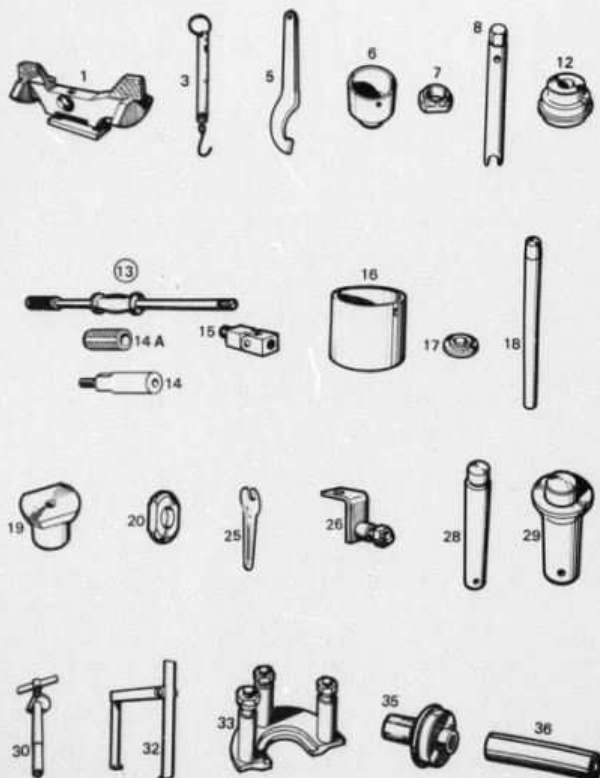
Tools

Manual gearbox, part 1

Verktyg

Manuell växellåda, del 1

1-B14



R 6207-90

Q258	Pos	Part No./Art nr	Notes/Anmärkning	Q259	Description	Swedish
0020	1	83 90 155	2), A2	1	Measuring tool cpl, pinion (incl. box)	Mätverktyg kpl, pinjong (inkl. låda)
0040	3	83 90 130	A2	1	Dynamometer cpl (incl. scale)	Dynamometer kpl (inkl. skala)
0060	5	83 90 197	A2	1	Hook wrench, intermediate shaft	Håknyckel, mellanaxel
0140	6	83 90 114	A2	1	Sleeve, installation of 4th gear, bearing housing	Hylla, montering av 4-ans drav, ytterring
0180	7	83 90 213	A2	1	Ring, removal of 4th gear with bearing	Ring, demontering av 4-ans drav med lager
0190	8	87 90 818	A2	1	Drift, differential bearing	Dom, differentiallager
0200	12	83 90 312	2), A2	1	Drift, installation of differential housing	Dom, montering av differentialhus
0220	13	83 90 270	A1	1	Outer bearing ring, steering knuckle housing	Yttre ring, styrspindelhus
0240	14	83 90 858	A2, 5-SPEED	1	Seal ring, tapping-out hammer	Tätningring i styrsjundehus
0260	14A	87 90 917	A1, 5/16 UNC	1	End piece	Ändstopp
0280	15	83 90 015	A2	1	Adapter	Adapter
0300	15	87 90 529	A1, M8	1	Joint, removal of clutch shaft	Knut, demontering av klutchaxel
0320	16	83 90 088	A2	1	Drift, installation and removal of primary gear, primary gear wheel bearing, fourth gear bearing	Drift, montering och demontering av primärväxel, primärväxeldriv, lager primärväxel, lager fjärde driv
0340	17	83 90 205	A2	1	Ring, removal of primary gear roller bearing and installation of intermediate shaft inner ring and outer bearing	Ring, demontering av rullager primärväxel, montering av inre lager mellanaxel
0360	18	83 90 262	A2	1	Aligning arbor, installation of intermediate shaft	Styrform, montering av mellanaxel
0380	19	83 90 106	A2	1	Drift, removal of pinion roller bearing outer ring and installation of primary gear housing roller bearing	Dom, demontering av rullager ytterring pinjong och montering av rullager primärväxelhus
0400	20	83 90 296	2), A2	1	Washer, removal of bearing seat outer ring	Bricka, demontering av ytterring lagarsäte
0420	25	83 90 072	A2	1	Open-ended wrench, pinion shaft nut	Öppnyckel, mutter pinjongaxel
0440	26	83 90 288	A2	1	Dial indicator retaining tool, back lash differential	Hållare, indikator-klocka, mätning av flankspel, differential

2. Also for automatic transmission

MASTER INDEX

0	General	1
1	Tools	1
2	Engine	1
3	Electrical system, Instruments	1
4	Transmission	1
5	Brakes	1
6	Front assembly, Steering	1
7	Suspension, Wheels	2
8	Body	2
9	Tool-Labels	2
10	Numerical register	2

1 GROUP INDEX

Special tools classifying	
Special tools, engine part 1.	1
Special tools, engine part 2.	1
Special tools, engine part 3.	1
Special tools, engine part 4.	1
ISAT	1
Special tools, transmission (man. gear box) part 1.	1
Special tools, transmission (man. gear box) part 2.	1
Special tools, transmission (man. gear box) part 3.	1
Special tools, chassis part 1.	1
Special tools, chassis, part 2.	1
Special tools, car body	1
Special tools, miscellaneous	1

SAAB Original Equipment

SAAB 90 M85-87

1990-02

R6207 01-013

1-B16

Manual gearbox, part 1

Manuell växellåda, del 1

MASTER INDEX



R 6207-90

0250	Fig.	Part No./Art nr	Notes/Anmärkning	Qty./Antal	Description	Benämning
1600	28	83 90 189	2), A2	1	Drift, installation of needle bearings in free wheel shaft and removal of free wheel shaft, free wheel shaft seal, free wheel shaft roller bearing, input gear with ball bearing, outer bearing rings from bearing seats, and steering knuckle housing outer ring and seal	Drift, montering av nållager i frihjulssaxel, demontering av frihjulssaxel, tätning frihjulssaxel, rullager frihjulssaxel, inngående driv med kullager, lagrens ytterringar ur lageräten, ytterring och tätning styrspindelhus
1620	29	83 90 320	2), A2	1	Drift, installation of differential bearing seat seal, and primary gear roller bearing, clutch shaft seal	Drift, montering av tätning differentiallageräten, rullager primäraxeldriv, klamellaxeltätning
1640	30	83 90 049	A2	1	Puller, installation and removal of reverse gear shaft and intermediate shaft	Avdragare, montering och demontering av bakväxelsaxel och mellanaxel
1660	32	87 90 776	2), A1	1	Puller, removal of differential bearing seat	Avdragare, demontering av differentiallageräten
1680	33	87 90 768	3), A2	1	Puller, removal of differential bearing ring	Avdragare, demontering av differentiallagering
1700	35	78 41 141	3), A2	1	Sleeve, pressing in ball bearing, differential bearing cap	Hylsa, inpressning kullager, differentialagerakåp
1720	36	78 41 067	2), A2	1	Sleeve, removal of ball bearing, differential bearing cap, installation of bearing cap with ball bearing on inner driver	Hylsa, demontering av kullager differentialagerakåp, montering av lagerakåp med kullager på inre meddrivare
1740						
1760						
1780						
1800						
1820						
1840						
1860						
1880						
1900						
1920						
1940						
1960						
1980						
2000						
2020						
2040						
2060						
2100						
2120						
2140						
2160						
2180						
2200						
2240						
2280						
2290						
2340						
2380						
2400						
2440						

2. Also for automatic transmission
3. Alternative stands

SAAB

SAAB 90 M85-87

1990-02

R6207

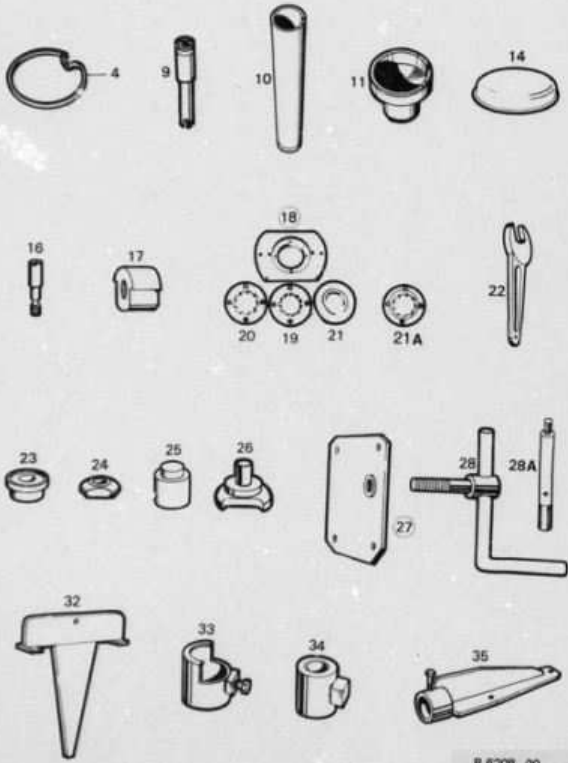
part 01-015

0	General	1-A
1	Tools	1-B
2	Engine	1-C
3	Electrical system, instruments	1-G
4	Transmission	1-H
5	Brakes	1-K
6	Front assembly, steering	1-L
7	Suspension, wheels	2-A
8	Body	2-B
9	Tool, labels	2-G
10	Numerical register	2-H
1 GROUP INDEX		
Special tools classifying		
Special tools, engine part 1.		
Special tools, engine part 2.		
Special tools, engine part 3.		
Special tools, engine part 4.		
ISAT		
Special tools, transmission (man. gear box) part 1.		
Special tools, transmission (man. gear box) part 2.		
Special tools, transmission (man. gear box) part 3.		
Special tools, chassis part 1.		
Special tools, chassis, part 2.		
Special tools, car body		
Special tools, miscellaneous		

1-B18

Tools
Manual gearbox, part 2

Verktyg
Manuell växellåda, del 2



R 6208-90

1288	No.	Part No./Art nr	Notes/Anmärkning	Qty./Lag	Description	Benämning
0240	4	83 90 023	A1	1	Pad	Mellanlägg
0240	9	87 90 370	2), A1	1	Wrench, special nut in gear lever housing	Nyckel, specialmutter växelstakhus
0280	10	83 90 145	A2	1	Sleeve, installation of pinion shaft unit, inner roller bearing, primary gear housing pinion roller bearing and intermediate shaft inner ring and outer bearing, removal of primary gear roller bearing, bearing housing outer rings, intermediate shaft inner ring and clutch shaft seal	Hylsa, montering av pinjongaxelnsätet, inre rullager, pinjongulager primärväxelhus, inerring och yttre lager mellanaxel, demontering av rullager primärväxelbrev, ytterringar lagerhus, inerring mellanaxel, tätning mellanaxel
0560	11	83 90 122	A2	1	Drift, installation of bearing housing outer ring (pinion) and ball bearing on 4th gear and removal of primary gear with bearing from bearing housing	Dom, montering av ytterring i lagerhus (pinjong), kullager på 4-ans drev, demontering av primärväxel drev med lager ut lagerhus
0820	14	89 16 967	A1	2	Protective cover, inner drive shaft	Skyddsluck, inre drivaxel
0840	16	87 90 438	A2, M8	2	Guide pin, pinion bearing housing	Styrpinne, pinjonglagerhus
0950	17	87 90 446	A2	1	Retainer, pinion shaft	Hållare, pinjongaxel
1020	18	87 90 636	A2, SEE ALSO AUTOMATIC GEAR BOX	1	Fixture, removal and installation of bearing from pinion	Fixtur, demontering och montering av lager från pinjong
1080	19	87 90 669	18B	1	J Puller ring	Avdragarring
1120	20	87 90 651	18B	1	J Puller ring	Avdragarring
1140	21	87 90 644	18B	1	J Puller ring	Avdragarring
1180	20	87 90 833	A2, 5-SPEED	1	J Puller ring	Avdragarring
1170	21	87 90 925	A2, 5-SPEED	1	J Puller ring	Avdragarring
1175	21A	87 91 097	A2	1	J Key, pinion shaft nut	Nyckel, pinjongaxelmutter
1180	22	87 90 453	A2	1	Washer, ring pinion bearing housing	Bricka, ring pinjonglagerhus
1240	23	87 90 461	A2	1	Washer, wheel primary gear	Bricka, hjul primärväxel
1260	24	87 90 479	A2	1	Sleeve, bearing differential case	Hylsa, lager differentialhus
1300	25	87 90 487	A2	1	Catch, back wheel	Spår, backhjul
1320	26	87 90 503	A2	1	Pulley, pinion shaft	Avdragare, pinjongaxel
1340	27	87 90 511	A2	1	Screw	Skruv
1400	28	78 40 853	A2, 5-SPEED	4	Spacer screw	Distansskruv
1410	28A	87 90 909	A2	1	Measuring device, synchronising	Inställningsenhet, synkronisering
1520	32	87 90 552	A1	1	Pulley, seal ring gear shift shaft	Avdragare, tätningsskiva
1540	33	87 90 677	A1	1	Installing tool, seal ring gear shift shaft	Monteringsverktyg, tätningsskiva
1580	34	87 90 685	A1	1	Holder, gear box	Hållare, växellåda
1620	35	83 90 460	A2, (7861479, 7860794, 7860877, 7860885)	1		

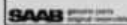
2. Also for automatic transmission
18. Not used for manual gear box

MASTER INDEX

0	General	1-A
1	Tools	1-B
2	Engine	1-D
3	Electrical system, instruments	1-G
4	Transmission	1-H
5	Brakes	1-K
6	Front assembly, steering	1-L
7	Suspension, wheels	2-A
8	Body	2-B
9	Tool	
	Labels	2-G
10	Numerical register	2-H

1 GROUP INDEX

Special tools classifying	
Special tools, engine part 1.	1-B
Special tools, engine part 2.	1-B
Special tools, engine part 3.	1-B
Special tools, engine part 4.	1-B
ISAT	
Special tools, transmission (man. gear box) part 1.	1-B
Special tools, transmission (man. gear box) part 2.	1-B
Special tools, transmission (man. gear box) part 3.	1-B
Special tools, chassis part 1.	1-B
Special tools, chassis, part 2.	1-B
Special tools, car body	1-C
Special tools, miscellaneous	1-C



SAAB 90 M85-87

1990-02

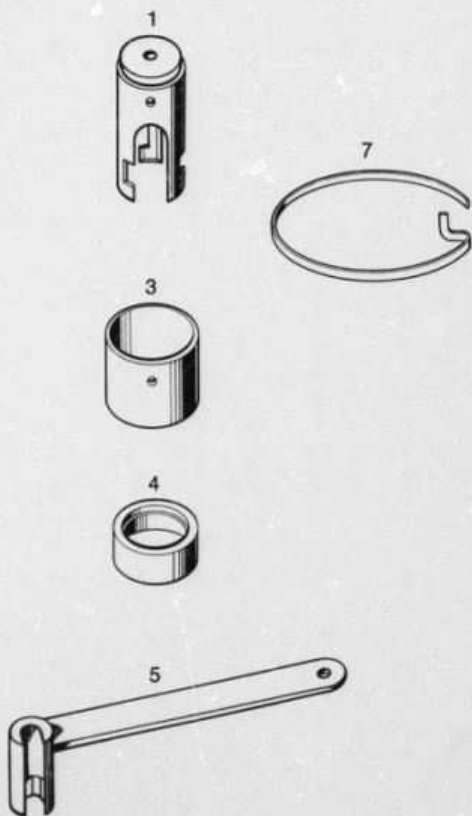
R6208

01-017

1-B20

Tools
Manual gearbox, part 3

Verktyg
Manuell växellåda, del 3



RR337-90

Pos	Part No/Art nr	Notes/Anmärkning	Qty/Antal	Description	Benämning	
0000	1	87 90 891	A2	1	Extractor - pressing sleeve for removing of sprocket in primary gear	Avdrags - presshylsa, kedjedrev primärväxel
0040	3	87 90 859	A2	1	Sleeve, fitting bearing in primary gear	Presshylsa, monterings av rullager i primärväxel-drev
0080	4	87 90 867		1	Installation ring, fitting bearing on to input shaft in gearbox	Monteringsring för rullager i ingående axel, växelåda
0140	5	83 93 571	A1	1	Key	Nyckel
0180	7	87 91 618	A1	1	Spacer	Mellanring

MASTER INDEX

0	General	1-00
1	Tools	1-00
2	Engine	1-00
3	Electrical system, Instruments	1-00
4	Transmission	1-02
5	Brakes	1-02
6	Front assembly, Steering	1-02
7	Suspension, Wheels	2-02
8	Body	2-02
9	Tool, Labels	2-02
10	Numerical register	2-02

1 GROUP INDEX

Special tools classifying	
Special tools, engine part 1.	1-00
Special tools, engine part 2.	1-00
Special tools, engine part 3.	1-01
Special tools, engine part 4.	1-01
ISAT	
Special tools, transmission (man. gear box) part 1.	1-01
Special tools, transmission (man. gear box) part 2.	1-01
Special tools, transmission (man. gear box) part 3.	1-02
Special tools, chassis part 1.	1-02
Special tools, chassis, part 2.	1-02
Special tools, car body	1-02
Special tools, miscellaneous	1-02

SAAB original parts

SAAB 90 M85-87

1990-02

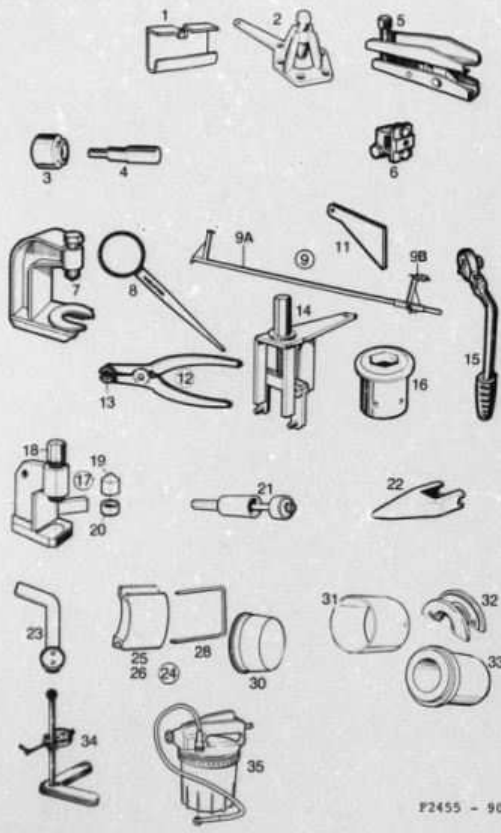
R8337

01-019

1-B22

Tools Chassis, part 1

Verktyg Chassi, del 1



F2455 - 90

Part No.	Part No./In stock	Descr./Anmärkning	Qty./Anst.	Description	Swedish
0010	1 89 96 175	A0	1	Removing tool, u-pin	Demoneringsverktyg, u-pinne
0020	2 89 96 084	21, A2	1	Puller, removal of front and rear axle hubs, front axle outer bearing ring, outer drive shaft, gear box differential housing, bearing ring and engine chain wheel	Avdragare, demontering av nav, fram och bak-axel, yttre lagering framaxel, yttre drivaxel, lagering differentialhus växel- och kedjedriv motor
0120	3 78 41 331	A1	1	Installing tool, bushing upper control arm	Monteringsverktyg, bushning övre svängarm
0150	4 78 41 349	A1	1	Inst. tool, bushing lower control arm	Monst. verktyg, bushning nedre svängarm
0170	5 89 95 409	41, A1	1	Puller, removal of tie-rod ends and ball bolts	Avdragare, demontering av styrstängsändar och kulbultar
0180	6 89 95 284	A2	1	Puller, steering gear pinion. Used with tapping out hammer 8390270. See special tools, transmission	Avdragare, styrstäng Används tillsammans med slaghammare 8390270. Se specialverktyg, kraftöverföring
0280	7 89 95 019	A0	1	Steering wheel puller	Rattavdragare
0270	8 89 95 807	A0	1	Brake spring tool, inst. and removal of brake springs	Bromsfjädersverktyg, montering och demontering av bromsfjäder
0240	9 88 19 013	41, A2	1	Tool for measuring toe-in	Verktyg för uppställning av to-in
0230	9A 88 19 054		1	Measuring rod	Mätstäng
0230	9B 88 19 062		1	Dial test indicator	Indikator med skala
0340	11 89 95 342	A0	1	Template, brake piston position	Kolvmat, korrrekt bromskolvens läge
0360	12 89 95 367	A0	1	Piston, moving pliers	Tång, vridning bromskolv
0380	13 89 95 664	A1	2	Claw	Back
0390	14 89 95 771	A1	1	Removing tool, brake pad	Demoneringsverktyg, bromsklots
0400	15 89 95 763	A1	1	Ratchet wrench	Spårnyckel, framvagnsstängning
0410	16 89 95 809	41, A0	1	Sleeve, wheel nut	Hylsa, hjulnöt
0420	17 89 95 920	A1	1	Tool, wheel screw	Verktyg, hjulskruv
0430	18 89 95 581		1	Screw	Skruv
0440	19 89 95 596		1	Installing sleeve	Monteringshylsa
0470	20 89 95 904		1	Removing sleeve	Demoneringshylsa
0480	21 89 95 274	A1	1	Tool for rubber bushing, rear axle	Verktyg för gummebushning, bakaxel
0490	22 89 95 813	A1	1	Inst. tool, bellows steering wheel shaft	Monteringsverktyg, damask rattstäng
0510	23 89 96 043	31, A0	1	Key, brake piston	Nyckel, bromskolv
0520	24 89 96 191	A1	1	Grinding set, brake disc	Slipset, bromsskiva
0540	25 89 96 209	A1	1	Grinding pad LH	Slipklots V
0540	26 89 96 217	A1	1	Grinding pad RH	Slipklots H
0570	27 89 96 225	A1	1	U-pin	U-pinne
0580	30 89 96 233	A1	1	Wheel bolt guard	Hjulbultskydd
0590	31 89 96 449	A1	1	Sleeve, dolly, removal of front wheel bearing	Hylsa, mothål, demontering framhjulslager
0620	32 89 96 456	A1	1	Dolly, removal of front wheel bearing	Mothållsbricka, demontering framhjulslager
0640	33 89 96 464	A1	1	Dolly, installation of wheel hub	Mothål, montering av hjulnav
0650	34 78 74 886		1	Run-out gauge	Hjulcentrindikator
0670	35 89 19 096	A2	1	Bleeding tool, brakes	Bromskåttars

2. Also for automatic transmission
3. Alternative stands
4. Also for Saab 95/96

MASTER INDEX

0	General	1-A0
1	Tools	1-B0
2	Engine	1-D0
3	Electrical system, instruments	1-G0
4	Transmission	1-M0
5	Brake	1-K0
6	Front assembly, steering	1-L0
7	Suspension, wheels	2-A0
8	Body	2-B0
9	Tool-Labels	2-G0
10	Numerical register	2-H0

1 GROUP INDEX

Special tools classifying

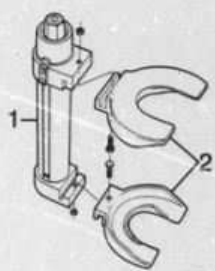
Special tools, engine part 1	1-B0
Special tools, engine part 2	1-B0
Special tools, engine part 3	1-B1
Special tools, engine part 4	1-B1
ISAT	
Special tools, transmission (man. gear box) part 1	1-B1
Special tools, transmission (man. gear box) part 2	1-B1
Special tools, transmission (man. gear box) part 3	1-B2
Special tools, chassis part 1	1-B2
Special tools, chassis, part 2	1-B2
Special tools, car body	1-C0
Special tools, miscellaneous	1-C0

1-B24

Tools
Chassis, part 2

Verktyg
Chassi, del 2

Qty	Part No./An nr	Descr./Anmärkning	Qty/Anm	Description	Benämning
0031	1	88 18 791	1	Spring press	Fjäderpress
0032	2	88 18 809	1	Holder	Hållare



MASTER INDEX

0	General	1-A
1	Tools	1-B
2	Engine	1-D
3	Electrical system, instruments	1-G
4	Transmission	1-H
5	Brakes	1-K
6	Front assembly, steering	1-L
7	Suspension, wheels	2-A
8	Body	2-B
9	Tool, labels	2-G
10	Numerical register	2-H

1 GROUP INDEX

Special tools classifying:

- Special tools, engine part 1. 1-B
- Special tools, engine part 2. 1-B
- Special tools, engine part 3. 1-B
- Special tools, engine part 4. 1-B
- ISAT
- Special tools, transmission (man. gear box) part 1. 1-B
- Special tools, transmission (man. gear box) part 2. 1-B
- Special tools, transmission (man. gear box) part 3. 1-B
- Special tools, chassis part 1. 1-B
- Special tools, chassis, part 2. 1-B
- Special tools, car body 1-C
- Special tools, miscellaneous 1-C

R 9297-X0

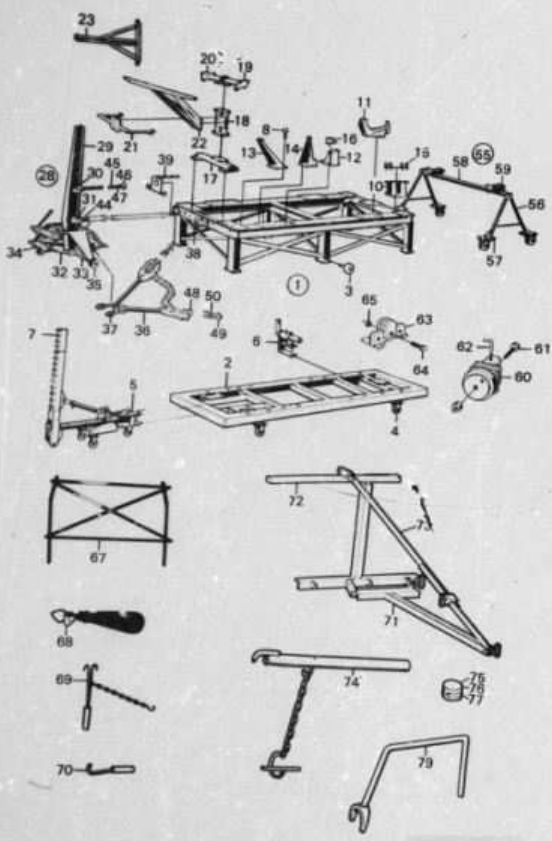
Tools

Car body

Verktyg

Kaross

1-C02



R 6211-90

Part No.	Part Name	Description	Swedish
8000	1	IS DELETED	
8000	2	4) B2, ALTERN TO 8290140	1
8188	3	4) PART OF 8290140	1
8188	4	4) PART OF 8291908	2
8188	5	4) PART OF 8291908	4
8188	6	4) PART OF 8291908	1
8220	7	4) PART OF 8291908	1
8260	8	70 61 559	20
8300	10	82 90 124	1
8320	10	82 90 132	1
8340	11	82 90 798	1
8360	11	82 90 306	1
8380	12	82 90 223	1
8420	12	82 90 231	1
8460	13	82 90 421	1
8480	14	82 90 470	1
8500	14	82 90 488	1
8520	15	82 90 439	1
8540	15	82 90 447	1
8560	16	82 90 165	2
8580	17	82 90 552	1
8600	18	82 90 660	1
8620	18	82 90 678	1
8720	20	82 90 686	1
8740	21	82 91 718	1
8800	22	82 91 742	1
8840	23	82 90 728	1
8880	28	82 91 973	4, 11), B2
8900	29	82 90 801	4, 11)
8920	30	82 90 256	4, 11)
8940	31	82 90 330	4, 11)
8960	32	82 90 264	4, 11)
8980	33	82 90 371	4, 11)
9000	34	82 90 520	4, 11)
9020	35	82 90 538	4, 11)
9040	36	82 90 405	4, 11)
9060	37	82 91 288	11)
9080	38	82 90 173	4, 11)
9100	39	82 91 270	11)
9120	44	82 90 389	4, 11), B2
9140	45	82 91 320	11), B2
9160	46	82 91 338	11), B2
9220	47	82 91 346	11), B2
9240	48	82 91 361	B2
9260	49	82 91 379	11), B2
9280	50	82 91 387	11), B2
9300	55	82 90 272	4, 11), B2
9320	56	82 90 694	4, 11)
9340	57	82 90 546	4, 11)
9360	58	82 90 702	4, 11)
9380	59	82 90 280	4, 11)

4 Also for Saab 95/96
11. Class A 1 as a separate tool

MASTER INDEX

- 0 General
 - 1 Tools
 - 2 Engine
 - 3 Electrical system, instruments
 - 4 Transmission
 - 5 Brakes
 - 6 Front assembly, steering
 - 7 Suspension, wheels
 - 8 Body
 - 9 Tool
 - 10 Labels
 - 10 Numerical register
- 1 GROUP INDEX
- Special tools classifying
 - Special tools, engine part 1.
 - Special tools, engine part 2.
 - Special tools, engine part 3.
 - Special tools, engine part 3A1
 - Special tools, transmission (man. gear box) part 1.
 - Special tools, transmission (man. gear box) part 2.
 - Special tools, transmission (man. gear box) part 3.
 - Special tools, chassis part 1.
 - Special tools, chassis, part 2.
 - Special tools, car body
 - Special tools, miscellaneous

Tools
Miscellaneous

Verktyg
Övriga

1-C06

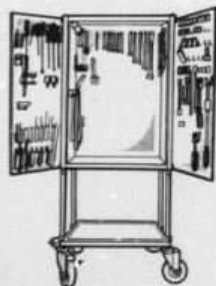
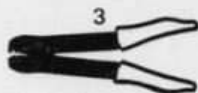
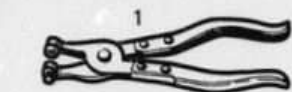
QSN	Part No./Art nr	Notes/Anmärkning	Qty./Antal	Description	Swedish
9039	78 43 303	4), A 1	1	Pliers, hose clamp	Tång, slangklamra
9040	78 40 937	4), A 1	1	Pliers for splice crimping	Tång för kontaktpressning
9080	78 60 695	4), A 1	1	Pliers for uninsulated cable terminal	Tång för oisolerade kabelskor
9126	78 60 703	4), A 1	1	Pliers for uninsulated douglas plug	Tång för oisolerade rundstift
9186	85 80 029	2), A 2	1	Holder, rotor	Hållare, rotor
9206	89 94 782		X	Grease, front wheel brake	Fett, framhjulsbroms
9240	84 86 276		X	Grease, door lock	Fett, dörråls
9250	88 16 908	45/3006624 COMPLETE WITH HANDTOOLS	X	Tool trolley	Verktygsvagn

MASTER INDEX

- 0 General
- 1 Tools
- 2 Engine
- 3 Electrical system, instruments
- 4 Transmission
- 5 Brakes
- 6 Front assembly, steering
- 7 Suspension, wheels
- 8 Body
- 9 Tool, labels
- 10 Numerical register

1 GROUP INDEX

- Special tools classifying
- Special tools, engine part
- Special tools, engine part
- Special tools, engine part
- Special tools, engine part
- Special tools, transmission (man. gear box) part 1.
- Special tools, transmission (man. gear box) part 2.
- Special tools, transmission (man. gear box) part 3.
- Special tools, chassis part 1.
- Special tools, chassis, part 2.
- Special tools, car body
- Special tools, miscellaneous



8

F2456 - 90

2. Also for automatic transmission
4. Also for Saab 95/96

SAAB 90 M85-87 1990-02 F2456 01-029