



Motor
Engine
Motor
Moteur
Motor

Engine

Motor

1-D02

0000
0020
0040
0060
0080
0100
0120
0140
0160
0180
0200
0220
0240
0260
0280
0300
0320
0340
0360
0380
0400
0420
0440
0460
0480
0500
0520
0540
0560
0580
0600
0620
0640
0660
0680
0700
0720
0740
0760
0780
0800
0820
0840
0860
0880
0900
0920
0940
0960
0980
1000
1020
1040
1060
1080
1100
1120
1140
1160
1180
1200
1220
1240
1260
1280
1300
1320
1340
1360
1380
1400
1420
1440
1460
1480
1500
1520
1540
1560
1580
1600
1620
1640
1660
1680
1700
1720
1740
1760
1780
1800
1820
1840
1860
1880
1900

TABLE OF CONTENTS

Engine body			
Engine suspension	2 : 5	1-D06	
Cylinder head	2 : 7	1-D08	
Cylinder block	2 : 11	1-D12	
Short engine	2 : 13	1-D14	
Transmission	2 : 15	1-D16	
Crankshaft, piston, etc	2 : 17	1-D18	
Lubrication system			
Oil pump, oil filter	2 : 19	1-D20	
Fuel system			
Carburetor SOLEX	2 : 21	1-D22	
Carburetor PERBURG	2 : 25	1-E02	
Air cleaner	2 : 27	1-E04	
Fuel pump	2 : 29	1-E06	
Fuel tank	2 : 31	1-E08	
Inlet and exhaust system			
Inlet manifold, etc	2 : 33	1-E10	
Exhaust manifold, etc	2 : 35	1-E12	
Exhaust gas recirculation (EGR)	2 : 37	1-E14	
Mufflers, exhaust pipe, etc	2 : 39	1-E16	
Cooling system			
Radiator, fan, etc	2 : 41	1-E18	
Water pump	2 : 43	1-E20	
Thermostat	2 : 45	1-E22	
Engine control			
Accelerator control, etc	2 : 47	1-E24	
Complete sets			
Engine	2 : 49	1-F02	

INNEHÅLLSFÖRTECKNING

Motor kropp			
Motorupphängning	2 : 5	1-D06	
Cylinderhuvud	2 : 7	1-D08	
Cylinderblock	2 : 11	1-D12	
Grundmotor	2 : 13	1-D14	
Transmission	2 : 15	1-D16	
Vevasel, kolv, etc	2 : 17	1-D18	
Smörjsystem			
Oljepump, oljefilter	2 : 19	1-D20	
Bränslesystem			
Förgasare SOLEX	2 : 21	1-D22	
Förgasare PERBURG	2 : 25	1-E02	
Luftrenare	2 : 27	1-E04	
Bränslepump	2 : 29	1-E06	
Bränsletank	2 : 31	1-E08	
Inlopps- och avgassystem			
Inloppsrör, etc	2 : 33	1-E10	
Avgassamlare, etc	2 : 35	1-E12	
Avgasrecirkulation (EGR)	2 : 37	1-E14	
Ljuddämpare, avgasrör, etc	2 : 39	1-E16	
Kylesystem			
Kylare, fläkt, etc	2 : 41	1-E18	
Kylvätskepump	2 : 43	1-E20	
Termostater	2 : 45	1-E22	
Motorreglage			
Gasreglage	2 : 47	1-E24	
Satser			
Motor	2 : 49	1-F02	

MASTER INDEX

- 0 General
- 1 Tools
- 2 Engine
- 3 Electrical system, Instruments
- 4 Transmission
- 5 Brakes
- 6 Front assembly, Steering
- 7 Suspension, Wheels
- 8 Body
- 9 Tool
- 10 Numerical register

2 GROUP INDEX

- Engine body
- Lubrication system
- Fuel system
- Inlet and exhaust system
- Cooling system
- Engine control
- Complete sets

Engine

Motor

1-D03

INHALTSVERZEICHNIS

Motorumpf		
Motoraufhängung	2 : 5	1-D06
Zylinderkopf	2 : 7	1-D08
Zylinderblock	2 : 11	1-D12
Grundmotor	2 : 13	1-D14
Steuertrieb	2 : 15	1-D16
Kurbelwelle, Kolben, usw.	2 : 17	1-D18
Schmierölsystem		
Ölpumpe, Ölfilter	2 : 19	1-D20
Kraftstoffsystem		
Vergaser SOLEX	2 : 21	1-D22
Vergaser PERBURG	2 : 25	1-E02
Luftfilter	2 : 27	1-E04
Kraftstoffpumpe	2 : 29	1-E06
Kraftstofftank	2 : 31	1-E08
Einlass- und Auspuffsystem		
Einlassrohr, usw., Vergasermotor	2 : 33	1-E10
Auspuffkrümmer, usw.	2 : 35	1-E12
Abgasrekulation (EGR)	2 : 37	1-E14
Geräuschdämpfer, Auspuffrohr, usw.	2 : 39	1-E16
Kühlsystem		
Kühler, Lüfter, usw.	2 : 41	1-E18
Wasserpumpe	2 : 43	1-E20
Thermostat	2 : 45	1-E22
Motorbedienungsorgane		
Gaspedal	2 : 47	1-E24
Komplete sätze		
Motor	2 : 49	1-F02

TABLE DE MATIERES

Corps de moteur		
Supports de moteur	2 : 5	1-D06
Culasse	2 : 7	1-D08
Bloc-cylindres	2 : 11	1-D12
Moteur de base	2 : 13	1-D14
Distribution	2 : 15	1-D16
Vilebrequin, pistons, etc.	2 : 17	1-D18
Système de graissage		
Pompe à huile, filtre à huile	2 : 19	1-D20
Système de carburant		
Carburateur SOLEX	2 : 21	1-D22
Carburateur PERBURG	2 : 25	1-E02
Epurateur d'air	2 : 27	1-E04
Pompe à essence	2 : 29	1-E06
Réservoir d'essence, conduites à essence, moteur à carburateur	2 : 31	1-E08
Système d'admission et d'échappement		
Collecteur d'admission, etc., moteur à carburateur	2 : 33	1-E10
Collecteur d'échappement, etc.	2 : 35	1-E12
Recyclage des gaz d'échappement (EGR)	2 : 37	1-E14
Silencieux, tuyau d'échappement, etc.	2 : 39	1-E16
Système de refroidissement		
Radiateur, ventilateur	2 : 41	1-E18
Pompe à eau	2 : 43	1-E20
Thermostat	2 : 45	1-E22
Commandes du moteur		
Commande d'accélérateur	2 : 47	1-E24
Jeux complets		
Motor	2 : 49	1-F02

Engine

Motor

1-D04

SUMARIO

Cuerpo del motor		
Soportes del motor	2 : 5	1-D06
Culata	2 : 7	1-D08
Bloque de cilindros	2 : 11	1-D12
Motor de base	2 : 13	1-D14
Distribución	2 : 15	1-D16
Cigüeñal, pistones, etc.	2 : 17	1-D18
Sistema de engrase		
Bomba de aceite, filtro de aceite	2 : 19	1-D20
Sistema de combustible		
Carburador SOLEX	2 : 21	1-D22
Carburador PERBURG	2 : 25	1-E02
Depurador de aire	2 : 27	1-E04
Bomba de combustible	2 : 29	1-E06
Depósito de combustible	2 : 31	1-E08
Sistema de admisión y de escape		
Colector de admisión, etc., motor de carburador	2 : 33	1-E10
Colector de escape, etc.	2 : 35	1-E12
Recirculation de gases de escape (EGR)	2 : 37	1-E14
Silencioso, tubo de escape, etc.	2 : 39	1-E16
Sistema de refrigeración		
Radiador, ventilador, etc.	2 : 41	1-E18
Bomba de agua	2 : 43	1-E20
Termostato	2 : 45	1-E22
Mandos del motor		
Mando de acelerador	2 : 47	1-E24
Juegos completos		
Motor	2 : 49	1-F02

MASTER INDEX

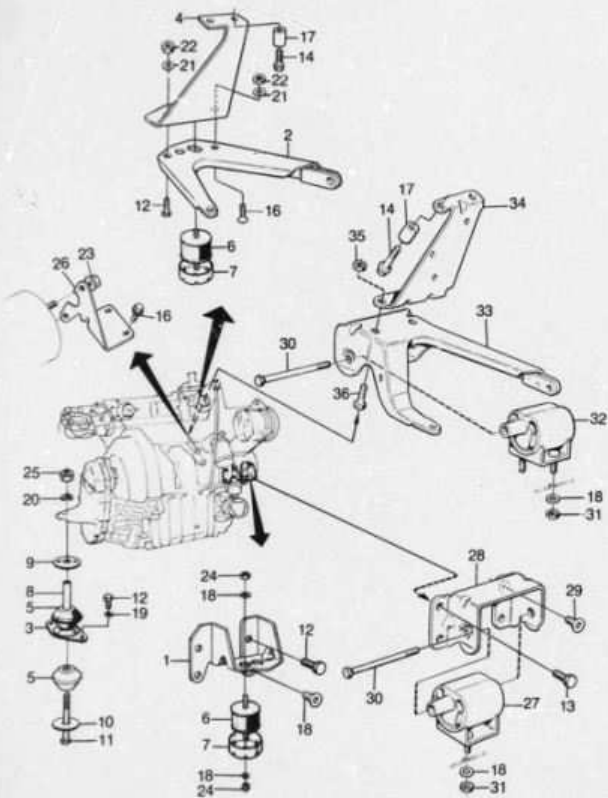
0	General
1	Tools
2	Engine
3	Electrical system, Instruments
4	Transmission
5	Brakes
6	Front assembly, Steering
7	Suspension, Wheels
8	Body
9	Tool, Labels
10	Numerical register
2 GROUP INDEX	
Engine body	
Lubrication system	
Fuel system	
Inlet and exhaust system	
Cooling system	
Engine control	
Complete sets	

1-D06

Engine body
Engine suspension

Motorkropp
Motorupphängning

MASTER INDEX



9301-90

QTY	Part No./An nr	Notes, Anmärkning	Qty./Antal	Description	Swedish
0010	1	83 39 581	14), LH	1 Engine support	Motorfäste
0020	2	83 18 719	14), RH	1 Engine support	Motorfäste
0030	3	83 35 028		1 Bracket	Fäste
0040	4	83 39 573	14)	1 Engine stay	Motorståg
0050	5	75 47 227	3), (837928 1)	2 Rubber cushion	Gummi-kudde
0060	5	75 47 227	4)	2 Rubber cushion	Gummi-kudde
0070	6	83 15 780	14)	2 Engine cushion	Motor-kudde
0080	7	83 79 358	14)	1 Stopping disk	Anslagskopp
0090	8	83 48 160		1 Spacer sleeve	Datanskytta
0100	9	83 79 289		1 Washer	Bricka
0110	10	83 79 307		1 Washer	Bricka
0120	11	79 03 552		1 Screw	Skruv
0130	12	80 82 935		6 Screw	Skruv
0140	13	79 67 938		2 Screw	Skruv
0150	14	80 83 941		2 Screw	Skruv
0160	16	80 56 186		1 Screw	Skruv
0170	17	83 56 859	14)	2 Sleeve	Hyლა
0180	18	80 73 108	14)	4 Washer	Bricka
0190	19	80 29 985	14)	2 Washer	Bricka
0200	20	79 65 577		1 Washer	Bricka
0210	21	80 29 985		2 Washer	Bricka
0220	22	80 74 106	14)	2 Nut	Mutter
0230	23	79 73 365		2 Nut	Mutter
0240	24	80 29 779	14)	4 Nut	Mutter
0250	25	79 63 416		1 Nut	Mutter
0260	26	75 32 161	(7513823)	1 Stay, starter	Startmotorståg
0270	27	75 47 168	15), LH	1 Engine cushion	Motor-kudde
0280	28	83 23 759	15), LH	1 Engine support	Motorfäste
0290	29	83 16 415	15)	2 Screw	Skruv
0300	30	75 43 432	15)	2 Screw	Skruv
0310	31	80 73 538	15)	2 Nut	Mutter
0320	32	75 47 177	15), RH	1 Engine cushion	Motor-kudde
0330	33	83 24 830	15), RH	1 Engine support	Motorfäste
0340	34	83 23 742	15)	1 Engine stay	Motorståg
0350	35	80 29 779	15)	2 Nut	Mutter
0360	36	80 83 123	15)	2 Screw	Skruv
0370		83 23 809		X Repair kit, engine cushion front	Sats, främre motor-kudde
0380					

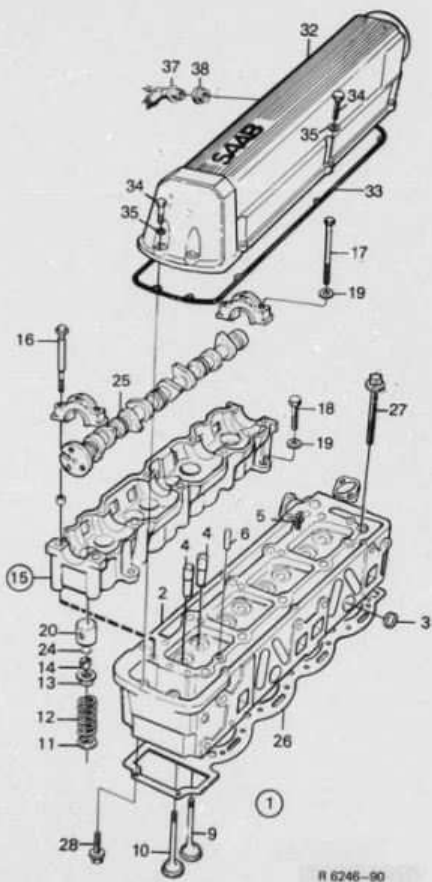
see page 2-059, 1-F 12

- 3. Ch. -86004904.
- 4. Ch. 86004905--
- 14. Ch. -446000578
- 15. Ch. H6000677--

0 General
1 Tools
2 Engine
3 Electrical system, Instruments
4 Transmission
5 Brakes
6 Front assembly, Steering
7 Suspension, Wheels
8 Body
9 Tool, Labels
10 Numerical register

2 GROUP INDEX

Engine body
Lubrication system
Fuel system
Inlet and exhaust system
Cooling system
Engine control
Complete sets



R 6246-90

1-D08

Engine body
Cylinder head

Motorkropp
Cylinderhuvud

Q190	Pos	Part No./An v	Notes/Anmärkning	Q190	Description	Benämning
0025	1	75 21 180		1	Cylinder head assy	Cylinderhuvud kpl med
0028					with valves	ventiler
0045	2	75 21 198		1	Cylinder head	Cylinderhuvud
0050	3	81 23 218		2	Plug	Plugg
0065	4	83 50 344		8	Valve guide	Ventilstyrning
0085	4	75 87 363		8	Valve guide	Ventilstyrning
0070	5	80 34 761		1	Pin	Pinne
0097	6	80 34 662		1	Pin	Pinne
0110	9	83 46 884	INTAKE	4	Valve	Ventil
0120	10	83 62 295	EXHAUST	4	Valve	Ventil
0130	11	83 46 900		8	Retainer lower	Ventilfjäderbricka, undre
0190	12	83 51 800		8	Valve spring	Ventilfjäder
0189	13	83 46 926		8	Retainer	Ventilfjäderbricka
0170	14	82 47 262		16	Lock	Ventilknaster
0180	15	83 08 463		1	Camschaft bearing assy	Kamaxelbrygga kpl
0190	16	83 56 296		2	Screw	Skruv
0200	17	83 48 401		8	Screw	Skruv
0217	18	80 83 933		2	Screw	Skruv
0220	19	80 29 985		10	Washer	Bricka
0230	20	83 46 942		8	Valve depressor	Ventiltryckare
0240	24	83 08 215	1,78 MM	X	Adjusting pallet	Justerbricka
0260	24	83 08 223	1,83 MM	X	Adjusting pallet	Justerbricka
0280	24	83 08 231	1,88 MM	X	Adjusting pallet	Justerbricka
0270	24	83 08 249	1,93 MM	X	Adjusting pallet	Justerbricka
0280	24	83 08 256	1,98 MM	X	Adjusting pallet	Justerbricka
0290	24	83 08 264	2,03 MM	X	Adjusting pallet	Justerbricka
0300	24	83 08 272	2,08 MM	X	Adjusting pallet	Justerbricka
0310	24	83 08 280	2,13 MM	X	Adjusting pallet	Justerbricka
0320	24	83 08 288	2,18 MM	X	Adjusting pallet	Justerbricka
0330	24	83 08 306	2,24 MM	X	Adjusting pallet	Justerbricka
0340	24	75 24 275	2,27 MM	X	Adjusting pallet	Justerbricka
0350	24	75 24 291	2,29 MM (B349169)	X	Adjusting pallet	Justerbricka
0360	24	75 24 317	2,31 MM	X	Adjusting pallet	Justerbricka
0370	24	75 24 333	2,33 MM (B349185)	X	Adjusting pallet	Justerbricka
0380	24	75 24 358	2,35 MM	X	Adjusting pallet	Justerbricka
0390	24	75 24 374	2,37 MM (B349201)	X	Adjusting pallet	Justerbricka
0400	24	75 24 390	2,39 MM	X	Adjusting pallet	Justerbricka
0410	24	75 24 416	2,41 MM (B349227)	X	Adjusting pallet	Justerbricka
0420	24	75 24 432	2,43 MM	X	Adjusting pallet	Justerbricka
0430	24	75 24 457	2,45 MM (B349243)	X	Adjusting pallet	Justerbricka
0440	24	75 24 473	2,47 MM	X	Adjusting pallet	Justerbricka
0450	24	75 24 499	2,49 MM (B349268)	X	Adjusting pallet	Justerbricka
0460	24	75 24 515	2,51 MM	X	Adjusting pallet	Justerbricka
0480	24	75 24 531	2,53 MM (B349284)	X	Adjusting pallet	Justerbricka
0480	24	75 24 556	2,55 MM	X	Adjusting pallet	Justerbricka
0480	24	75 24 572	2,57 MM (B349300)	X	Adjusting pallet	Justerbricka
0500	24	75 24 599	2,59 MM	X	Adjusting pallet	Justerbricka
0510	24	75 24 614	2,61 MM (B349326)	X	Adjusting pallet	Justerbricka
0520	24	75 24 630	2,63 MM	X	Adjusting pallet	Justerbricka
0530	24	75 24 655	2,65 MM (B349342)	X	Adjusting pallet	Justerbricka
0540	24	75 24 671	2,67 MM	X	Adjusting pallet	Justerbricka
0550	24	75 24 697	2,69 MM (B349367)	X	Adjusting pallet	Justerbricka
0560	24	75 24 713	2,71 MM	X	Adjusting pallet	Justerbricka
0570	24	75 24 739	2,73 MM (B349383)	X	Adjusting pallet	Justerbricka
0580	24	75 24 754	2,75 MM	X	Adjusting pallet	Justerbricka
0590	24	75 24 770	2,77 MM (B350042)	X	Adjusting pallet	Justerbricka
0600	24	75 24 796	2,79 MM	X	Adjusting pallet	Justerbricka
0610	24	75 24 812	2,81 MM (B350067)	X	Adjusting pallet	Justerbricka
0620	24	75 24 838	2,83 MM	X	Adjusting pallet	Justerbricka
0630	24	75 24 863	2,85 MM (B350083)	X	Adjusting pallet	Justerbricka
0160	25	93 54 705	-1986	1	Camschaft	Kamaxel
0185	25	75 63 141	1987-	1	Camschaft	Kamaxel
0170	26	75 05 217	-1986	1	Gasket	Packning
0172	26	75 05 037	1987-	1	Gasket	Packning
0186	27	75 18 343		10	Screw	Skruv

MASTER INDEX

- 1 General
- 1 Tools
- 2 Engine
- 3 Electrical system, instruments
- 4 Transmission
- 5 Brakes
- 6 Front assembly, steering
- 7 Suspension, wheels
- 8 Body
- 9 Tool
- 10 Numerical register

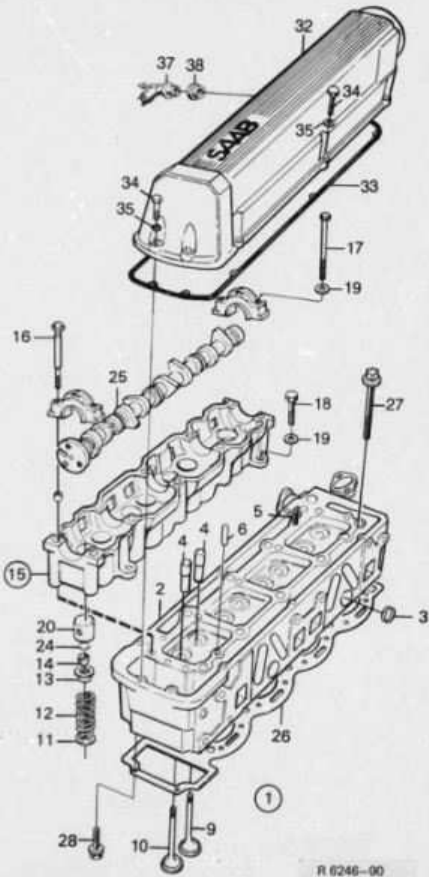
2 GROUP INDEX

- Engine body
- Lubrication system
- Fuel system
- Inlet and exhaust system
- Cooling system
- Engine control
- Complete sets

1-D10

Engine body
Cylinder head

Motor kropp
Cylinderhuvud



R 6246-90

Q150	Part No./Art nr	Descr./Beskrivning	Qty./Antal	Description	Benämning
0190	28	81 25 189	2	Screw	Skruv
0625	32	93 58 045	1	Camshaft cover	Kamaxelkäps
0630	33	93 55 991	1	Gasket	Packning
0640	34	80 87 941	8	Screw	Skruv
0650	35	80 29 951	8	Washer	Bricka
0680	37	83 60 240	1	Nipple	Nippel
0690	38	83 60 257	1	Bushing	Bussning
0692	38	75 15 190	1	Bushing	Bussning
0696					
0900	93 37 213	WHOLE ENGINE	X	Gasket set	Packningsatts
0901		see page 2-049, 1-FD2			
0910	93 37 239	DECARBONIZATION	X	Gasket set	Packningsatts
0911		see page 2-049, 1-FD2			
0920	88 17 728	see page 2-053, 1-F06	X	Valve adjustment set	Ventiljusteratts

MASTER INDEX

- 0 General
- 1 Tools
- 2 Engine
- 3 Electrical system, Instruments
- 4 Transmission
- 5 Brakes
- 6 Front assembly, Steering
- 7 Suspension, Wheels
- 8 Body
- 9 Tool, Labels
- 10 Numerical register

2 GROUP INDEX

- Engine body
- Lubrication system
- Fuel system
- Inlet and exhaust system
- Cooling system
- Engine control
- Complete sets

SAAB

SAAB 90 M85-87

1990-02

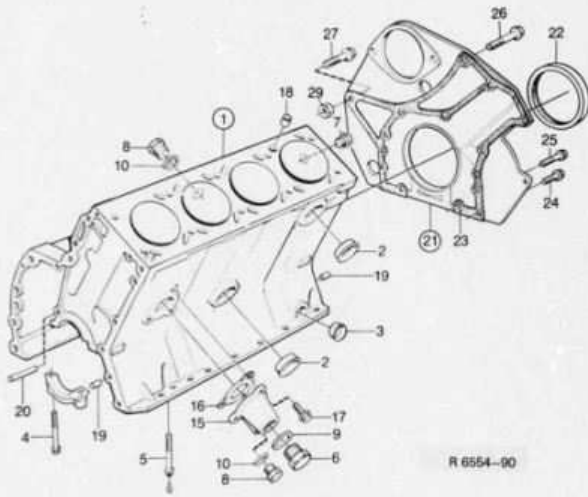
R6246

02-009

1-D12

Engine body
Cylinder block

Motorkropp
Cylinderblock



R 6554-00

Qty./Actual	Description	Quantity
1	Cylinder block Assy	Cylinderblock kpl
2	Seal washer	Tätningbricka
1	Seal washer	Tätningbricka
6	Screw	Skruv
4	Screw	Skruv
1	Plug	Propp
1	Plug	Propp
2	Plug	Propp
1	Gasket	Packning
2	Gasket	Packning
1	Cap	Lock
1	Cap	Lock
1	Gasket	Packning
1	Gasket	Packning
3	Screw	Skruv
2	Guide sleeve	Styrfylia
4	Pin	Pinne
1	Pin	Pinne
1	End plate Assy	Gavelplatta kpl
1	Sealing ring	Tätningring
1	Gasket	Packning
1	Gasket	Packning
9	Screw	Skruv
2	Screw	Skruv
1	Screw	Skruv
1	Screw	Skruv
1	Nut	Mutter

MASTER INDEX

0	General
1	Tools
2	Engine
3	Electrical system,
4	Instruments
5	Transmission
6	Brakes
7	Front assembly,
8	Steering
9	Suspension,
10	Wheels
11	Body
12	Tools
13	Labels
14	Numerical register
15	
16	
17	
18	
19	
20	
21	
22	
23	
24	
25	
26	
27	
28	
29	
30	
31	
32	
33	
34	
35	
36	
37	
38	
39	
40	
41	
42	
43	
44	
45	
46	
47	
48	
49	
50	
51	
52	
53	
54	
55	
56	
57	
58	
59	
60	
61	
62	
63	
64	
65	
66	
67	
68	
69	
70	
71	
72	
73	
74	
75	
76	
77	
78	
79	
80	
81	
82	
83	
84	
85	
86	
87	
88	
89	
90	
91	
92	
93	
94	
95	
96	
97	
98	
99	
100	

SAAB

SAAB 90 M85-87

1990-02

R6554

02-011

1-D14

Engine body
Short engine

Motorkropp
Grundmotor

QTY	Part No./Anv. S	Notes/Anmärkning	Qty. Avail	Description	Swedish
9000	75 60 452	5)	1	Short engine	Grundmotor
9080				.Cylinder block	.Cylinderblock
9100				.Crankshaft	.Vevaxel
9120				.Connecting rod	.Vevstake
9140				.Piston	.Kolv
9160				.Cover, transmission	.Transmissionskåpa
9180				.Transmission	.Transmission
9200				.Cover, flywheel	.Svinghjulkåpa
9220				.Belt pulley	.Remskiva
9240				.Oil pump	.Oljepump
9260				.Oil filter	.Oljefilter
9280				.Water pump	.Vatterpump
		-1985			

MASTER INDEX

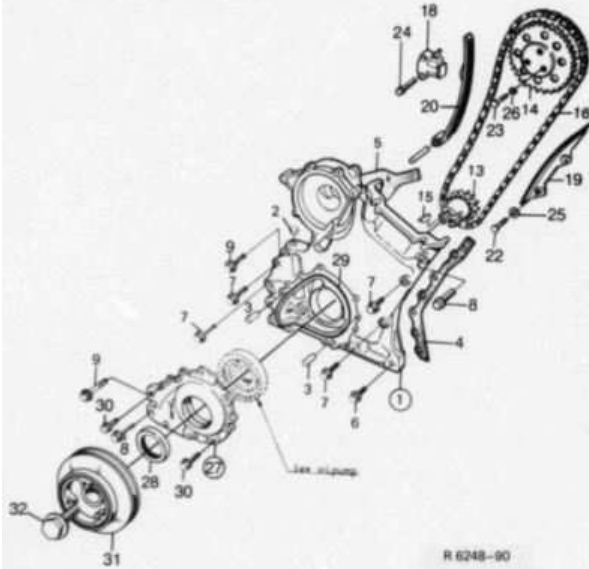
9	General	1-
1	Tools	1-
2	Engine	1-
3	Electrical system, instruments	1-
4	Transmission	1-
5	Brakes	1-
6	Front assembly, steering	1-
7	Suspension, wheels	2-
8	Body	2-
9	Tools	2-
10	Numerical register	2-
2 GROUP INDEX		
	Engine body	1
	Lubrication system	1
	Fuel system	1
	Inlet and exhaust system	1
	Cooling system	1
	Engine control	1
	Complete sets	1

* 5. Belt pulley, water pump and alternator stay must be changed.

Engine body
Transmission

Motorkropp
Transmission

1-D16



Q60	Pos.	Part No./In o/16	Descr./Anmärkning	Övr. Anmär.	Description	Benämning
0005	1	75 19 358			1 Transmission cover assy	Transmissionskåp kpl
0040	2	81 23 176			1 Plug	Plugg
0090	3	80 34 456			2 Pin	Pinne
0090	4	75 09 387	-1986		1 Gasket	Packning
0090	4	75 63 646	1987-		1 Gasket	Packning
0110	5	75 09 375	-1986		1 Gasket	Packning
0110	5	75 63 653	1987-		1 Gasket	Packning
0120	6	83 56 917			1 Screw	Skruv
0150	7	81 25 239			4 Screw	Skruv
0170	8	81 25 241			2 Screw	Skruv
0180	9	81 25 262			2 Screw	Skruv
0210	13	75 18 632			1 Chain wheel	Kedjehjul
0220	14	83 06 747	-1986		1 Chain wheel	Kedjehjul
0220	14	75 63 166	1987-		1 Chain wheel	Kedjehjul
0240	15	83 47 122			1 Key	Ål
0270	16	83 59 779			1 Chain	Kedja
0290	18	83 58 672			1 Chain tensioner	Kedjesträckare
0310	19	75 07 155			1 Chain guide	Kedjestyring
0310	20	83 58 680			1 Chain guide	Kedjestyring
0340	22	80 19 895			2 Screw	Skruv
0380	23	80 82 925			3 Screw	Skruv
0370	24	81 25 064			2 Screw	Skruv
0380	25	80 29 951			2 Washer	Bricka
0400	26	80 29 985			3 Washer	Bricka
0420	27	75 18 548			1 Pump housing assy	Pumphus kpl
0440	28	83 09 354			1 Sealing ring	Tätningring
0440	29	83 69 829			1 O-ring	O-ring
0440	30	81 25 049			8 Flange screw	Flänkskruv
0520	31	75 19 382			1 Belt pulley	Remskiva
0540	32	83 48 534			1 Screw	Skruv
0540					X Set, chain tensioner	Sats, kedjesträckare
0600		88 17 405	see page 2-059, 1-F12			

MASTER INDEX

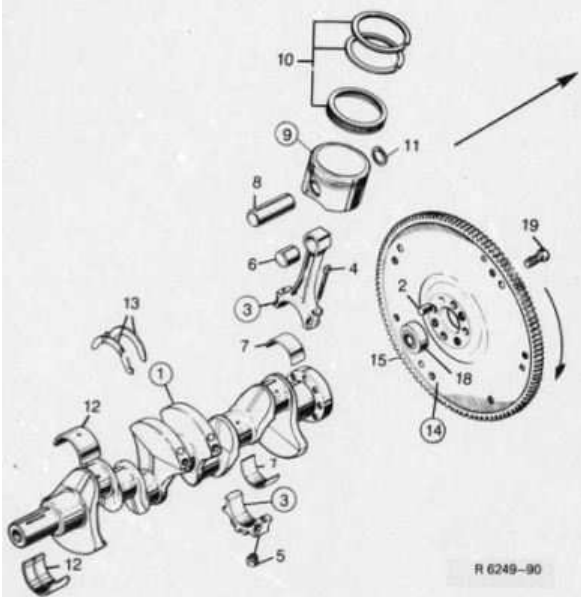
0	General	1-001
1	Tools	1-002
2	Engine	1-003
3	Electrical system,	
4	Instruments	1-004
5	Transmission	1-005
6	Brakes	1-006
7	Front assembly,	
8	Steering	1-007
9	Suspension,	
10	Wheels	2-001
11	Body	2-002
12	Tool	
13	Labels	2-003
14	Numerical register	2-004
2 GROUP INDEX		
1-001	Engine body	1-001
1-002	Lubrication system	1-002
1-003	Fuel system	1-003
1-004	Inlet and exhaust system	1-004
1-005	Cooling system	1-005
1-006	Engine control	1-006
1-007	Complete sets	1-007

1-D18

Engine body
Crankshaft, piston, etc

Motorkropp
Vevaxel, kolv, etc

MASTER INDEX



R 6249-90

Qty	Part No./lot no.	Descr./Anmärkning	Description	Benämning
0011	1 75 24 978	-1985, (7521115)	1 Crankshaft assy	Vevaxel kpl
0020	1 75 24 978	1985-16)	1 Crankshaft assy	Vevaxel kpl
0020	1 75 64 701	17)	1 Crankshaft assy	Vevaxel kpl
0040	2 80 34 902	-1985	1 Pin	Pinne
0050	2 80 34 928	1985-	1 Pin	Pinne
0060	3 75 01 604	16)	4 Connecting rod assy	Vevstake kpl
0070	3 75 62 259	17)	4 Connecting rod assy	Vevstake kpl
0080	4 83 47 106	16)	8 Bolt	Bult
0090	4 75 21 255	17)	8 Bolt	Bult
0100	5 75 00 739	16)	8 Nut	Mutter
0110	5 75 62 275	17)	8 Nut	Mutter
0120	6 83 52 734		4 Bushing	Bussning
0130	7 83 47 650	RED	8 Connecting rod bearing	Vevstakslager
0140	7 83 55 349	BLUE	8 Connecting rod bearing	Vevstakslager
0150	7 83 49 938	UNDERSIZE 0,25MM, YELLOW	8 Connecting rod bearing	Vevstakslager
0160	7 83 55 356	UNDERSIZE 0,25MM, GREEN	8 Connecting rod bearing	Vevstakslager
0170	7 83 49 946	UNDERSIZE 0,50MM, WHITE	8 Connecting rod bearing	Vevstakslager
0180	7 83 55 364	UNDERSIZE 0,50MM, BROWN	8 Connecting rod bearing	Vevstakslager
0190	7 83 49 953	UNDERSIZE 0,75MM	8 Connecting rod bearing	Vevstakslager
0200	7 83 49 961	UNDERSIZE 1,0MM	8 Connecting rod bearing	Vevstakslager
0210	8 83 46 983		4 Piston tap	Kolvstapp
0220	9 75 20 612	CLASS AB	4 Piston assy	Kolv kpl
0230	9 75 20 620	CLASS B	4 Piston assy	Kolv kpl
0240	9 75 20 638	CLASS C	4 Piston assy	Kolv kpl
0250	9 75 20 646	OVERSIZE 0,50MM	4 Piston assy	Kolv kpl
0260	9 75 20 653	OVERSIZE 1,0MM	4 Piston assy	Kolv kpl
0270	10 75 20 513	STD	4 Kit, piston rings	Sats, kolvringer
0280	10 75 20 521	see page 2-057, 1-F10	4 Kit, piston rings	Sats, kolvringer
0290	10 75 20 521	OVERSIZE 0,50MM	4 Kit, piston rings	Sats, kolvringer
0300	10 75 20 521	see page 2-057, 1-F10	4 Kit, piston rings	Sats, kolvringer
0310	10 75 20 539	OVERSIZE 1,0MM	4 Kit, piston rings	Sats, kolvringer
0320	11 83 47 577		8 Lack ring	Lärring
0330	12 83 50 936	RED	10 Main bearing half	Ramägarhalva
0340	12 83 55 315	BLUE	10 Main bearing half	Ramägarhalva
0350	12 83 50 977	UNDERSIZE 0,25MM, YELLOW	10 Main bearing half	Ramägarhalva
0370	12 83 55 323	UNDERSIZE 0,25MM, GREEN	10 Main bearing half	Ramägarhalva
0380	12 83 50 985	UNDERSIZE 0,50MM, WHITE	10 Main bearing half	Ramägarhalva
0390	12 83 55 331	UNDERSIZE 0,50MM, BROWN	10 Main bearing half	Ramägarhalva
0400	12 83 50 993	UNDERSIZE 0,75MM	10 Main bearing half	Ramägarhalva
0410	12 83 51 009	UNDERSIZE 1,0MM	10 Main bearing half	Ramägarhalva
0420	13 83 47 270		2 Thrust washer	Tryckbricka
0430	14 83 82 386		1 Flywheel assy	Swänghjul kpl
0440	15 83 65 098		1 Ring gear	Stjärkrans
0450	18 83 41 38		1 Ball bearing	Kullager
0460	19 75 61 749	-1985, (9314873)	7 Screw	Skruv
0470	19 75 61 749	1985-	7 Screw	Skruv

16. Engine -H20686.
17. Engine H20687-

SAAB original parts
Original reserved

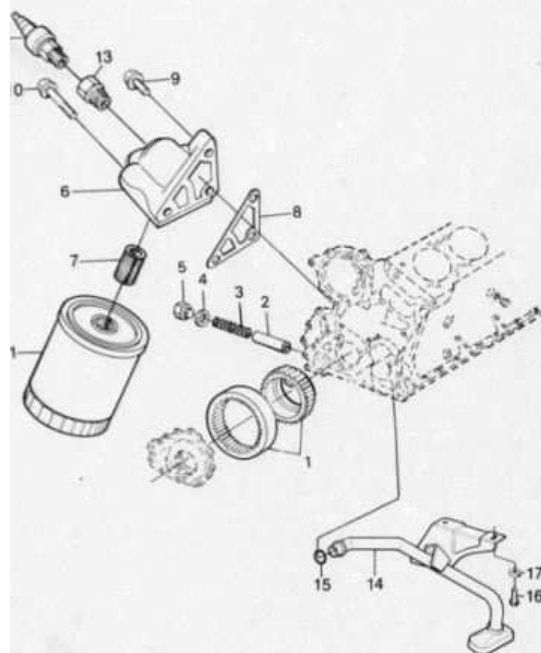
SAAB 90 M85-87

1990-02

R6249

02-017

Index	Category	Page
0	General	1-A0
1	Tools	1-B02
2	Engine	1-D03
3	Electrical system,	
4	Instruments	1-G0
5	Transmission	1-K2
6	Brakes	1-K02
7	Front assembly,	
8	Steering	1-L2
9	Suspension,	
10	Wheels	2-A2
11	Body	2-B2
12	Tool,	
13	Labels	2-G0
14	Numerical register	2-H2
2 GROUP INDEX		
1	Engine body	1-D0
2	Lubrication system	1-D2
3	Fuel system	1-D2
4	Inlet and exhaust system	1-E1
5	Cooling system	1-E1
6	Engine control	1-E2
7	Complete sets	1-F0



R 7365-90

1-D20

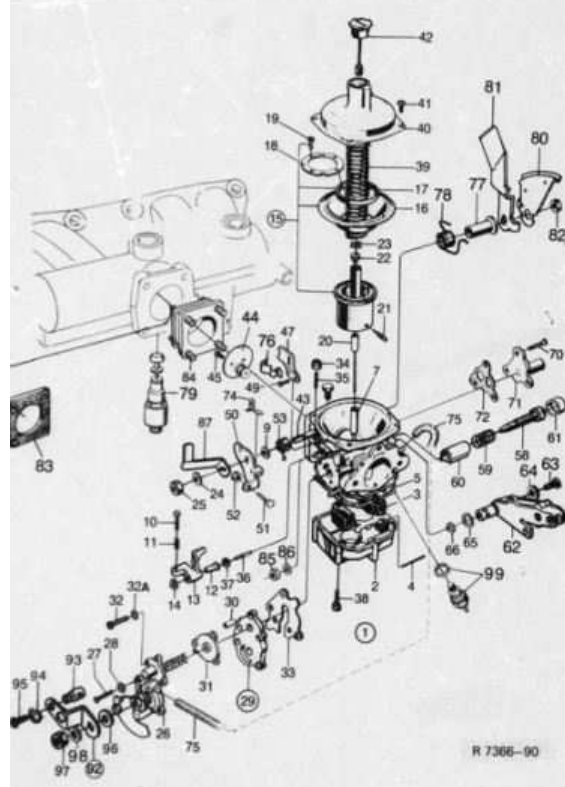
Lubrication system
Oil pump, oil filter

Smörjsystem
Oljepump, oljefilter

Qty	Part No./Alt No.	Name/Anmärkning	Description	Benämning
		see page 2-057, 1-F10		
1	88 17 561		Kit, pump wheel	Sats, pumphjul
1	75 08 328		Piston	Kolv
1	93 09 998		Spring	Fjäder
1	93 55 389		Sealing washer	Tätningssbricka
1	93 10 004		Plug	Plugg
1	75 05 449	-1985	Spacing piece	Mellanstycke
1	75 60 048	1986-	Spacing piece	Mellanstycke
1	83 48 609	-1986	Joint pipe	Skarvrör
1	93 08 180	-1986	Gasket	Packring
1	75 86 433	1987-	Gasket	Packring
1	81 25 197		Screw	Skruv
2	81 25 304		Screw	Skruv
1	93 09 576		Oil filter	Oljefilter
1	93 09 386	-1985	Oil warning contact	Oljetrycksvakt
1	75 22 402	1986-	Oil warning contact	Oljetrycksvakt
1	75 64 248	-1985, USE WITH 7522402	Adapter	Adapter
1	75 26 874		Oil suction line	Oljesugrör
1	79 72 698		O-ring	O-ring
2	80 82 919		Screw	Skruv
2	80 29 985		Washer	Bricka
X	88 16 528	1985	Kit, oil warning contact	Sats, oljetrycksgivare
X	88 17 348	see page 2-059, 1-F12 see page 2-059, 1-F12	Service package	Servicepaket

MASTER INDEX

0	General	1-A02
1	Tools	1-B02
2	Engine	1-D02
3	Electrical system, instruments	1-G02
4	Transmission	1-H02
5	Brakes	1-K02
6	Front assembly, steering	1-L02
7	Suspension, wheels	2-A02
8	Body	2-B02
9	Tool, labels	2-G02
10	Numerical register	2-H02
2 GROUP INDEX		
	Engine body	1-D06
	Lubrication system	1-D20
	Fuel system	1-D22
	Inlet and exhaust system	1-E10
	Cooling system	1-E18
	Engine control	1-E24
	Complete sets	1-F02



1-D22

Fuel system Carburetor SOLEX

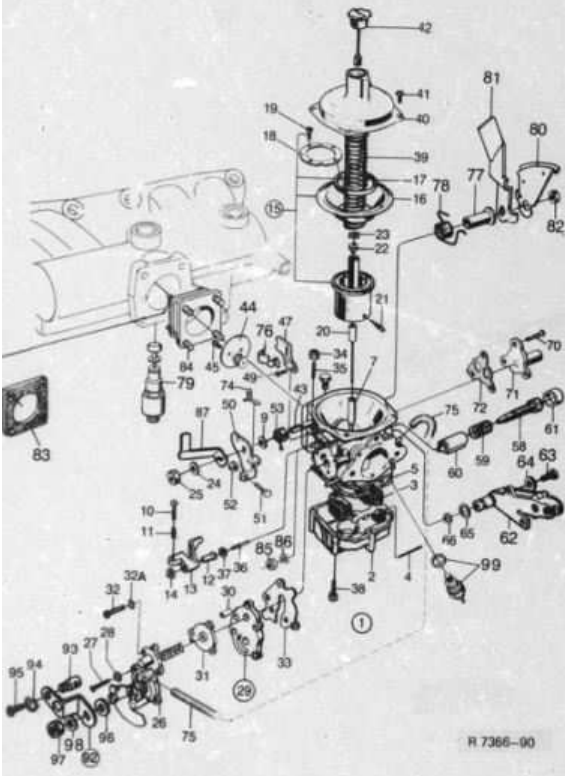
Bränslesystem Förgasare SOLEX

MASTER INDEX

Qty.	Part No./Description	Swedish	Swedish
1	Carburetor assy	Förgasare kpl	1
1	Carburetor assy	Förgasare kpl	1
1	Float chamber	Flottörhus	1
1	Float	Flottör	1
1	Spindle, float	Åxelt, flottör	1
1	Gasket	Packning	1
1	Jet	Munstycke	1
1	Washer	Bricka	1
1	Adjusting screw	Trängningskruv	1
1	Spring	Fjäder	1
1	Bushing	Åsning	1
1	Lever	Hävarm	1
1	Lock ring	Låsering	1
1	Air valve	Förgasarkolv	1
1	Diaphragm	Membran	1
1	Resealer, diaphragm	Hållare, membran	1
1	Lock washer, diaphragm	Låsbricka, membran	1
4	Screw	Skruv	4
1	Fuel needle	Bränslenål	1
1	Screw, fuel needle	Skruv, bränslenål	1
1	Needle adjusting screw	Åxterkruv, bränslenål	1
1	Retaining clip	Låstopp	1
1	Washer	Bricka	1
1	Nut	Mutter	1
1	Choke	Choke	1
2	Screw, choke	Skruv, choke	2
1	Washer	Bricka	1
1	Modulator choke	Modulerande choke	1
3	Guide sleeve	Stythyttis	3
1	Diaphragm	Membran	1
3	Screw	Skruv	3
3	Washer	Bricka	3
1	Gasket	Packning	1
1	Lock nut	Låsmutter	1
1	Adjusting screw	Åxterkruv	1
1	Spindle	Åxelt	1
1	Washer	Bricka	1
8	Screw with washer	Skruv med bricka	8
1	Spring	Fjäder	1
1	Cover	Lok	1
4	Screw with washer	Skruv med bricka	4
1	Oil damper	Dämpskiv	1
1	Spindle, throttle	Spjällåxel	1
1	Throttle	Spjäll	1
2	Screw, throttle	Skruv, spjäll	2
1	Bracket, starter control	Hållare, kabstartreglage	1
1	Bracket	Fäste	1
1	Screw	Skruv	1
1	Stop arm	Stopparm	1
1	Fast setting screw	Snabbträngningskruv	1
1	Nut	Mutter	1
1	Spring, throttle return	Returfjäder	1
1	CO - SCREW	CO - SKRUV	1
1	Spring	Fjäder	1
1	Sleeve	Hylsa	1
1	Plug	Pugg	1
1	Temperature compensator	Temperaturkompensator	1
1	Screw	Skruv	1
2	Washer	Bricka	2
1	Sealing washer	Trängningsbricka	1
1	Sealing washer	Trängningsbricka	1

0	General	1-A02
1	Tools	1-B02
2	Engine	1-C02
3	Electrical system, Instruments	1-G02
4	Transmission	1-I02
5	Brakes	1-K02
6	Front assembly, Steering	1-L02
7	Suspension, Wheels	2-A02
8	Body	2-B02
9	Tool, Labels	2-G02
10	Numerical register	2-H02
2 GROUP INDEX		
Engine body 1-D06		
Lubrication system 1-D28		
Fuel system 1-D22		
Inlet and exhaust system 1-E10		
Cooling system 1-E18		
Engine control 1-E24		
Complete sets 1-F02		

B For cars without EGR
9 For cars with EGR



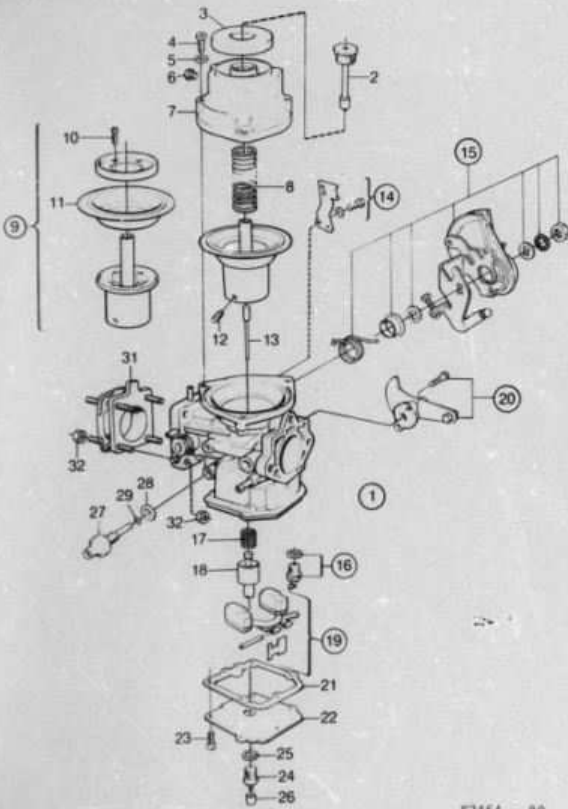
1-D24
Fuel system
Carburetor
SOLEX

Bränslesystem
Förgasare
SOLEX

Part No./Act no.	Notes/Accessories	Qty./Unit	Description	Swedish
0620 70	83 69 654 SW	3	Screw	Skruv
0630 71	83 69 910 SW	1	Spring retainer	Fjädershållare
0640 74	93 10 186	1	Clip	Clip
0650 75	75 21 677	1	Hose	Slang
0660 76	83 52 395	1	Clip	Clip
0670 77	83 15 392	1	Sleeve	Hylsa
0680 78	83 55 028	1	Spring	Fjäder
0690 79	93 15 466	1	Valve	Ventil
0700 80	93 09 261	1	Cam plate	Kamplatta
0710 81	83 13 793	1	Lever	Hävarm
0720 82	80 74 238	1	Nut	Mutter
0730 83	83 68 534	1	Washer, insulating	Isoleringsbricka
0740 84	75 62 077	1	Flange	Fläns
0750 85	80 74 106	4	Nut	Mutter
0760 85	81 25 882	8	Nut	Mutter
0770 85	80 29 985	4	Washer	Bricka
0780 87	93 13 131	1	Lever	Hävarm
0790 92	83 22 141	1	Lever Assy	Hävarm kjä
0800 93	83 22 166	1	Sleeve	Hylsa
0810 94	79 36 016	1	Lockwasher	Spärrytare
0820 95	80 19 531	1	Screw	Skruv
0830 96	83 05 726	1	Washer	Bricka
0840 97	93 13 006	1	Nut	Mutter
0850 98	83 51 405	1	Washer	Bricka
0860 99	83 61 644	1	Needle valve set	Nålventilsats
0870	83 64 234	X	Gasket set	Packningsatts
0880	83 64 242	X	Gasket set	Packningsatts
0890	83 64 255	X	Gasket set	Packningsatts
0900	75 09 128	X	Set, modulator valve	Sats, modulatorventil
0910	88 19 707	X	Rebuilding kit, carburetor	Reparationsatts, förgasare

MASTER INDEX

0	General	1-A01
1	Tools	1-B01
2	Engine	1-D01
3	Electrical system,	
	Instruments	1-G01
4	Transmission	1-H01
5	Brakes	1-K01
6	Front assembly,	
	Steering	1-L01
7	Suspension,	
	Wheels	2-A01
8	Body	2-B01
9	Tool,	
	Labels	2-C01
10	Numerical register	2-H01
2 GROUP INDEX		
1	Engine body	1-D01
2	Lubrication system	1-D02
3	Fuel system	1-D03
4	Inlet and exhaust system	1-E01
5	Cooling system	1-E02
6	Engine control	1-E03
7	Complete sets	1-F01



1-E02

Fuel system Carburetor PIERBURG

Bränslesystem Förgasare PIERBURG

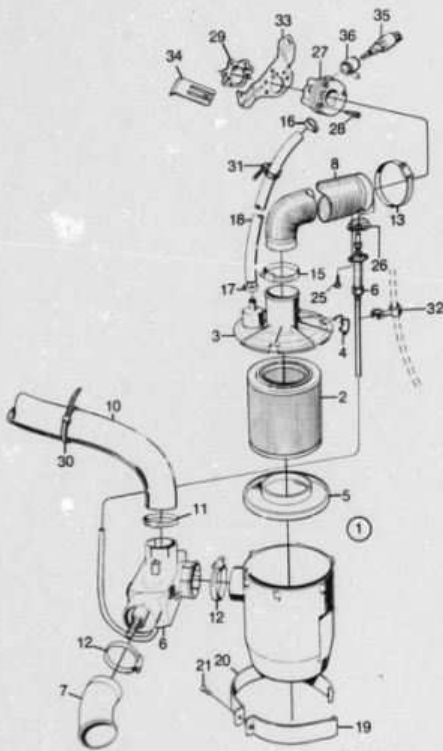
Q480	Qty	Part No. Art nr	Descr./Beskrivning	Description	Benämning	Q1
0020	1	75 81 093		Carburetor Assy	Förgasare kpl	1
0090	2	75 84 725		Oil damper	Dämpkolv	5
0090	3	75 84 717		Cover	Lok	4
0070	4	75 84 691		Screw	Skruv	5
0080	5	75 84 709		Washer	Skiva	5
0090	6	75 84 683		Screw	Skruv	5
0100	7	75 84 675		Carburetor cover	Förgasarlok	6
0130	8	75 84 667		Spring	Fjäder	5
0130	9	75 84 618		Air valve	Förgasarkolv	5
0140	10	75 84 634		Screw	Skruv	5
0180	11	75 84 626		Diaphragm	Membran	1
0180	12	75 84 659		Screw	Skruv	5
0170	13	75 84 642		Fuel needle	Bränslenål	1
0180	14	75 84 733		Bracket Assy	Fäste kpl	6
0190	15	75 84 483		Lever	Håvarm	4
0200	16	75 84 535		Float valve Assy	Ödlösnö kpl	3
0210	17	75 84 519		Spring	Fjäder	1
0220	18	75 84 527		Jet	Munstycke	4
0230	19	75 84 543		Float Assy	Ödlösnö kpl	6
0240	20	75 84 501		Choke Assy	Choke kpl	2
0250	21	75 84 550		Gasket	Packring	3
0260	22	75 84 588		Cover	Lok	6
0270	23	75 84 600		Screw	Skruv	5
0280	24	75 84 576		Adjusting screw	Justerskruv	3
0290	25	75 84 584		O-ring	O-ring	2
0300	26	75 37 006		Plug	Plugg	1
0310	27	75 84 741		Valve Assy	Ventil kpl	5
0320	28	75 84 758		Gasket	Packring	4
0330	29	75 84 766		O-ring	O-ring	5
0340	30	75 84 495		Fuel filter	Bränslefilter	5
0350	31	75 81 473		Flange	Fläns	6
0360	32	81 35 882		Nut	Mutter	6

MASTER INDEX

- 0 General
- 1 Tools
- 2 Engine
- 3 Electrical system, Instruments
- 4 Transmission
- 5 Brakes
- 6 Front assembly, Steering
- 7 Suspension, Wheels
- 8 Body
- 9 Tool, Labels
- 10 Numerical register

2 GROUP INDEX

- Engine body
- Lubrication system
- Fuel system
- Inlet and exhaust system
- Cooling system
- Engine control
- Complete sets



1-E04

Fuel system
Air cleaner

Bränslesystem
Luftrenare

MASTER INDEX

Qty	Part No./Part Name	Description	Benämning	
1	83 17 893	Air cleaner assy	Luftrenare kpl	0
1	93 18 502	Insert	Insats	1
1	83 27 678	J.Cover	J.Lock	2
3	83 18 339	J.Clamp	Klamma	3
1	83 17 919	Insert part	Insatsdel	4
1	93 31 893	Preheater valve unit	Spölbuss	5
1	83 18 263	Snorkel	Snorkel	6
1	93 47 485	Hose	Slang	7
1	75 36 956	Hose	Slang	8
1	93 23 222	Preheater hose	Förvärmarslang	9
1	93 31 190	Preheater hose	Förvärmarslang	10
1	79 70 130	Clamp	Klamma	11
2	79 70 148	Clamp	Klamma	12
1	79 70 163	Clamp	Klamma	13
1	83 27 561	Clamp	Klamma	14
1	79 70 056	Clamp	Klamma	15
1	79 70 064	Clamp	Klamma	16
1	83 26 480	Hose	Slang	17
1	83 21 044	Strap	Spännband	18
1	83 21 051	Strap	Spännband	19
1	80 19 945	Screw	Skruv	20
2	79 22 289	Screw	Skruv	21
1	93 32 057	Washer	Bricka	22
1	83 79 026	Ring fastener	Fästring	23
1	75 80 244	Flange	Fläns	24
3	79 63 442	Screw	Skruv	25
3	80 98 139	Screw	Skruv	26
2	75 06 959	Gasket	Packning	27
1	79 71 906	Strap	Spännband	28
1	79 71 890	Strap	Spännband	29
2	83 45 357	Clip	Clips	30
1	75 20 067	Bracket	Konsoll	31
1	75 80 574	Bracket	Konsoll	32
1	93 62 542	Plate	Platta	33
1	75 81 317	Valve	Ventil	34
1	75 80 582	Nipple	Neppel	35

0 General
1 Tools
2 Engine
3 Electrical system, instruments
4 Transmission
5 Brakes
6 Front assembly, steering
7 Suspension, wheels
8 Body
9 Tool, label
10 Numerical register

2 GROUP INDEX

Engine body
Lubrication system
Fuel system
Inlet and exhaust system
Cooling system
Engine control
Complete sets

6. For cars with Pierburg carburetor

7. For cars with Solex carburetor

SAAB

SAAB 90 M85-87

1990-02

R7786

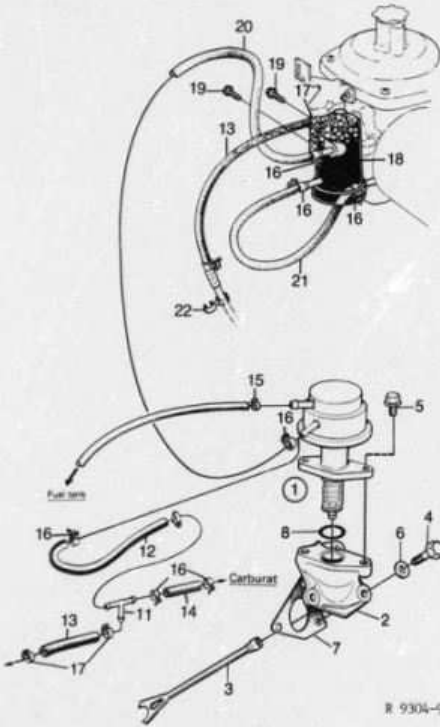
02-027

1-E06

Fuel system
Fuel pump

Bränslesystem
Bränslepump

MASTER INDEX



Qty/Amount	Description	Bränning
0000 1	75 22 733	
0090 2	93 06 705	
0100 3	93 12 927	
0110 4	80 82 968	
0120 5	81 25 163	
0130 6	80 29 985	
0140 7	93 06 721	-1986
0142 7	75 66 458	1987-
0150 8	80 46 617	
0160 11	75 04 384	-1985
0170 12	75 04 152	-1985
0180 13	93 63 284	
0190 14	75 04 111	-1985
0200 15	79 68 308	
0210 16	75 03 758	
0220 17	83 59 275	
0240 18	75 61 483	1986-7)
0250 18	75 86 795	6), (758 1325)
0260 19	75 61 707	1986-7)
0270 19	75 81 323	6)
0280 20	75 04 160	1986-
0290 21	75 61 657	1986-7)
0300 21	75 04 111	6)
0330 22	93 45 257	1987-

Qty/Amount	Description	Bränning
1	Fuel pump assy	Bränslepump-kpl
1	Intermediate piece	Mellanstycke
1	Push rod	Tryckstång
3	Screw	Skruv
2	Screw	Skruv
3	Washer	Bricka
1	Gasket	Packning
1	Gasket	Packning
1	O-ring	O-ring
1	Nepple	Neppel
1	Hose	Slang
1	Hose	Slang
1	Hose	Slang
1	Hose clamp	Slangklemma
4	Hose clamp	Slangklemma
2	Hose clamp	Slangklemma
1	Moisture separator	Ångavskiljare
1	Moisture separator	Ångavskiljare
2	Screw	Skruv
2	Screw	Skruv
1	Hose	Slang
1	Hose	Slang
1	Hose	Slang
1	Clips	Clips

6. For cars with Pierburg carburetor

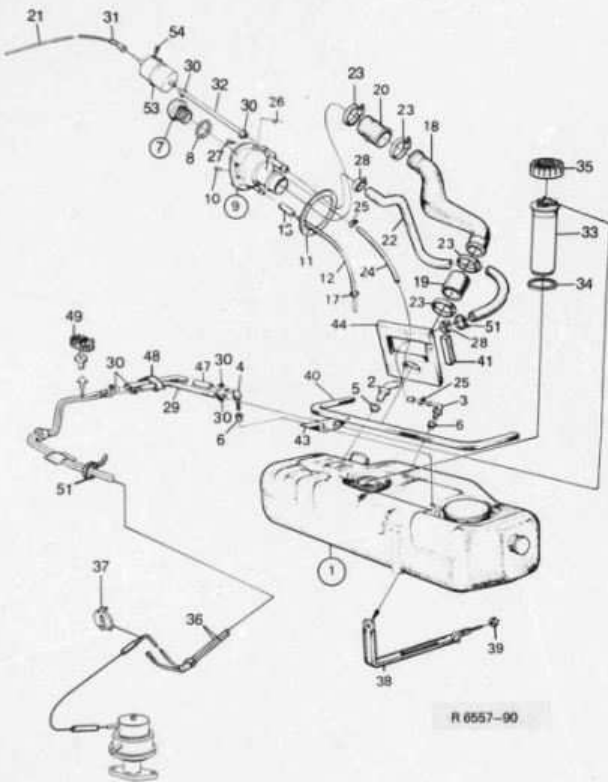
SAAB original parts

SAAB 90 M85-87

1990-02

R9304

02-029



1-E08

Fuel system
Fuel tank, etc

Bränslesystem
Bränsletank, etc

Part No.	Part Name	Description	Swedish
0010	1 75 10 076	1985 Fuel tank assy	Bränsletank kpl
0020	1 75 34 639	1985- Fuel tank assy	Bränsletank kpl
0030	2 93 29 491	1 Hose connection	Slanganslutning
0040	3 93 38 857	1 Hose connection	Slanganslutning
0050	4 93 28 873	1 Hose connection	Slanganslutning
0060	5 75 35 537	1 Bushing	Busning
0070	6 83 25 656	2 Bushing	Busning
0080	7 93 92 705	1 Filter cap assy	Täcklock kpl
0090	8 75 11 751	1 Gasket	Packning
0100	9 75 30 553	1 Filter pipe assy	Påfyllningsrör kpl
0110	10 83 15 475	2 Rubber stop	Gummistopp
0120	11 93 49 838	1 Gasket	Packning
0130	12 83 23 941	1 Drain pipe	Dräneringsrör
0140	13 75 04 137	1 Hose	Slang
0150	17 19 61 329	1 Grommet	Grommetföringsbusning
0160	18 83 39 805	1 Filter pipe	Påfyllningsrör
0170	19 75 25 421	1 Extension hose	Skarvslang
0180	20 75 25 439	1 Extension hose	Skarvslang
0190	21 75 29 920	1 Drain hose	Dräneringsslang
0200	22 75 12 320	1 Ventilation hose	Utluftningsslang
0210	22 75 39 133	1 Ventilation hose	Utluftningsslang
0220	23 93 47 808	4 Hose clamp	Slangklamma
0230	24 93 63 383	1 Ventilation hose	Utluftningsslang
0240	25 83 32 587	2 Hose clamp	Slangklamma
0250	26 83 15 467	4 Clip	Clip
0260	27 79 70 536	4 Screw	Skruv
0270	28 79 70 072	2 Hose clamp	Slangklamma
0280	29 93 63 250	1 Fuel line	Bränsllinje
0290	30 79 68 308	7 Hose clamp	Slangklamma
0300	31 83 34 880	1 Extension hose	Skarvslang
0310	32 93 63 243	1 Hose	Slang
0320	33 93 61 957	1 Fuel level transmitter	Bränselnivågivare
0330	34 93 68 846	1 Gasket	Packning
0340	34 93 92 689	1 Gasket	Packning
0350	35 93 93 950	1 Clamp nut	Överfallsnutt
0360	36 75 27 021	1 Fuel line	Bränsllinje
0370	36 75 34 522	1 Fuel line	Bränsllinje
0380	37 83 28 346	1 Pipe retainer	Rörhållare
0390	38 93 33 600	2 Strap	Spännband
0400	39 80 74 288	2 Nut	Nutt
0410	40 93 49 929	1 Sealing	Tätning
0420	41 86 85 325	2 Sealing	Tätning
0430	43 93 29 855	2 Sealing	Tätning
0440	44 93 49 937	1 Sealing	Tätning
0450	47 93 63 359	1 Hose	Slang
0460	48 93 49 945	2 Clip	Clips
0470	49 79 63 695	2 Clip	Clips
0480	51 79 71 872	3 Strap	Spännband
0490	53 93 19 361	1 Valve	Venti
0500	54 79 22 354	2 Screw	Skruv
0510	93 62 781	X Hose	Slang
0520	88 17 256	X Kit, fuel hose	Sats, bränsleslang

MASTER INDEX

- 0 General
 - 1 Tools
 - 2 Engine
 - 3 Electrical system
 - 4 Instruments
 - 4 Transmission
 - 5 Brakes
 - 6 Front assembly, Steering
 - 7 Suspension, Wheels
 - 8 Body
 - 9 Tool
 - 10 Numerical register
- 2 GROUP INDEX
- Engine body
 - Lubrication system
 - Fuel system
 - Inlet and exhaust system
 - Cooling system
 - Engine control
 - Complete sets

12. Manufactured by 93 62 781.
18. Ch. -H8003050.
19. Ch. H8003050.

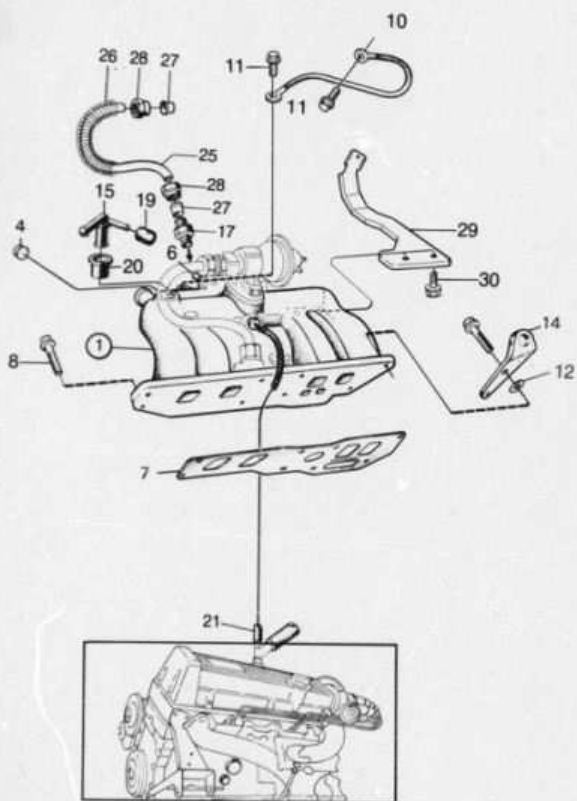
SAAB

SAAB 90 M85-87

1990-02

R6557

Fig. 02-031



R 7787-90

Inlet- and exhaust system
Inlet manifold, etc

Inlopps- och avgassystem
Inloppsrör, etc

1-E10

QTY	Part No./Alt no	Name/Anmärkning	Description	Benämning	
0000	1	75 17 261	1	Inlet manifold	Inloppsrör
0000	1	75 62 440	1	Inlet manifold	Inloppsrör
0000	1	75 17 253	1	Inlet manifold	Inloppsrör
0040	1	75 62 424	1	Inlet manifold	Inloppsrör
0050	1	75 81 440	1	Inlet manifold	Inloppsrör
0080	4	81 23 188	1	Seal washer	Tätningelbricka
0070	6	75 17 097	4	Screw	Skruv
0080	7	75 69 346	1	Gasket	Packning
0090	8	81 25 197	6	Screw	Skruv
0100	9	81 25 205	2	Screw	Skruv
0110	10	75 64 859	1	Cable	Ledning
0120	11	80 97 859	2	Screw	Skruv
0130	12	80 29 995	2	Washer	Bricka
0140	14	75 61 509	1	Lifting eye	Lyftögla
0150	14	75 61 509	1	Lifting eye	Lyftögla
0160	15	93 12 802	1	Nipple	Nippel
0170	17	81 31 989	1	Nipple	Nippel
0180	18	83 08 850	1	Nipple	Nippel
0190	19	83 35 614	1	Plug	Plugg
0200	20	75 15 208	1	Bushing	Bussning
0210	21	75 21 578	1	Noise	Stång
0220	25	75 04 012	9)	Pipe	Rör
0230	26	75 04 046	1	Heat guard	Värmskydd
0240	27	81 32 235	2	Cutting ring	Skärning
0250	28	81 28 999	9)	Nut	Mutter
0260	29	75 64 057	1	Bracket	Konsoll
0270	30	81 25 007	2	Screw	Skruv

8. For cars without EGR
9. For cars with EGR

MASTER INDEX

0	General
1	Tools
2	Engine
3	Electrical system, instruments
4	Transmission
5	Brakes
6	Front assembly, steering
7	Suspension, wheels
8	Body
9	Tool
10	Labels
10	Numerical register
2	GROUP INDEX
	Engine body
	Lubrication system
	Fuel system
	Inlet and exhaust system
	Cooling system
	Engine control
	Complete sets

SAAB Original equipment

SAAB 90 M85-87

1990-02

R7787

02-033

1-E12

Inlet-and exhaust system
Exhaust manifold, etc

Inlopps-och avgassystem
Avgassamlaire, etc

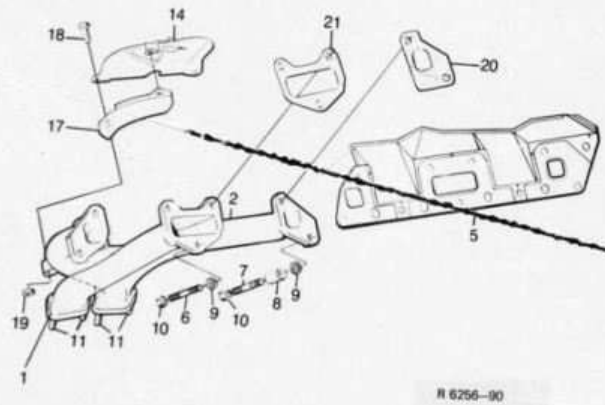
QTY	Part No.	Part Name	Qty	Description	Benämning
0010	1	83 56 420	1	Exhaust manifold	Avgassamlaire
0020	2	75 08 583	1	Exhaust manifold	Avgassamlaire
0030	5	75 61 772	1	Gasket	Packning
0040	5	75 61 772	1	Gasket	Packning
0050	6	75 19 010	3	Screw	Skruv
0060	7	93 50 588	4	Screw	Skruv
0070	8	93 06 812	4	Spacer sleeve	Distanshylsa
0080	9	13 24 144	7	Washer	Bricka
0090	9	80 73 248	7	Washer	Bricka
0100	10	93 06 820	7	Lock nut	Ljåmmutter
0110	11	83 60 943	4	Screw	Skruv
0120	14	83 23 214	1	Preheater casing	Förvärmningskåpa
0130	17	93 29 442	1	Shield	Skärm
0140	18	80 19 978	3	Screw	Skruv
0150	19	80 29 555	1	Nut	Mutter
0160	20	83 61 942	2	Gasket	Packning
0170	21	83 61 859	1	Gasket	Packning
0180		88 17 280	X	Set, screws and gaskets for exhaust manifold	Sats, skruv och packningar för avgassamlaire
0190				see page 2-057, 1-F10	

MASTER INDEX

- 0 General
- 1 Tools
- 2 Engine
- 3 Electrical system, instruments
- 4 Transmission
- 5 Brakes
- 6 Front assembly, steering
- 7 Suspension, wheels
- 8 Body
- 9 Tool, labels
- 10 Numerical register

2 GROUP INDEX

- Engine body
- Lubrication system
- Fuel system
- Inlet and exhaust system
- Cooling system
- Engine control
- Complete sets



R 6256-90

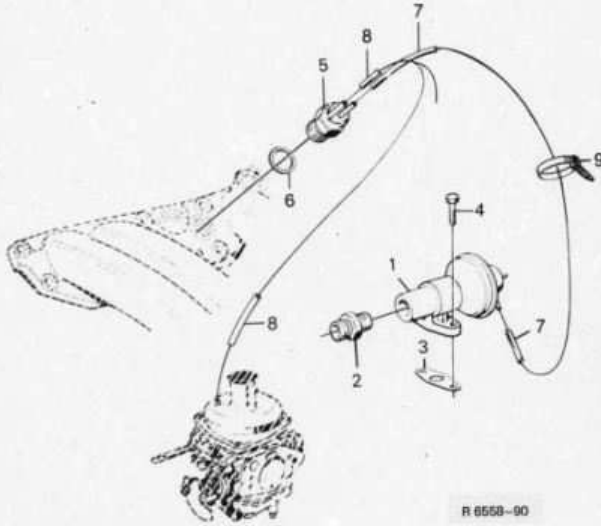
2. To be used together with gasket 93 14 139 at reassembly

1-E14

Inlet-and exhaust system Exhaust gas recirculation (EGR)

Inlopps och avgassystem Avgasrecirkulation (EGR)

Part No.	Part Name	Qty	Description	Swedish Name
0020	1 93 50 224	1	Exhaust gas recirculation valve	Avgasrecirkulationsventil
0040	2 93 51 495	1	Nipple	Nippel
0060	3 83 57 485	1	Gasket	Packning
0080	3 75 07 973	1	Gasket	Packning
0100	4 80 19 929	2	Screw	Skruv
0120	5 93 14 162	1	Air valve	Luftventil
0140	6 81 24 141	1	Gasket	Packning
0160	7 75 04 210	1	Hose	Slang
0180	8 75 04 053	1	Hose	Slang
0200	9 83 53 582	1	Strap	Spännband

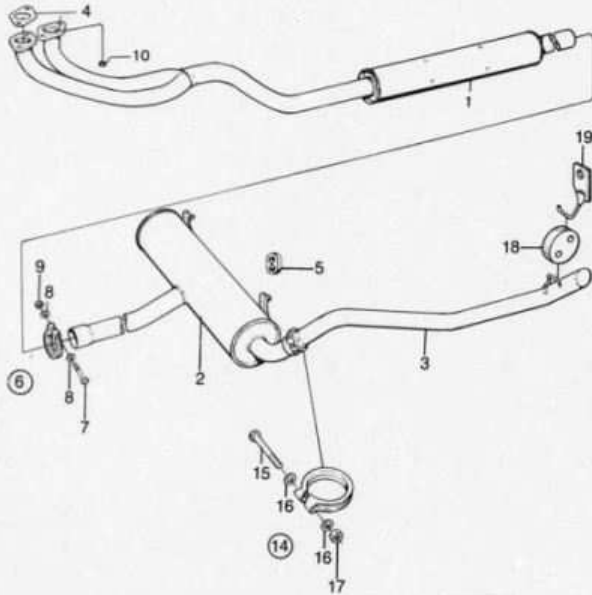


MASTER INDEX

0	General	1-4
1	Tools	1-4
2	Engine	1-4
3	Electrical system,	
	Instruments	1-4
4	Transmission	1-4
5	Brakes	1-4
6	Front assembly,	
	Steering	1-4
7	Suspension,	
	Wheels	1-4
8	Body	2-4
9	Tool	2-4
	Labels	2-4
10	Numerical register	2-4

2 GROUP INDEX

Engine body	1-4
Lubrication system	1-4
Fuel system	1-4
Inlet and exhaust system	1-4
Cooling system	1-4
Engine control	1-4
Complete sets	1-4



R 8227-90

1-E16

Exhaust system
Mufflers, exhaust pipe

Avgassystem
Ljuddämpare, avgasrör

QTY	Part No./Art nr	Access./Anmärkning	Description	Benämning
1	83 65 578	FRONT	Muffler	Ljuddämpare
1	83 26 448	REAR	Muffler	Ljuddämpare
1	93 65 727	10), REAR	Exhaust pipe	Avgasrör
1	75 36 097	11), REAR	Exhaust pipe	Avgasrör
2	83 87 672		Gasket	Packning
2	83 28 105		Rubber suspension	Gummupphängning
1	83 86 450		Clamp assy	Klamma kpl
1	80 84 014		Screw	Skruv
2	83 19 047		Washer	Bricka
1	80 73 942		Nut	Mutter
4	79 67 870		Nut	Mutter
1	83 84 323		Clamp assy	Klamma kpl
1	80 84 006		Screw	Skruv
2	83 19 047		Washer	Bricka
1	80 73 942		Nut	Mutter
1	83 65 404		Rubber suspension	Gummupphängning
1	83 68 093	10)	Suspension yoke	Upphängningsbygel
X	88 17 835	see page 2-053, 1-F06	Kit, front muffler	Sats, främre ljuddämpare
X	88 17 850	10)	Kit, rear muffler	Sats, bakre ljuddämpare
X	88 19 930	11)	Kit, rear muffler	Sats, bakre ljuddämpare
X	88 18 577	see page 2-053, 1-F06	Mounting kit, rear muffler	Monteringsatts, bakre avgassystem
X	88 18 197	see page 2-057, 1-F10	Mounting kit, front muffler	Monteringsatts, främre ljuddämpare
X	75 38 440	10)	Kit, rear suspension exhaust pipe	Sats, bakre upp-hängning avgasrör
X	88 19 187	see page 2-059, 1-F12 see page 2-061, 1-F14	Kit, catalytic converter	Sats, katalytisk reaktor

10. Ch. -06007150
11. Ch. G6007151-

MASTER INDEX

0	General	1-AG
1	Tools	1-BB
2	Engine	1-DD
3	Electrical system, instruments	1-GG
4	Transmission	1-MG
5	Brakes	1-KG
6	Front assembly, steering	1-LB
7	Suspension, wheels	2-AA
8	Body	2-BB
9	Tool	2-CC
10	Labels	2-GG
10	Numerical register	2-HH
2 GROUP INDEX		
1	Engine body	1-D
1	Lubrication system	1-DD
1	Fuel system	1-DD
1	Inlet and exhaust system	1-E
1	Cooling system	1-E
1	Engine control	1-E
1	Complets sets	1-F

1-E18

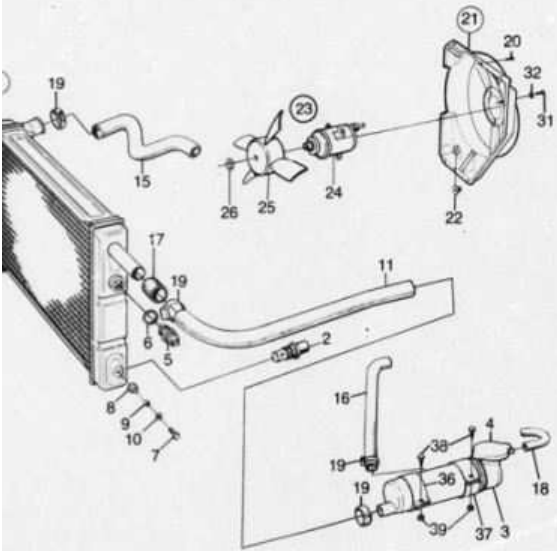
Cooling system
Radiator, fan, etc

Kylsystem
Kylare, fläkt, etc

MASTER INDEX

QTY	Part No./Art nr	Notes/Anmärkning	Description	Swedish	QTY	Part No./Art nr	Description	Swedish
1	75 41 279		Radiator Assy	Kylare kpl	1	75 41 279	Radiator Assy	Kylare kpl
1	93 18 304		Drain cock	Avtappningskran	1	93 18 304	Drain cock	Avtappningskran
1	83 85 890		Expansion tank	Expansionsstank	1	83 85 890	Expansion tank	Expansionsstank
1	83 15 764		Pressure filler cap	Trycklock	1	83 15 764	Pressure filler cap	Trycklock
1	85 69 238		Thermo contact	Termiskontakt	1	85 69 238	Thermo contact	Termiskontakt
1	83 30 268		Gasket	Packning	1	83 30 268	Gasket	Packning
3	80 82 968		Screw	Skruv	3	80 82 968	Screw	Skruv
3	73 11 244		Rubber bushing	Gummbussning	3	73 11 244	Rubber bushing	Gummbussning
3	73 11 251		Spacer sleeve	Distanshylsa	3	73 11 251	Spacer sleeve	Distanshylsa
3	73 11 764		Washer	Bricka	3	73 11 764	Washer	Bricka
1	83 29 088		Hose	Slang	1	83 29 088	Hose	Slang
1	93 41 736		Hose	Slang	1	93 41 736	Hose	Slang
1	93 41 702		Hose	Slang	1	93 41 702	Hose	Slang
1	83 83 945		Rubber ring	Gumming	1	83 83 945	Rubber ring	Gumming
1	83 72 831		Drain hose	Dräneringsslang	1	83 72 831	Drain hose	Dräneringsslang
6	79 70 106		Hose clamp	Slangklemma	6	79 70 106	Hose clamp	Slangklemma
6	79 75 444		Screw	Skruv	6	79 75 444	Screw	Skruv
1	83 19 931		Fan housing Assy	Fläktkåpa kpl	1	83 19 931	Fan housing Assy	Fläktkåpa kpl
1	83 84 174		Bushing	Bussning	1	83 84 174	Bushing	Bussning
1	75 42 772		Cooling fan Assy	Kylfläkt kpl	1	75 42 772	Cooling fan Assy	Kylfläkt kpl
1	75 41 717		Fan motor	Fläktmotor	1	75 41 717	Fan motor	Fläktmotor
1	75 41 725		Fan	Fläkt	1	75 41 725	Fan	Fläkt
1	75 41 733		Clip	Clips	1	75 41 733	Clip	Clips
3	80 59 552		Screw	Skruv	3	80 59 552	Screw	Skruv
3	79 15 564		Washer	Bricka	3	79 15 564	Washer	Bricka
1	83 21 307		Strap	Spännband	1	83 21 307	Strap	Spännband
1	83 21 515		Strap	Spännband	1	83 21 515	Strap	Spännband
2	79 65 544		Screw	Skruv	2	79 65 544	Screw	Skruv
2	80 73 512		Nut	Nötter	2	80 73 512	Nut	Nötter

QTY	Part No./Art nr	Description	Swedish
9		General	1-A02
1		Tools	1-B02
2		Engine	1-D02
3		Electrical system,	
		Instruments	1-G02
4		Transmission	1-H02
5		Brakes	1-K02
6		Front assembly,	
		Steering	1-L02
7		Suspension,	
		Wheels	2-A02
8		Body	2-B02
9		Tool,	
		Labels	2-G02
10		Numerical register	2-H02
2 GROUP INDEX			
		Engine body	1-D06
		Lubrication system	1-D20
		Fuel system	1-D22
		Inlet and exhaust system	1-E10
		Cooling system	1-E18
		Engine control	1-E24
		Complete sets	1-F02

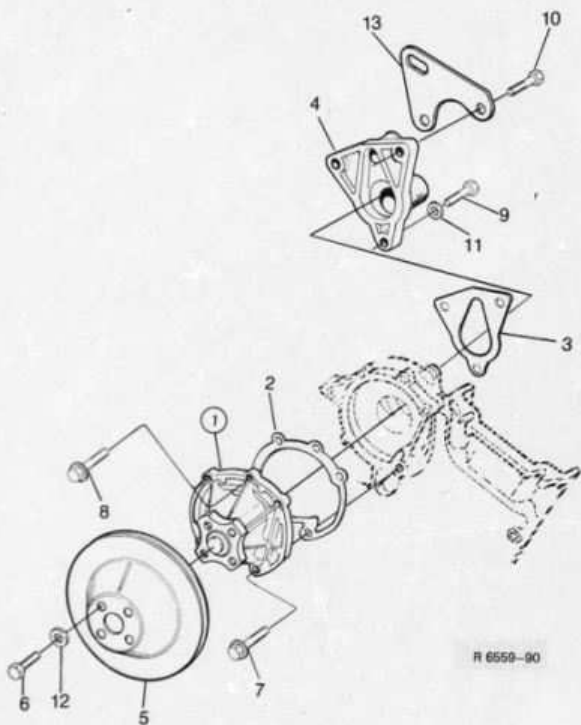


R 9309-90

Cooling system
Coolant pump

Kylsystem
Kylvätskepump

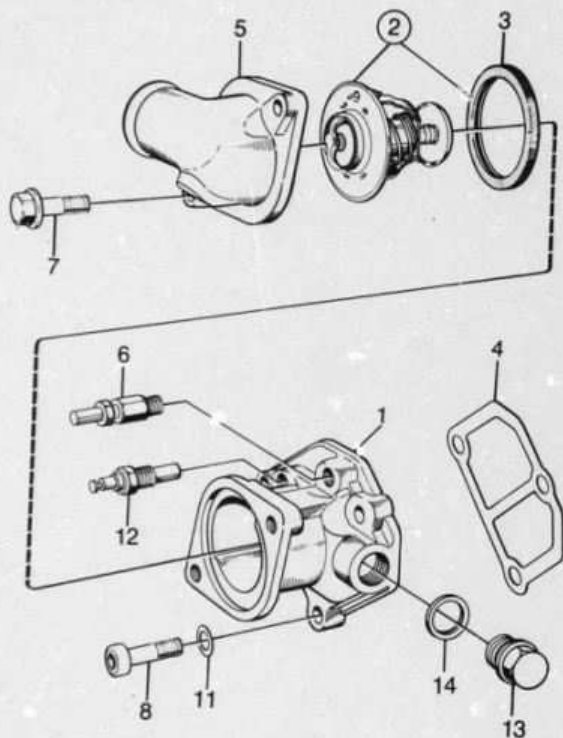
1-E20



Q650	Part No./Act. No.	Notes/Accessories	Qty./Unit	Description	Swedish	
9020	1 88 17 900	see page 2-057, 1-F10.	1	Coolant pump kit	Kylvätskepump sats	2
9120	2 93 53 442	-1986	1	Gasket	Packning	2
9122	2 75 86 516	1987-	1	Gasket	Packning	2
9140	3 93 54 978	-1986	1	Gasket	Packning	2
9142	3 75 83 887	1987-	1	Gasket	Packning	2
9180	4 93 55 181		1	Pump cover	Pumplock	4
9188	5 93 09 402		1	Fan belt pulley	Remskiva	5
9208	6 80 19 903		4	Screw	Skruv	5
9215	7 81 25 262		2	Screw	Skruv	5
9228	8 81 25 187		3	Screw	Skruv	5
9230	9 80 83 933		1	Screw	Skruv	5
9248	10 80 83 941		2	Screw	Skruv	5
9290	11 80 29 985		4	Washer	Bricka	5
9270	12 80 73 223		4	Washer	Bricka	5
9280	13 93 13 222		1	Lifting eye	Liftögga	5

MASTER INDEX

0	General	1-A02
1	Tools	1-B02
2	Engine	1-D02
3	Electrical system, instruments	1-G02
4	Transmission	1-H02
5	Brakes	1-K02
6	Front assembly, steering	1-L02
7	Suspension, wheels	2-A02
8	Body	2-B02
9	Tool, labels	2-G02
10	Numerical register	2-H02
2 GROUP INDEX		
	Engine body	1-D06
	Lubrication system	1-D20
	Fuel system	1-D22
	Inlet and exhaust system	1-E10
	Cooling system	1-E18
	Engine control	1-E24
	Complete sets	1-F02



R 6560-90

Cooling system
Thermostat

Kylsystem
Termostat

1-E22

No	Part No./Art nr	Notes/Anmärkning	Qty/Anst	Description	Benämning
0810	1	93 50 290	1	Thermostat housing	Termostathus
0820	2	93 37 379	1	Kit, thermostat	Sats, termostat
0830		89° C			
0840	3	83 52 692	1	Gasket	Packning
0850	4	75 66 532	1	Gasket	Packning
0860	4	75 61 202	1	Gasket	Packning
0870	4	75 66 532	1	Gasket	Packning
0880	5	83 47 346	1	Cover	Luck
0890	6	93 07 487	1	Drain cap	Kran
0100	7	81 25 189	2	Screw	Skruv
0110	8	79 75 063	3	Screw	Skruv
0120	11	80 29 985	5	Washer	Bricka
0130	12	88 00 914	1	Temperature transmitter	Temperaturgivare
0140	13	93 10 004	1	Plug	Propp
0150	14	83 65 769	1	Gasket	Packning

MASTER INDEX

0	General	1-A02
1	Tools	1-B02
2	Engine	1-D02
3	Electrical system, Instruments	1-G02
4	Transmission	1-K02
5	Brakes	1-K02
6	Front assembly, Steering	1-L02
7	Suspension, Wheels	2-A02
8	Body	2-B02
9	Tools, Labels	2-G02
10	Numerical register	2-H02

2 GROUP INDEX

Engine body	1-D08
Lubrication system	1-D29
Fuel system	1-D22
Inlet and exhaust system	1-E10
Cooling system	1-E18
Engine control	1-E24
Complete sets	1-F02

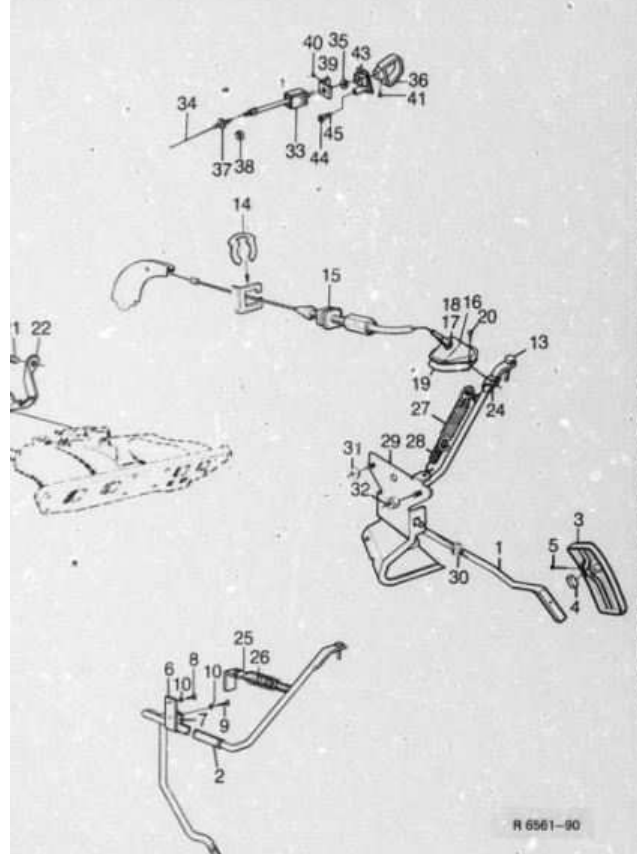
SAAB

SAAB 90 M85-87

1990-02

R6560

02-045



R 6561-90

1-E24

Engine control
Accelerator control, etc

Motorreglage
Gasreglage, etc

Part No.	Part Name	Qty	Description	Swedish
0030	1	89 44 829	Accelerator pedal	Gaspedal
0030	2	89 45 016	Accelerator pedal	Gaspedal
0030	3	71 83 965	Pedal plate, accelerator	Fästa/gaspedal
0030	4	71 83 973	Shim	Mellanlägg
0030	5	79 58 770	Hollow rivet	Hållrikt
0090	6	99 17 445	Bearing	Lager
0100	7	89 17 437	Support neck	Stödack
0110	8	79 22 891	Screw	Skruv
0120	9	79 22 933	Screw	Skruv
0130	10	79 33 823	Washer	Bricka
0180	13	83 78 002	Rubber plug	Gummipåggj
0181	14	75 26 973	Lock ring	Låsring
0187	14	75 33 136	Lock ring	Låsring
0188	15	75 25 736	Wire	Wire
0182	15	75 37 533	Wire	Wire
0110	16	83 13 991	Quemmet cap	Genomföringslopp
0188	17	83 82 723	Washer	Bricka
0186	18	79 16 505	Washer	Bricka
0208	19	83 82 301	Sealing	Tätning
0210	20	79 22 347	Screw	Skruv
0218	21	80 97 675	Screw	Skruv
0211	22	75 21 370	Bracket	Fäste
0229	24	83 19 600	Clamp	Klamme
0230	25	83 16 846	Spring	Fjäder
0240	26	83 16 952	Spring	Fjäder
0250	27	89 33 418	Spring	Fjäder
0280	28	89 38 250	Spring	Fjäder
0270	29	89 44 837	Bracket	Kovaci
0280	30	89 33 392	Bearing	Lager
0290	31	89 38 003	Seal washer	Tätningbricka
0300	32	80 73 512	Lock nut	Låsemutter
0310	33	85 32 442	Cold start control	Kallstartreglage
0310	33	85 59 410	Cold start control	Kallstartreglage
0320	33	85 32 459	Cold start control	Kallstartreglage
0325	34	85 46 780	Washer	Bricka
0340	35	85 00 704	Eye nut	Ringmutter
0360	36	85 22 062	Handle	Handtag
0380	37	79 61 329	Quemmet	Genomföring
0370	38	71 63 074	Rubber plug	Gummipåggj
0380	39	85 37 177	Bracket, cold start control	Fäste, kallstartreglage
0400	39	85 37 185	Bracket, cold start control	Fäste, kallstartreglage
0420	40	79 61 834	Pop rivet	Poprikt
0430	41	80 59 073	Screw	Skruv
0440	43	85 22 054	Bracket	Fäste
0450	44	85 09 597	Bulb socket	Lampförlä
0480	45	85 00 513	Bulb	Gjortampa

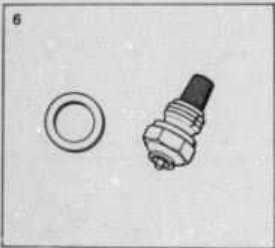
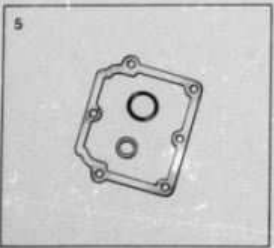
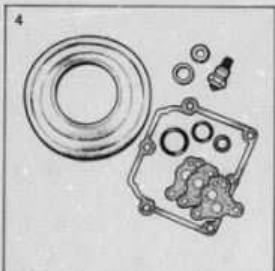
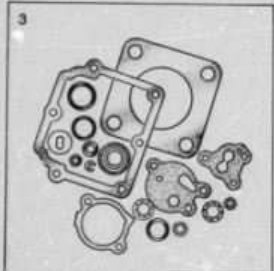
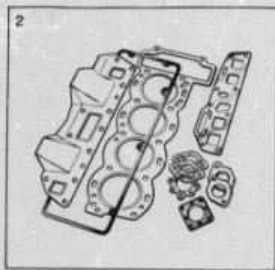
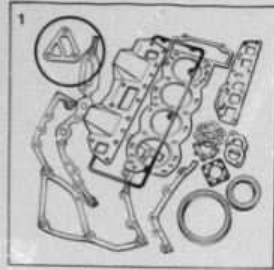
MASTER INDEX

0	General	1-001
1	Tools	1-002
2	Engine	1-003
3	Electrical system	
4	Transmission	1-004
5	Brakes	1-005
6	Front assembly	
7	Suspension	1-006
8	Wheels	2-001
9	Body	2-002
10	Tools	2-003
11	Labels	2-004
12	Numerical register	2-005

2 GROUP INDEX

Engine body	1-008
Lubrication system	1-009
Fuel system	1-010
Inlet and exhaust system	1-011
Cooling system	1-012
Engine control	1-E24
Complete sets	1-F02

6. For cars with Pierburg carburetor.
7. For cars with Solex carburetor.



R 9305-90

1-F02

Complete sets
Engine

Satser
Motor

MASTER INDEX

1000	File	Part No./Art nr	Benämning	Dr. Anmär	Description	Benämning	1
9010	1	93 37 213		X	GASKET SET, ENGINE	PACKNINGSSATS, MOTOR	3
9020		93 50 281		1	.Gasket, cylinder head	.Packing, cylinderlock	2
9030		93 55 991		1	.Gasket, valve cover	.Packing, ventilåpa	1
9040		75 89 039		1	.Gasket, end plate	.Packing, gavelplatta	2
9050		93 50 158		1	.Seal ring	.Tätningerring	2
9060		93 09 334		1	.Seal ring	.Tätningerring	2
9070		91 17 839		1	.Gasket, transmission cover	.Packing, transmissions-åpa	2
9080		91 17 847		1	.Gasket, transmission cover	.Packing, transmissions-åpa	2
9100		75 69 346		1	.Gasket, inlet manifold	.Packing, sugningsrör	2
9110		93 14 139		1	.Gasket, exhaust manifold	.Packing, avgassamlare	2
9120		93 08 180		1	.Gasket, oil pump	.Packing, oljepump	4
9140		83 69 829		1	.O-ring	.O-ring	3
9160		75 88 981		1	.Washer	.Bricka	4
9180		83 59 788		2	.Washer	.Bricka	4
9190		83 74 639		1	.Gasket, air cleaner	.Packing, luftrenare	4
9200		83 36 877		2	.Gasket, air cleaner	.Packing, luftrenare	4
9210	2	93 37 239		X	GASKET SET, DECARBORAZATION	PACKNINGSSATS, SOTNING	2
9220		75 85 037		1	.Gasket, cylinder head	.Packing, cylinderlock	2
9230		93 55 991		1	.Gasket, valve cover	.Packing, ventilåpa	1
9240		75 69 346		1	.Gasket, inlet manifold	.Packing, sugningsrör	2
9250		75 81 772		1	.Gasket, exhaust manifold	.Packing, avgassamlare	2
9260		75 88 981		1	.Washer, insulating	.Isolerbricka	4
9270		75 88 916		2	.Washer, insulating	.Isolerbricka	4
9280		83 74 639		1	.Gasket, air cleaner	.Packing, luftrenare	4
9290		83 36 877		2	.Gasket, air cleaner	.Packing, luftrenare	4
9300	3	83 64 234	(SOLEX)	X	GASKET SET, CARBURETOR	PACKNINGSSATS, FÖRGASARE	4
9310		83 51 348		1	.Washer	.Bricka	4
9320		83 05 419		1	.Washer	.Bricka	4
9340		83 05 336		2	.Washer	.Bricka	5
9350		83 08 652		1	.Gasket	.Packing	4
9360		83 09 098		2	.Washer	.Bricka	5
9370		83 08 054		1	.Washer	.Bricka	4
9380		83 05 072		1	.Washer	.Bricka	4
9390		83 05 773		1	.O-ring	.O-ring	2
9400		83 05 849		1	.Gasket, float chamber	.Packing, flottörkåpa	4
9410		83 05 623		1	.Washer, needle valve	.Bricka, nålventil	4
9420		83 66 643		1	.Gasket	.Packing	4
9430		83 52 387	(R305484)	2	.Washer	.Bricka	5
9440		83 66 650		1	.O-ring	.O-ring	2
9450		83 66 608		1	.Retainer r/g, damp piston	.Hållarring, dämpkolv	4
9460		83 66 576		1	.Washer	.Bricka	4

0 General
1 Tools
2 Engine
3 Electrical system, Instruments
4 Transmission
5 Brakes
6 Front assembly, Steering
7 Suspension, Wheels
8 Body
9 Tool, Labels
10 Numerical register

2 GROUP INDEX

Engine body
Lubrication system
Fuel system
Inlet and exhaust system
Cooling system
Engine control
Complete sets

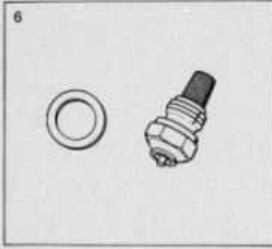
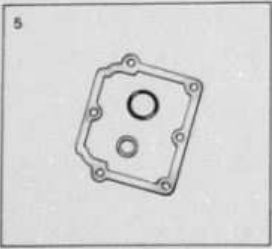
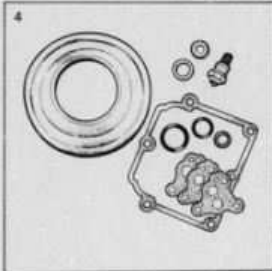
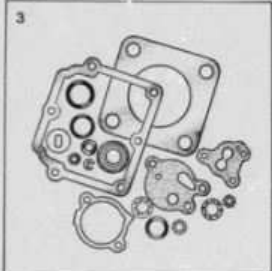
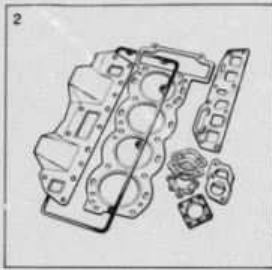
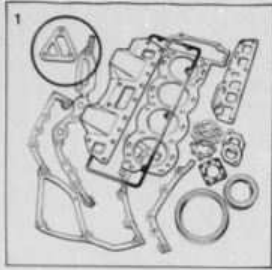
SAAB original parts

SAAB 90 M85-87

1990-02

R9305

02-049



E 9305-90

1-F04

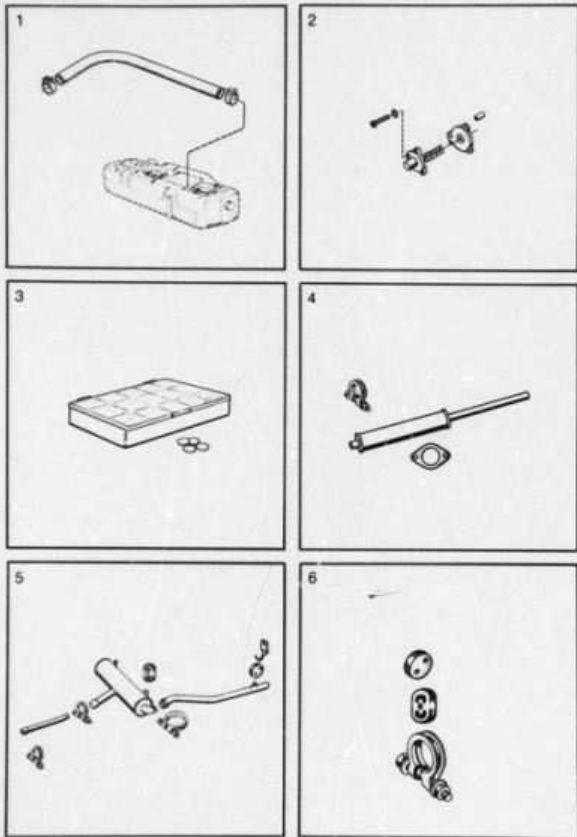
Complete sets
Engine

Satser
Motor

1000	Pos	Part No./den nr	Notes, komponenter	Qty. Antal	Description	Benämning	1
0400	4	83 64 250	(SOLEX)	X	GASKET SET, CARBURETOR	PÅKÖNNINGSATS, FÖRGASARE	4
0500		83 08 652		1	„Gasket	„Packning	4
0610		83 09 064		1	„Lock washer	„Låsbricka	4
0620		83 09 072		1	„Lock washer	„Låsbricka	4
0630		83 05 823		1	„Washer, needle valve	„Bricka, nålventil	4
0640		83 05 575		1	„O-ring	„O-ring	5
0650		83 05 849		1	„Gasket, float chamber	„Packning, flottörhus	4
0660		83 08 878		1	„Diaphragm	„Membran	4
0670		83 52 494		1	„Seal	„Tätning	5
0680		83 51 413		1	„Needle valve	„Nålventil	3
0690	5	83 64 242	(SOLEX)	X	GASKET SET, CARBURETOR	PÅKÖNNINGSATS, FÖRGASARE	4
0610		83 05 823		1	„Washer, needle valve	„Bricka, nålventil	4
0620		83 05 773		1	„O-ring	„O-ring	2
0630		83 05 849		1	„Gasket, float chamber	„Packning, flottörhus	4
0640	6	83 61 644	(SOLEX)	X	NEEDLE VALVE SET, CARBURETOR	NÅLVENTILSATS, FÖRGASARE	3
0650		83 51 413		1	„Needle valve	„Nålventil	3
0660		83 05 823		1	„Washer	„Bricka	4

MASTER INDEX

0	General	1
1	Tools	1
2	Engine	2
3	Electrical system, Instruments	3
4	Transmission	4
5	Brakes	5
6	Front assembly, Steering	6
7	Suspension, Wheels	7
8	Body	8
9	Tool	9
10	Labels	10
	Numerical register	13
2	GROUP INDEX	4
	Engine body	
	Lubrication system	
	Fuel system	
	Inlet and exhaust system	
	Cooling system	
	Engine control	
	Complete sets	



II 9306-90

1-F06

Complete sets
Engine

Satser
Motor

1060	Pos.	Part No./Part No.	Notes/Anmärkning	Qty./Antal	Description	Benämning	
0000	1	88 17 256		X	KIT, FUEL HOSE	SATS, BRÄNSLESLANG	1
0000		93 63 359		1	.Hose	.Slang	4
0040		79 73 431		4	.Hose clamp	.Slangklamma	5
0050							
0060	2	75 09 128	(SOLEX)	X	SET, MODULATOR VALVE	MODULATORVENTILSATS	4
0060		75 09 136		1	.Diaphragm	.Membran	4
0060		93 52 063		1	.Cover	.Lock	6
0100		93 52 055		1	.Spring	.Fjäder	6
0110		75 15 732		3	.Sleeve	.Hylsa	6
0120		79 72 789		3	.Screw	.Skruv	6
0130							
0140	3	88 17 728	(9337502)	X	VALVE ADJUSTMENT SET	VENTILJUSTERINGSATS	2
0180		83 92 003		1	.Plastic box	.Plastlåda	6
0170		83 08 215	1,78 MM	5	.Adjusting pallet	.Justerbricka	22
0180		83 08 223	1,83 MM	5	.Adjusting pallet	.Justerbricka	22
0180		83 08 231	1,88 MM	5	.Adjusting pallet	.Justerbricka	22
0200		83 08 249	1,93 MM	5	.Adjusting pallet	.Justerbricka	22
0210		83 08 256	1,98 MM	5	.Adjusting pallet	.Justerbricka	22
0220		83 08 264	2,03 MM	5	.Adjusting pallet	.Justerbricka	22
0230		83 08 272	2,08 MM	5	.Adjusting pallet	.Justerbricka	22
0240		83 08 280	2,13 MM	5	.Adjusting pallet	.Justerbricka	22
0250		83 08 288	2,18 MM	5	.Adjusting pallet	.Justerbricka	22
0260		83 08 306	2,24 MM	5	.Adjusting pallet	.Justerbricka	22
0270		75 24 275	2,27 MM	5	.Adjusting pallet	.Justerbricka	22
0280		75 24 291	2,29 MM, (8349169)	5	.Adjusting pallet	.Justerbricka	22
0290		75 24 317	2,31 MM	5	.Adjusting pallet	.Justerbricka	22
0300		75 24 333	2,33 MM, (8349185)	5	.Adjusting pallet	.Justerbricka	22
0310		75 24 358	2,35 MM	5	.Adjusting pallet	.Justerbricka	22
0320		75 24 374	2,37 MM, (8349201)	5	.Adjusting pallet	.Justerbricka	22
0330		75 24 390	2,39 MM	5	.Adjusting pallet	.Justerbricka	22
0340		75 24 416	2,41 MM, (8349227)	5	.Adjusting pallet	.Justerbricka	22
0350		75 24 432	2,43 MM	5	.Adjusting pallet	.Justerbricka	22
0360		75 24 457	2,45 MM, (8349243)	5	.Adjusting pallet	.Justerbricka	22
0370		75 24 473	2,47 MM	5	.Adjusting pallet	.Justerbricka	22
0380		75 24 499	2,49 MM, (8349268)	5	.Adjusting pallet	.Justerbricka	22
0390		75 24 515	2,51 MM	5	.Adjusting pallet	.Justerbricka	22
0400		75 24 531	2,53 MM, (8349284)	5	.Adjusting pallet	.Justerbricka	22
0410		75 24 556	2,55 MM	5	.Adjusting pallet	.Justerbricka	22
0420		75 24 572	2,57 MM, (8349300)	5	.Adjusting pallet	.Justerbricka	22
0430		75 24 598	2,59 MM	5	.Adjusting pallet	.Justerbricka	22
0440		75 24 614	2,61 MM, (8349326)	5	.Adjusting pallet	.Justerbricka	22
0450		75 24 630	2,63 MM	5	.Adjusting pallet	.Justerbricka	22
0460		75 24 655	2,65 MM, (8349342)	5	.Adjusting pallet	.Justerbricka	22
0470		75 24 671	2,67 MM	5	.Adjusting pallet	.Justerbricka	22
0480		75 24 687	2,69 MM, (8349367)	5	.Adjusting pallet	.Justerbricka	22
0490		75 24 713	2,71 MM	5	.Adjusting pallet	.Justerbricka	22
0500		75 24 739	2,73 MM, (8349383)	5	.Adjusting pallet	.Justerbricka	22
0510		75 24 754	2,75 MM	5	.Adjusting pallet	.Justerbricka	22
0520		75 24 770	2,77 MM, (8355042)	5	.Adjusting pallet	.Justerbricka	22
0530		75 24 796	2,79 MM	5	.Adjusting pallet	.Justerbricka	22
0540		75 24 812	2,81 MM, (8355067)	5	.Adjusting pallet	.Justerbricka	22
0550		75 24 838	2,83 MM	5	.Adjusting pallet	.Justerbricka	22
0560		75 24 853	2,85 MM, (8355083)	5	.Adjusting pallet	.Justerbricka	22
0570							22

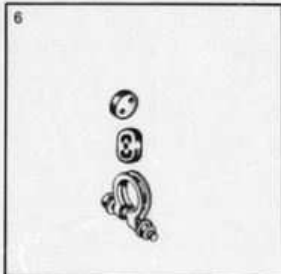
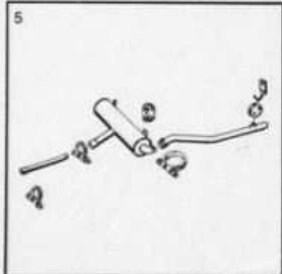
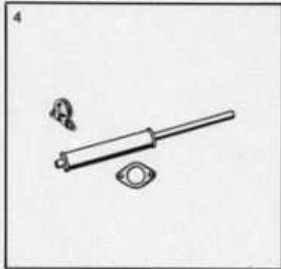
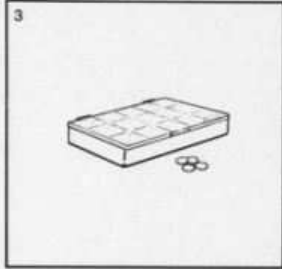
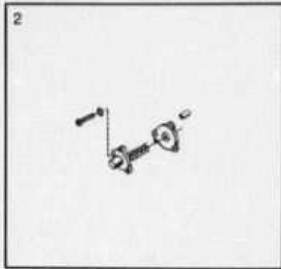
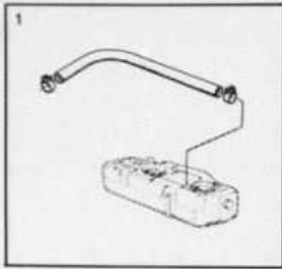
1. Not as separate spare part

MASTER INDEX

- 0 General
- 1 Tools
- 2 Engine
- 3 Electrical system,
- 4 Transmission
- 5 Brakes
- 6 Front assembly,
- 7 Steering
- 8 Suspension,
- 9 Wheels
- 10 Body
- 11 Tool,
- 12 Labels
- 13 Numerical register

2 GROUP INDEX

- 2 Engine body
- 3 Lubrication system
- 4 Fuel system
- 5 Inlet and exhaust system
- 6 Co-ling system
- 7 Engine control
- 8 Complete sets



K 9306-90

1-F08

Complete sets
Engine

Satser
Motor

1060	Part No./Qty	Notes/Accessories	Qty/Assy	Description	Swedish	10
0600	4	88 17 835	X	KIT, FRONT MUFFLER	SATS, FRÄMRE LUDDÄMPARE	1
0600		75 33 615	1	Front muffler	Främre ljuddämpare	1
0610		83 86 450	2	Clamp	Klamma	1
0620		83 87 672	2	Gasket	Fläckning	1
0630				Mounting instruction	Monteringsanvisning	1
0640		75/66 1595				
0650	5	88 17 850	X	KIT, REAR MUFFLER	SATS, BAKRE LUDDÄMPARE	1
0670		75 33 631	1	Muffler	Luddämpare	1
0680		75 33 623	1	Exhaust pipe	Avgasrör	2
0690		83 86 450	2	Clamp	Klamma	1
0700		83 84 323	1	Clamp	Klamma	1
0710		93 28 105	2	Rubber suspension	Gummupphängning	1
0720		93 65 727	1	Exhaust pipe	Avgasrör	1
0730		93 65 404	1	Rubber suspension	Gummupphängning	1
0740		93 68 093	1	Suspension yoke	Upphängningsbrygga	5
0750			1	Mounting instruction	Monteringsanvisning	1
0760		75/66 1595				
0761	5	88 19 930	X	KIT, REAR MUFFLER	SATS, BAKRE LUDDÄMPARE	1
0762		75 33 623	1	Exhaust pipe	Avgasrör	2
0763		75 33 631	1	Muffler	Luddämpare	1
0764		75 36 097	1	Exhaust pipe	Avgasrör	1
0765		83 84 323	1	Clamp	Klamma	1
0766		83 86 450	2	Clamp	Klamma	1
0767		93 28 105	2	Rubber suspension	Gummupphängning	1
0768		93 65 404	1	Rubber suspension	Gummupphängning	1
0769						
0770		88 18 577	X	MOUNTING KIT, REAR	MONTERINGSATS, BAKRE	1
0780				MUFFLER AND PIPE	LUDDÄMPARE OCH RÖR	1
0800		83 86 450	2	Clamp	Klamma	1
0810		83 84 323	1	Clamp	Klamma	1
0820		93 28 105	2	Rubber suspension	Gummupphängning	1
0830		93 65 404	1	Rubber suspension	Gummupphängning	1
		(8386476)				

MASTER INDEX

- 0 General
 - 1 Tools
 - 2 Engine
 - 3 Electrical system, Instruments
 - 4 Transmission
 - 5 Brakes
 - 6 Front assembly, Steering
 - 7 Suspension, Wheels
 - 8 Body
 - 9 Tool-Labels
 - 10 Numerical register
- 2 GROUP INDEX
- Engine body
 - Lubrication system
 - Fuel system
 - Inlet and exhaust system
 - Cooling system
 - Engine control
 - Complete sets

10. Ch. -G6007150
11. Ch. G6007151-

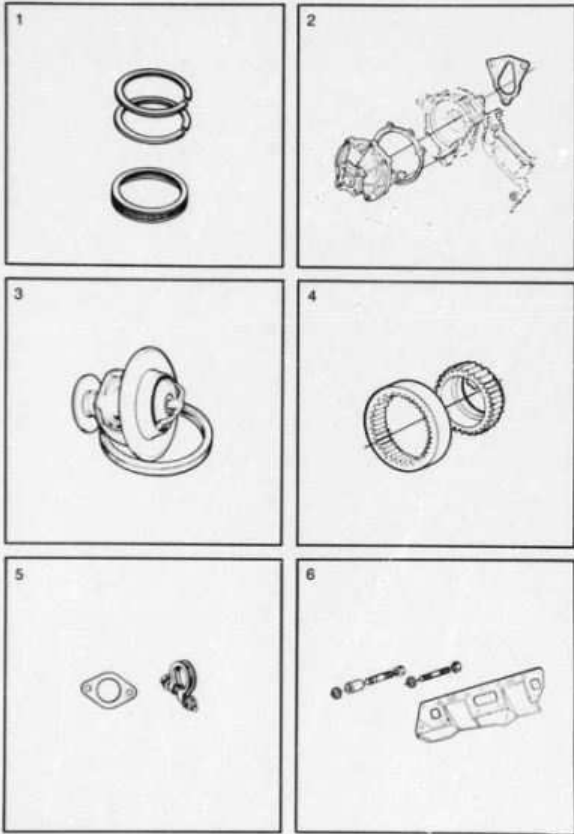
SAAB Original-Accessories

SAAB 90 M85-87

1990-02

R9306

02-055



II 9307-90

1-F10

Complete sets
Engine

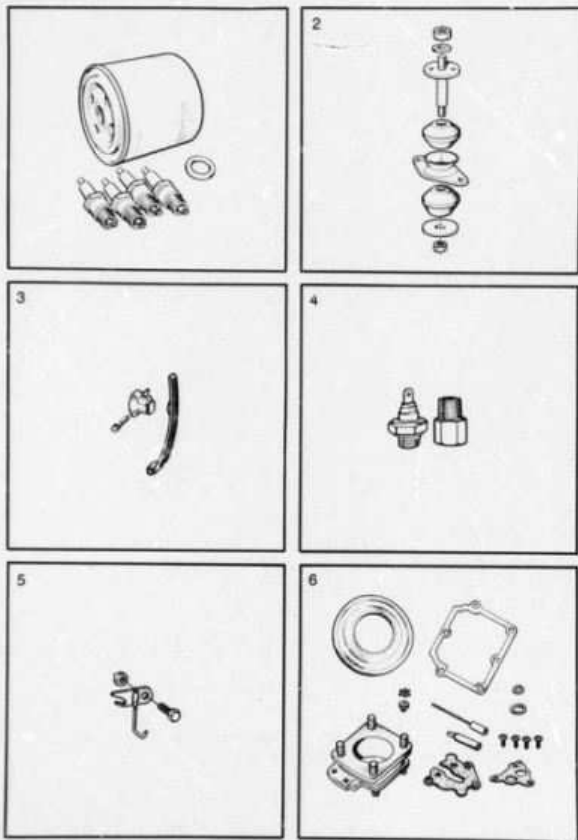
Satser
Motor

1088	Part No./Art nr	Notes/Anmärkning	Qty/Anst	Description	Swedish
9010	75 20 513	STD	X	KIT, PISTON RINGS	KOLVRINGSSATS
9020	83 55 992	1)	1	,Compr. ring, upper	,Komp. ring, övre
9030	83 47 379	1)	1	,Compr. ring, lower	,Komp. ring, nedre
9040	83 49 771	1)	2	,Oil scraper	,Oljeskraper
9050	83 49 789	1)	1	,Spring ring	,Fjädersring
9070	75 20 521	OVERSIZE 0,50 MM	X	KIT, PISTON RINGS	KOLVRINGSSATS
9080	83 56 008	1), OVERSIZE 0,50 MM	1	,Compr. ring, upper	,Komp. ring, övre
9090	83 51 942	1), OVERSIZE 0,50 MM	1	,Compr. ring, lower	,Komp. ring, nedre
9100	83 51 967	1)	2	,Oil scraper	,Oljeskraper
9110	83 51 983	1)	1	,Spring ring	,Fjädersring
9130	75 20 539	OVERSIZE 1,0 MM	X	KIT, PISTON RINGS	KOLVRINGSSATS
9140	83 56 016	1), OVERSIZE 1,0 MM	1	,Compr. ring, upper	,Komp. ring, övre
9150	83 51 959	1), OVERSIZE 1,0 MM	1	,Compr. ring, lower	,Komp. ring, nedre
9160	83 51 975	1)	2	,Oil scraper	,Oljeskraper
9170	83 51 991	1)	1	,Spring ring	,Fjädersring
9190	88 17 900		X	COOLENT PUMP ASSY	KYLVÄTSKEPUMP KPL
9200	75 07 460	1)	1	,Coolent pump	,Kylvätskepump
9210	93 53 442		1	,Gasket	,Packning
9220	93 54 976		1	,Gasket	,Packning
9230					
9240	93 37 379	89° C	X	KIT, THERMOSTAT	SATS, TERMOSTAT
9250	83 14 865		1	,Thermostat	,Termostat
9260	83 52 692		1	,Gasket	,Packning
9270					
9280	88 17 561		X	KIT, IMPELLER, OIL PUMP	SATS, PUMPHJUL FÖR OLJEPUMP
9290	75 15 588		1	,Impeller	,Pumphjul
9300	75 15 596		1	,Impeller	,Pumphjul
9310					
9320	88 18 197		X	MOUNTING KIT, FRONT MUFFLER	MÖNTERINGSSATS, FRÄMRE LUDDÄMPARE
9340	83 86 450		2	,Clamp	,Klarna
9350	83 87 672		2	,Gasket	,Packning
9360					
9370	88 17 280		X	MOUNTING KIT, EXHAUST MANIFOLD	MÖNTERINGSSATS, AVGASSANLÄRE
9380	75 19 010	(9306804)	3	,Screw	,Skruv
9400	75 21 081	ALT. 9306796	1	,Screw	,Skruv
9420	93 50 588		4	,Screw	,Skruv
9430	93 06 820		7	,Nut	,Mutter
9440	93 06 812		4	,Spacer	,Distans
9450	80 73 249		7	,Washer	,Bricska
9460	75 61 772		1	,Gasket	,Packning

1. Not an separate spare part

MASTER INDEX

0	General	1
1	Tools	1
2	Engine	3
3	Electrical system, Instruments	6
4	Transmission	6
5	Brakes	6
6	Front assembly, Steering	6
7	Suspension, Wheels	6
8	Body	6
9	Labels	6
10	Numerical register	6
2 GROUP INDEX		
Engine body		
Lubrication system		
Fuel system		
Inlet and exhaust system		
Cooling system		
Engine control		
Complete sets		



8 9308-90

1-F12

Complete sets
Engine

Satser
Motor

MASTER INDEX

1150	Pos	Part No./Anmärkning	Benämning	Qty/Anmärkning	Description	Benämning	1
0340	1	88 17 348		X	SERVICE PACKAGE	SERVICEPAKET	1
0350		93 09 576		1	.Oil filter	.Oljefilter	1
0360		87 18 439		1	.Gasket	.Packning	1
0370		83 50 076		4	.Spark plug	.Tändstift	1
0380	2	93 23 809		X	REPAIR KIT, ENGINE	SATS, BYTTE FRÄMRE	3
0390		75 47 227		2	CUSHION FRONT	MOTORKUDDE	3
0400		83 35 028		1	.Rubber cushion	.Gummikudde	3
0410		93 23 775		1	.Bracket	.Fäste	6
0420		93 24 765		1	.Washer	.Bricka	4
0430		93 23 791		2	.Nut	.Mutter	5
0440		80 73 108		1	.Screw	.Skruv	4
0450		81 25 064		1	.Washer	.Bricka	5
0460	3	88 17 405		X	KIT, CHAIN TENSIONER	SATS, KEDJESTRÄCKARE	3
0470		93 58 672		1	.Chain tensioner	.Kedjesträckare	3
0480		93 58 680		1	.Chain guide	.Kedjestyrning	3
0490		81 25 064		2	.Screw	.Skruv	3
0500	4	88 18 528		X	KIT, OIL WARNING CONTACT	SATS, OLJETRYCKSGIVARE	3
0510		75 22 402		1	.Oil warning contact	.Oljetrycksgivare	3
0520		75 64 248		1	.Adapter	.Adapter	6
0530	5	75 38 440		X	KIT, REAR SUSPENSION EXHAUST PIPE	SATS, BAKRE UPPHÄNGNING AV GASRÖR	3
0540		75 37 145		1	.Suspension	.Upphängning	5
0550		79 70 353		2	.Screw	.Skruv	5
0560		79 76 620		2	.Locking nut	.Låsmutter	3
0570	6	88 18 767		X	REPAIR KIT, CARBURETOR	REPARATURSATS, FÖRGASARE	6
0580		75 08 203		1	.Gasket	.Packning	4
0590		83 05 849		1	.Gasket	.Packning	4
0600		83 08 852		1	.Screw	.Skruv	5
0610		83 09 064		1	.Washer	.Bricka	4
0620		83 09 072		1	.Washer	.Bricka	4
0630		83 64 192		1	.Clip	.Clips	3
0640		83 65 850		1	.Jet	.Munstycke	4
0650		83 66 312		1	.Fuel needle	.Bränslenål	4
0660		83 08 334		1	.Gasket	.Packning	4
0670		83 69 647		1	.Gasket	.Packning	4
0680		83 88 670		1	.Diaphragm	.Membran	1
0690		93 08 792		1	.Adjusting screw	.Justerskruv	3

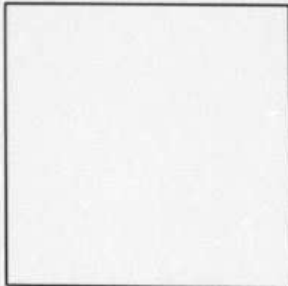
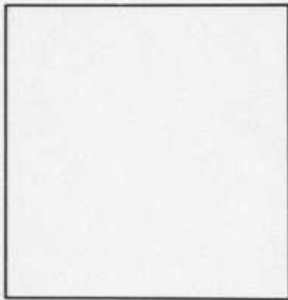
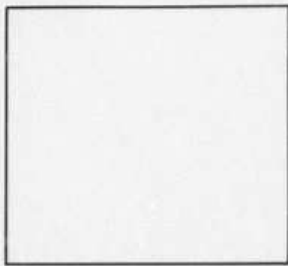
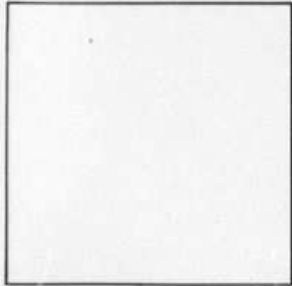
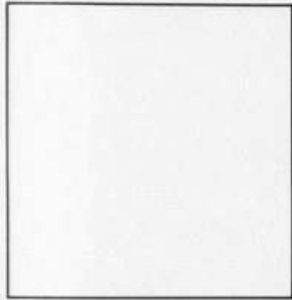
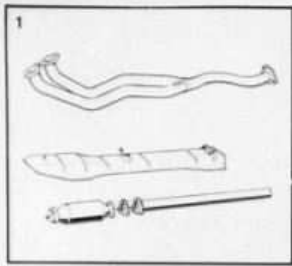
0	General	1
1	Tools	1
2	Engine	1
3	Electrical system, Instruments	1
4	Transmission	1
5	Brakes	1
6	Front assembly, Steering	1
7	Suspension, Wheels	2
8	Body	2
9	Tools, Labels	2
10	Numerical register	2
2 GROUP INDEX		
1	Engine body	1
1	Lubrication system	1
1	Fuel system	1
1	Inlet and exhaust system	1
1	Cooling system	1
1	Engine control	1
1	Complete sets	1

SAAB

SAAB 90 M85-87

1990-02

R9308 02-059



F2457 - 90

1-F14

Complete sets
Engine

Satser
Motor

Code	Pos.	Part No./Art. nr.	Notes/Anmärkning	Qty./Antal	Description	Swedish	
9010	1	88 19 187		X	KIT, CATALYTIC CONVERTER	SATS, KATALYTISREAKTOR	3
9020		40 15 616		1	Exhaust pipe	Avgasrör	4
9030		75 37 764		1	Label	Etikett	2
9040		79 10 540	FRONT	2	Washer	Bricka	5
9050		79 10 557	"ENDAST BLYFRI BENSIN"	3	Washer	Bricka	5
9060		79 22 503	FOR FUEL TANK LID	2	Screw	Skruv	5
9070		79 20 437		2	Cage nut	Körgrunner	5
9090		80 74 106		13	Nut	Mutter	5
9100		80 83 941		3	Screw	Skruv	5
9110		83 48 804		1	Heat protection	Värmsköld	3
9120		83 28 720		1	Sealing ring	Tätningring	3
9130		83 28 759	CENTRE	1	Exhaust pipe	Avgasrör	1
9140		83 87 052		1	Gasket	Packning	1
9150		83 87 672		2	Gasket	Packning	1
9160		89 82 209		1	Filter cap	Tanklock	2
9170		75 33 797		1	Catalytic converter	Katalytisk reaktor	4
9180		93 35 118	"ENDAST BLYFRI BENSIN"	1	Filter pipe	Påfyllningsrör	5
9190		96 82 535	FOR INSTRUMENT PANEL	1	Sign	Textbricka	5
9200							
9210							

MASTER INDEX

0	General	1-
1	Tools	1-
2	Engine	1-
3	Electrical system,	
	Instruments	1-
4	Transmission	1-
5	Brakes	1-
6	Front assembly,	
	Steering	1-
7	Suspension,	
	Wheels	2-
8	Body	2-
9	Tool,	
	Labels	2-
10	Numerical	
	register	2-
2 GROUP INDEX		
	Engine body	1
	Lubrication system	1
	Fuel system	1
	Inlet and exhaust system	1
	Cooling system	1
	Engine control	1
	Complete sets	1

SAAB Svenska bilen
Original motorer

SAAB 90 M85-87

1990-02

F2457

02-061