

3

Elektriskt system, Instrument
 Electrical system, Instruments
 Elektrisches system, Instrumente
 Equipement électrique, Instruments
 Sistema eléctrico, Instrumentos

Electrical system

Elektriskt system

1-G02

0750
0760
0780
0790
0800
0810
0820
0830
0840
0850
0860
0870
0880
0890
0900
0910
0920
0930
0940
0950
0960
0970
0980
0990
1000
1010
1020
1030
1040
1050
1060
1070
1080
1090
1100
1110
1120
1130
1140
1150
1160
1170
1180
1190
1200
1210
1220
1230
1240
1250
1260
1270
1280
1290
1300
1310
1320
1330
1340
1350
1360
1370
1380
1390
1400
1410
1420
1430
1440
1450
1460
1470
1480
1490
1500
1510
1520
1530
1540
1550
1560
1570
1580
1590
1600

CONTENTS

Battery and battery cables	3 : 5	1-G06
Alternator	3 : 7	1-G08
Starter	3 : 9	1-G10
Ignition system:		
Ignition coil, cables, spark plugs, ignition and starter switch and ignition resistance unit	3 : 11	1-G12
Distributor, Bosch	3 : 13	1-G14
Lighting:		
Headlights, Halogen	3 : 15	1-G16
Direction indic./parking and side position lights	3 : 17	1-G18
Tail light, license plate light	3 : 19	1-G20
Other lights	3 : 21	1-G22
Electrical equipment, other:		
Signal horn	3 : 23	1-G24
Signal button, etc.	3 : 25	1-H02
Windshield wipers	3 : 27	1-H04
Headlight wipers	3 : 29	1-H06
Windshield- and headlight washer	3 : 31	1-H08
Controls and switches	3 : 33	1-H10
Wiring and fuses:		
Wiring, terminal board, etc.	3 : 37	1-H14
Replacement cable terminals	3 : 39	1-H16
Connectors, etc.	3 : 41	1-H18
Fuse box, fuses	3 : 43	1-H20
Instruments	3 : 45	1-H22
Complete sets	3 : 47	1-H24
Electrical system		
INNEHÅLLSFÖRTECKNING		
Batteri och batterikablar	3 : 5	1-G06
Generator	3 : 7	1-G08
Startmotor	3 : 9	1-G10
Tändsystem:		
Tändspole, tändkablar, tändstift, tänd- och startkontakt och förkopplingsmotstånd	3 : 11	1-G12
Tändfördelare, Bosch	3 : 13	1-G14
Belysning:		
Strålkastare, Halogen	3 : 15	1-G16
Blänk/parkerlykta och sidomärkenlykta	3 : 17	1-G18
Sikkykta, nummernöjtblisbelysning	3 : 19	1-G20
Övrig belysning	3 : 21	1-G22
Övrig elektrisk utrustning:		
Signalhorn	3 : 23	1-G24
Signalknapp, etc.	3 : 25	1-H02
Vindrutetorkare	3 : 27	1-H04
Strålkastartorkare	3 : 29	1-H06
Vindrute- och strålkastarspolare	3 : 31	1-H08
Manöverdon och kontakter	3 : 33	1-H10
Ledningar och säkringar:		
Ledningar, kopplingsplintar, etc.	3 : 37	1-H14
Kompletteringskabelfäklar	3 : 39	1-H16
Säkrings, kontaktkäps, etc.	3 : 41	1-H18
Säkringsdosa, säkringar	3 : 43	1-H20
Instrument	3 : 45	1-H22
Satser	3 : 47	1-H24
Elektriskt system		

MASTER INDEX

0	General
1	Tools
2	Engine
3	Electrical system, Instruments
4	Transmission
5	Brakes
6	Front assembly, Steering
7	Suspension, Wheels
8	Body
9	Tools
	Labels
10	Numerical register
3 GROUP INDEX	
	Battery and battery cables
	Alternator
	Starter
	Ignition system
	Lighting
	Electrical equipment, other
	Wiring and fuses
	Complete sets

1-G03

INHALTSVERZEICHNIS

Batterie, Batterieleitungen	3 : 5	1-G06
Lichtmaschine	3 : 7	1-G08
Anlasser	3 : 9	1-G10
Zündsystem:		
Zündsystem, Zündkabeln, Zündkerzen, Zünd- und Anlasserkontakt und Serienwiderstand	3 : 11	1-G12
Zündverteiler, Bosch	3 : 13	1-G14
Beleuchtung:		
Scheinwerfer, Halogen	3 : 15	1-G16
Blink- und Parkleuchte und Seitmarkierungsleuchte	3 : 17	1-G18
Schlussleuchte, Nummernschildbeleuchtung	3 : 19	1-G20
Übrige Beleuchtung	3 : 21	1-G22
Sonstige elektrische Ausrüstung:		
Signalpfeife	3 : 23	1-G24
Signalkontakte usw.	3 : 25	1-H02
Scheibenwischer	3 : 27	1-H04
Scheinwerferwischer	3 : 29	1-H06
Scheibenwischer - Scheinwerferwischer	3 : 31	1-H08
Elektrische Steuerungseinheit und Kontakte	3 : 33	1-H10
Leitungen und Sicherungen:		
Leitungen, Leitungskupplungen usw.	3 : 37	1-H14
Ersetzen Kabelschuhe	3 : 39	1-H16
Kabelverbinder, Kontaktgehäuse usw.	3 : 41	1-H18
Sicherungsgeräte, Sicherungen	3 : 43	1-H20
Instrumente	3 : 45	1-H22
Komplett sätze		
Elektrisches system	3 : 47	1-H24

TABLE DES MATIERES

Batterie et câbles de batterie	3 : 5	1-G06
Alternateur	3 : 7	1-G08
Démarreur	3 : 9	1-G10
Système d'allumage:		
Bobine, câbles, bougies, serrure de contact et de démarrage etistance de série	3 : 11	1-G12
Distributeur d'allumage, Bosch	3 : 13	1-G14
Éclairage		
Phares, Halogène	3 : 15	1-G16
Clignotant/feu stationnement et feu position	3 : 17	1-G18
Lampes AR, éclairage plaque de police	3 : 19	1-G20
Autre éclairage	3 : 21	1-G22
Autre équipement électrique		
Avertisseur sonore	3 : 23	1-G24
Contact d'avertisseur, etc.	3 : 25	1-H02
Essuie-glace	3 : 27	1-H04
Essui-phares	3 : 29	1-H06
Lave-glace et lave-phares	3 : 31	1-H08
Dispositifs de commande et contacts	3 : 33	1-H10
Conduites et fusibles:		
Conduites, manchons de raccordement, etc.	3 : 37	1-H14
Coques de câble AMP	3 : 39	1-H16
Blocs de raccordement, connecteurs, etc.	3 : 41	1-H18
Blocs de fusibles, fusibles	3 : 43	1-H20
Instrumente	3 : 45	1-H22
Jeux complets		
Équipement électrique	3 : 47	1-H24

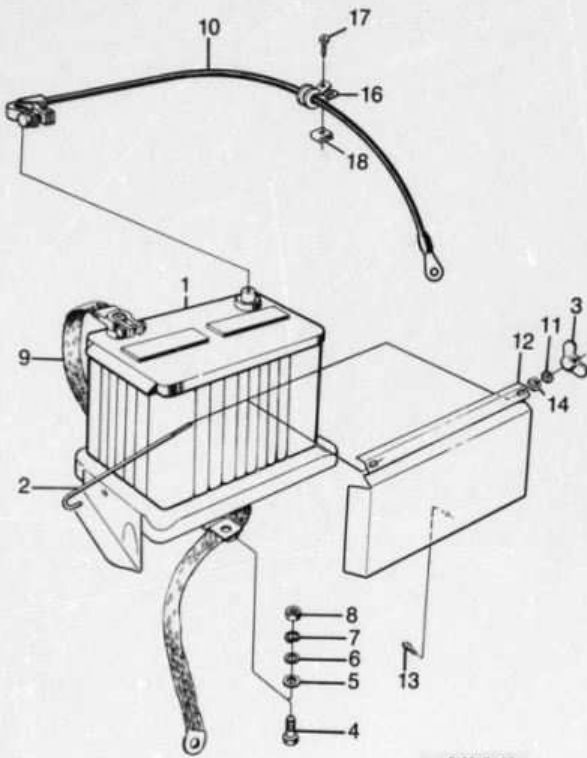
1-G04

SUMARIO

Batería y cables de batería	3 : 5	1-G06
Alternador	3 : 7	1-G08
Motor de arranque	3 : 9	1-G10
Sistema de encendido:		
Bobina, cables, bujías, cerradura de contacto y de arranque y resistencia de serie	3 : 11	1-G12
Distribuidor, Bosch	3 : 13	1-G14
Alumbrado		
Faros, halógeno	3 : 15	1-G16
Intermitente/luz aparcamiento y de posición	3 : 17	1-G18
Luz de cota de matrícula	3 : 19	1-G20
Otro alumbrado	3 : 21	1-G22
Otro equipo eléctrico:		
Señal acústica	3 : 23	1-G24
Contacto de señal acústica, acolchado, etc.	3 : 25	1-H02
Limpaparabrisas	3 : 27	1-H04
Limpaparabrisas y lavaparabrisas	3 : 29	1-H06
Lavaparabrisas y lavacrystalos de faro	3 : 31	1-H08
Dispositivos de mando y contactos	3 : 33	1-H10
Conductos y fusibles		
Conductos, manguitos de conexión, etc.	3 : 37	1-H14
Terminales de cable AMP	3 : 39	1-H16
Bloques de conexión, contactores, etc.	3 : 41	1-H18
Caja de fusibles	3 : 43	1-H20
Instrumentos	3 : 45	1-H22
Juegos completos		
Sistema eléctrico	3 : 47	1-H24

MASTER INDEX

0	General
1	Tools
2	Engine
3	Electrical system, instruments
4	Transmission
5	Brakes
6	Front assembly, Steering
7	Suspension, Wheels
8	Body
9	Tool, Labels
10	Numerical register
3	GROUP INDEX
	Battery and battery cable
	Alternator
	Starter
	Ignition system
	Lighting
	Electrical equipment, other
	Wiring and fuses
	Complete sets



R 6213-90

1-G06

Battery Battery and battery cables

Batteri Batteri och batterikablar

Q100	Part No./Set No.	Notes/Remarks
0115	1	
0120	2	73 25 590
0200	3	79 70 460
0240	4	79 35 877
0280	5	79 16 497
0300	6	80 29 969
0320	7	79 10 540
0340	8	79 14 690
0360	9	85 18 904
0420	10	85 96 181
0500	11	79 15 564
0580	12	85 30 370
0600	13	70 27 859
0620	14	80 29 969
0680	16	85 66 135
0700	17	82 67 206
0720	18	82 67 098

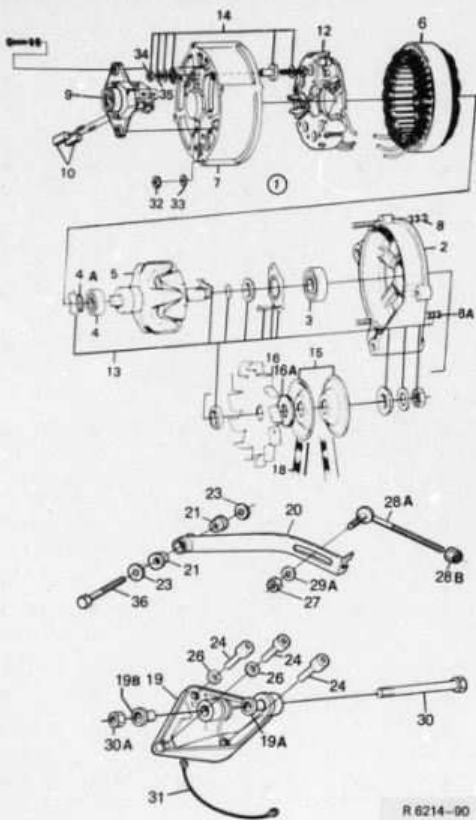
Qty	Description	Swedish
1	Battery, 60Ah	Batteri, 60Ah
2	Hook	Hake
2	Wing nut	Vingmutter
1	Screw	Skruv
1	Washer	Bricka
1	Washer	Bricka
1	Washer	Bricka
1	Nut	Myster
1	Battery cable	Batterikabel
2	Washer	Bricka
1	Heat guard	Själströmskydd
3	Plug	Plugg
2	Washer	Bricka
3	Clamp	Klamme
3	Screw	Skruv
3	Clip	Clip

MASTER INDEX

0	General
1	Tools
2	Engine
3	Electrical system, instruments
4	Transmission
5	Brakes
6	Front assembly, steering
7	Suspension, wheels
8	Body
9	Tool
10	Numerical register

3 GROUP INDEX

- Battery and battery cable
- Alternator
- Starter
- Ignition system
- Lighting
- Electrical equipment, other
- Wiring and fuses
- Complete sets



R 6214-00

1-G08

Alternator, Bosch

Generator, Bosch

Qty	Part No./Alt. No.	Descr./Anmärkning	Description	Swedish
0225	1	85 71 838	Alternator assy	Generator kpl
0600	2	85 71 879	Drive end with bearing	Drivlager
0140	3	85 72 028	Bearing	Kullager
0180	4	85 72 034	Bearing	Kullager
0195	4A	85 65 590	O-ring	O-ring
0200	5	85 71 887	Rotor	Rotor
0240	6	85 71 861	Stator	Stator
0280	7	85 71 895	Slip ring bearing	Slipringlager
0300	8	85 71 911	Screw	Skruv
0310	8A	85 72 042	Screw	Skruv
0340	9	85 71 846	Charging regulator	Laddningsregulator
0380	10	85 72 638 S	Brush set	Borstaset
0420	12	85 71 903	Rectifier unit	Likriktarenhet
0440	13	85 72 652 S	Part kit rotor	Delsets rotor
0480	14	85 51 673 S	Part kit connection B	Delsets anslutning B
0600	15	85 78 559	Belt pulley	Remskiva
0610	16A	85 78 577	Guide disc	Styrskiva
0620	16	85 50 147	Fan disc	Fäktskiva
0620	18	93 41 314	V-belt	Kläm
0670	19	75 11 314	Bracket	Fäste
0680	19A	75 10 308	Rubber bushing	Gummibussning
0681	19B	75 10 332	Rubber bushing	Gummibussning
0690	20	75 18 947	Bar	Stag
0695	21	93 54 770	Bushing	Bussning
0775	22	73 11 772	Washer	Bricka
0780	24	80 88 089	Screw	Skruv
0795	26	80 29 985	Washer	Bricka
0800	27	80 74 106	Nut	Mutter
0823	28A	75 42 806	Adjusting screw	Ställskruv
0824	28B	79 71 922	Nut	Mutter
0828	29A	80 29 985	Washer	Bricka
0840	30	80 84 071	Screw	Skruv
0860	30A	80 74 106	Nut	Mutter
0880	31	85 87 222	Grounding cable	Jordkabel
0920	32	80 29 548	Nut	Mutter
0940	33	79 33 815	Washer	Bricka
0960	34	80 29 555	Nut	Mutter
0980	35	79 10 540	Washer	Bricka
0995	36	93 54 960	Screw	Skruv
1000		85 72 653	Part kit, rotor	Delsets, rotor
1040		93 37 593	Repair kit, alternator bracket	Rep. sats, generator fäste

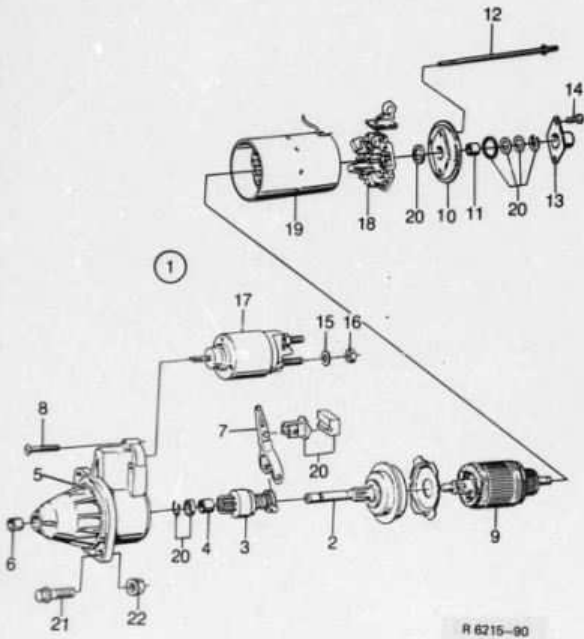
see page 3-047, 1-H24
see page 3-047, 1-H24

MASTER INDEX

- 0 General
 - 1 Tools
 - 2 Engine
 - 3 Electrical system, Instruments
 - 4 Transmission
 - 5 Brakes
 - 6 Front assembly, Steering
 - 7 Suspension, Wheels
 - 8 Body
 - 9 Tool
 - 10 Numerical register
- ### 3 GROUP INDEX
- Battery and battery cables
 - Alternator
 - Starter
 - Ignition system
 - Lighting
 - Electrical equipment, other
 - Wiring and fuses
 - Complete sets

1-G10 Starter

Startmotor



R 6215-90

Q201	Pos	Part No./Set no	Notes, Anmärkning	Qty./Anst	Description	Benämning
0020	1	40 17 299	(9376709, 7532153)	1	Starter Assy	Startmotor kpl
0040	2	75 27 716	8)	1	Planetary gear	Planetväxel
0050	2	75 35 255	9)	1	Planetary gear	Planetväxel
0060	3	75 27 724		1	Starter drive	Startmotorövre
0065	4	75 27 732		2	Bearing bushing	Lagerbushning
0100	5	75 27 740		1	Drive end bracket	Drivhus
0110	5	75 35 263	9)	1	Drive end bracket	Drivhus
0120	6	75 27 757		1	Bearing bushing	Lagerbushning
0140	7	75 27 765		1	Engaging lever arm	Kopplingsarm
0160	8	75 27 773	8)	3	Screw	Skruv
0170	8	75 35 271	9)	3	Screw	Skruv
0180	9	75 27 781	8)	1	Rotor	Rotor
0190	9	75 35 289	9)	1	Rotor	Rotor
0200	10	75 27 799	8)	1	Commutator bearing	Kommutatorlager
0210	10	75 35 297	9)	1	Commutator bearing	Kommutatorlager
0220	11	75 27 807		1	Bearing bushing	Lagerbushning
0240	12	75 27 815	8)	2	Screw	Skruv
0250	12	75 35 306	9)	2	Screw	Skruv
0260	13	75 27 823	8)	1	Cover cap	Kapsel
0270	13	75 35 313	9)	1	Cover cap	Kapsel
0290	14	75 27 831	8)	2	Screw	Skruv
0290	14	75 35 321	9)	2	Screw	Skruv
0300	15	75 27 849		1	Washer	Skiva
0320	16	78 14 619	8)	1	Nut	Mutter
0330	16	75 35 339	9)	1	Nut	Mutter
0340	17	75 27 856		1	Starter solenoid	Månvärmagnet
0360	18	75 27 864		1	Brush plate	Brushplatta
0380	19	75 27 872		1	Field winding	Fältindring
0400	20	75 27 880		1	Set of washer	Skivsets
0420	21	79 76 939		2	Screw	Skruv
0440	22	79 75 220		2	Nut	Mutter

MASTER INDEX

0	General	1
1	Tools	5
2	Engine	5
3	Electrical system,	5
	Instruments	3
4	Transmission	5
5	Brakes	6
6	Front assembly,	6
	Steering	6
7	Suspension,	5
	Wheels	5
8	Body	5
9	Tool,	6
	Labels	5
10	Numerical	5
	register	5
3	GROUP INDEX	6
	Battery and battery cables	5
	Alternator	5
	Starter	5
	Ignition system	5
	Lighting	5
	Electrical equipment, other	5
	Wiring and fuses	6
	Complete sets	5

8. Ch. --(G6001503

9. Ch. G6001504--

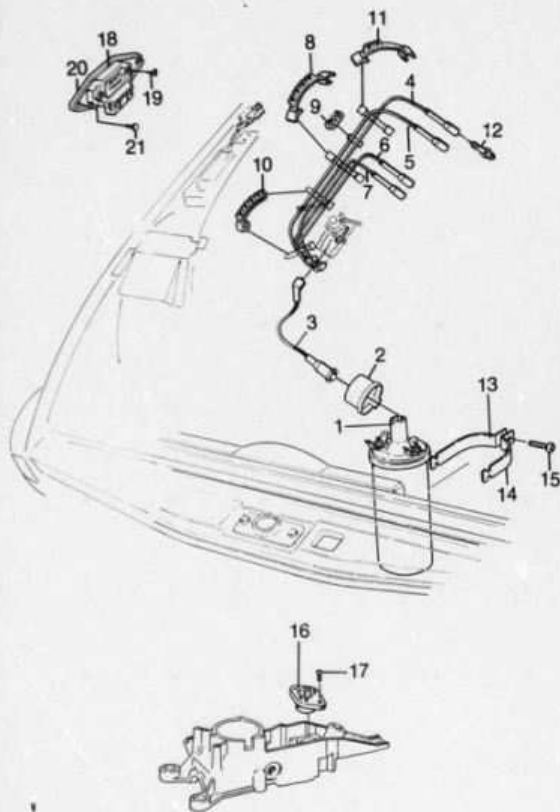
SAAB Original parts

SAAB 90 M85-87

1990-02

R6215

03-009



R 6216-90

1-G12

Ignition system
Ignition coil, cables,
etc.

Tändsystem
Tändspole
tändkablar, etc.

Part No./Anmärkning	Qty./Antal	Description	Swedish
9000 1 85 73 834	1	Ignition coil	Tändspole
9000 2 85 66 374	1	Cover	Sköld
9040 3 75 11 157	1	Ignition cable	Tändkabel
9260 4 75 61 061	1	distributor/coil	tändfördelare/spole
9454 5 75 61 079	1	Ignition cable	Tändkabel
9460 6 75 61 087	1	Ignition cable	Tändkabel
9620 7 75 61 095	1	Ignition cable	Tändkabel
9388 8 93 58 086	1	Retainer	Tändkabelhållare
9770 9 93 53 873	1	Retainer	Hållare
9775 10 93 58 102	2	Retainer	Hållare
9778 11 93 58 094	1	Retainer	Hållare
9790 12 83 09 486	4	Spark plug	Tändstift
9800 12 83 88 514	4	Spark plug	Tändstift
9820 12 83 50 076	4	Spark plug	Tändstift
9840 12 88 12 810	4	Spark plug	Tändstift
9860 12 75 15 075	4	Spark plug	Tändstift
1100 13 83 20 467	1	Clamp	Klamme
1140 14 83 20 475	1	Clamp	Klamme
1180 15 80 59 588	1	Screw	Skruv
1200 16 85 67 505	1	Ignition and starter switch	Tänd- och startkontakt
1211 17 79 34 300	2	Screw	Skruv
1240 18 85 73 826	1	Power stage	Effektstag
1270 19 93 90 220	1	Power stage	Effektstag
1280 20 85 74 816	1	Cooler plate	Kylplatta
1300 21 79 73 175	2	Screw	Skruv
1340 93 37 346	X	Set, ignition cables	Set, tändkablar

see page 3-047, 1-H24

MASTER INDEX

0	General	1-
1	Tools	14
2	Engine	14
3	Electrical system,	
	instruments	14
4	Transmission	14
5	Brakes	14
6	Front assembly,	
	steering	14
7	Suspension,	
	wheels	24
8	Body	24
9	Tool,	
	labels	24
10	Numerical	
	register	24
3 GROUP INDEX		
Battery and battery cables	3	
Alternator	3	
Starter	3	
Ignition system	3	
Lighting	3	
Electrical equipment, other	3	
Wiring and fuses	3	
Complete sets	3	

SAAB

SAAB 90 M85-87

1990-02

R6216 03-011

1-G14

Ignition system
Distributor,
breakerless system 1984-

Tändsystem
Tändfördelare,
brytarlöst system 1984-

Part No.	Part No./Chr. No.	QTY	Description	Swedish
9020	1 75 01 570	1	Distributor assy	Tändfördelare, kpl
9040	2 75 01 216	1	Distributor cap	Fördelarluck
9060	3 83 55 488	1	Distributor arm	Fördelararm
9080	4 83 51 610	1	Dust protective	Därrnäckydd
9100	5 83 55 456	1	Bearing cap	Lagerskydd
9120	6 83 51 636	1	Lock ring	Låsring
9120	8 75 18 541	1	Vacuum control unit	Vakuumregulator
9130	10 83 55 470	4	Screw	Skruv
9140	11 83 05 053	1	Screw	Skruv
9160	14 83 51 584	2	Spring clips	Jämfjäder
9180	17 83 51 750	1	Seal ring	Tätningring
9300	19 83 44 276	1	Delay valve	Fördröjningsventil
9380			(Brown, 2 sec.)	(Brun, 2 sek.)
9400	20 83 27 868	1	Hose	Slang
9420	23 83 09 203	1	Hose	Slang
9430	24 80 19 829	3	Screw	Skruv
9440	25 83 08 990	3	Washer	Bricka
9480	83 59 605	X	Rebuilding kit	Rep. sat

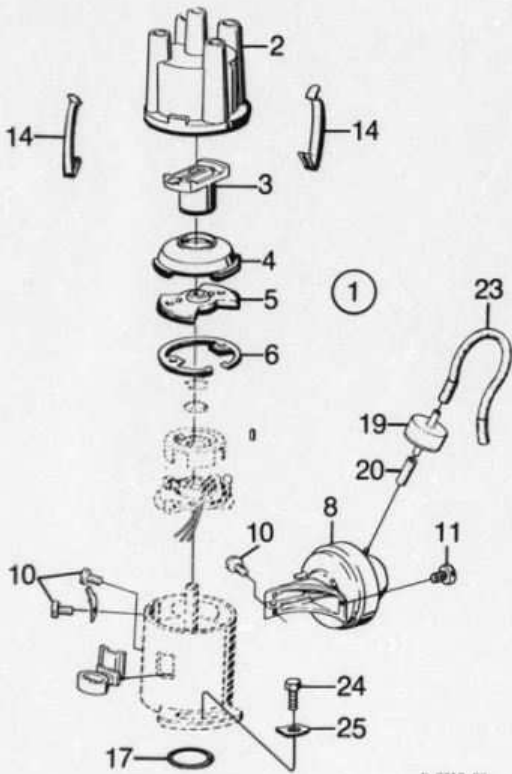
Part No.	Part No./Chr. No.	QTY	Description	Swedish
9020	1 75 01 570	1	Distributor assy	Tändfördelare, kpl
9040	2 75 01 216	1	Distributor cap	Fördelarluck
9060	3 83 55 488	1	Distributor arm	Fördelararm
9080	4 83 51 610	1	Dust protective	Därrnäckydd
9100	5 83 55 456	1	Bearing cap	Lagerskydd
9120	6 83 51 636	1	Lock ring	Låsring
9120	8 75 18 541	1	Vacuum control unit	Vakuumregulator
9130	10 83 55 470	4	Screw	Skruv
9140	11 83 05 053	1	Screw	Skruv
9160	14 83 51 584	2	Spring clips	Jämfjäder
9180	17 83 51 750	1	Seal ring	Tätningring
9300	19 83 44 276	1	Delay valve	Fördröjningsventil
9380			(Brown, 2 sec.)	(Brun, 2 sek.)
9400	20 83 27 868	1	Hose	Slang
9420	23 83 09 203	1	Hose	Slang
9430	24 80 19 829	3	Screw	Skruv
9440	25 83 08 990	3	Washer	Bricka
9480	83 59 605	X	Rebuilding kit	Rep. sat

MASTER INDEX

0	General	1-
1	Tools	14
2	Engine	14
3	Electrical system,	
	Instruments	14
4	Transmission	14
5	Brakes	14
6	Front assembly,	
	Steering	14
7	Suspension,	
	Wheels	24
8	Body	24
9	Tool,	
	Labels	24
10	Numerical	
	register	24

3 GROUP INDEX

Battery and battery cables	1-
Alternator	1-
Starter	1-
Ignition system	1-
Lighting	1-
Electrical equipment, other	1-
Wiring and fuses	1-
Complete sets	1-



R 9310-90

SAAB Original parts

SAAB 90 M85-87

1990-02

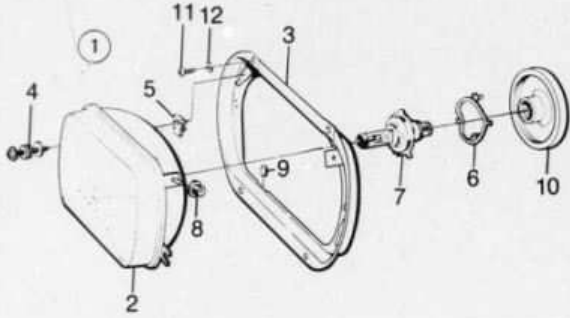
R9310

03-013

1-G16

Lighting
Headlights, Halogen

Belysning
Strålkastare, Halogen



R 6218-90

Q600	Pos	Part No./Art nr	Notes/Anmärkning	Qty./Antal	Description	Benämning
0400	1	85 60 310		2	Headlight Assy	Strålkastare kpl
0240	1	85 63 983	LH TRAFFIC	2	Headlight Assy	Strålkastare kpl
0200	2	85 60 328		2	Headlight insert Assy	Strålkastarinsats kpl
0400	2	85 63 991	LH TRAFFIC	2	Headlight insert Assy	Strålkastarinsats kpl
0400	3	85 41 543		2	Retainer plate	Fästplatta
0600	4	85 10 919		4	Setting screw	Justeringskruv
0620	5	73 34 063		4	Bushing	Bushning
0660	6	85 60 575		2	Bayonet ring	Bayonerring
0700	7	85 10 851	40/228 210 008	2	Bulb H4	Gödlampa H4
0740	8	85 41 450		2	Bushing	Bushning
0760	9	73 34 253		2	Support bushing	Stödbushning
0800	10	85 60 536		2	Sealing	Tätning
0820	11	79 22 263		8	Screw	Skruv
0840	12	80 73 090		4	Washer	Bricka

MASTER INDEX

0	General	1-AG
1	Tools	1-BG
2	Engine	1-DG
3	Electrical system	
4	Instruments	1-GG
5	Transmission	1-HG
6	Brakes	1-KG
7	Front assembly	
8	Steering	1-LG
9	Suspension	
10	Wheels	2-AG
11	Body	2-BG
12	Tool	
13	Labels	2-GG
14	Numerical register	2-HG

3 GROUP INDEX

Battery and battery cables	1-GG
Alternator	1-GH
Starter	1-GI
Ignition system	1-GJ
Lighting	1-GK
Electrical equipment, other	1-GL
Wiring and fuses	1-HI
Complete sets	1-HJ

SAAB

SAAB 90 M85-87

1990-02

R6218

03-015

1-G18

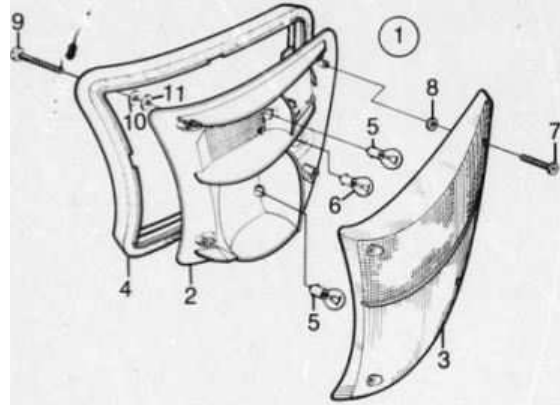
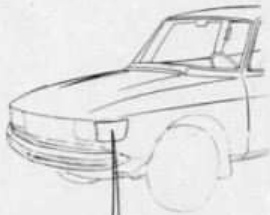
Lighting
Direction indic./parking
light front

Belysning
Främre blink/parkerlykta

MASTER INDEX

0950	Part No.	Part Name	Qty/Assy	Description	Swedish	1
0020	1	85 77 819	LH	Direct. indic./parking light front	Främre blink/parkerlykta	2
0040	2	85 51 939	LH	Lamp housing	Lamphus	1
0050	3	85 77 876	LH	Glass	Glas	1
0070	1	85 77 827	RH	Direct. indic./parking light front	Främre blink/parkerlykta	2
0080	2	85 51 947	RH	Lamp housing	Lamphus	1
0100	3	85 77 884	RH	Glass	Glas	1
0130	4	85 32 731	LH	Seal	Tätning	5
0140	4	85 32 749	RH	Seal	Tätning	5
0150	5	85 32 756	21/SW	Bulb	Gjödamp	1
0180	5	85 37 615	21/SW, YELLOW	Bulb	Gjödamp	1
0190	6	85 36 992	21W	Bulb	Gjödamp	1
0190	7	85 33 879		Screw	Skruv	5
0200	8	85 16 502		Washer	Bricka	5
0210	9	80 59 412		Screw	Skruv	5
0220	10	70 88 073		Washer	Bricka	5
0230	11	85 37 623		Sealing washer	Tätningbricka	3

0	General	1-A02
1	Tools	1-B02
2	Engine system	1-D02
3	Electrical system, instruments	1-G02
4	Transmission	1-K02
5	Brakes	1-K02
6	Front assembly, steering	1-L02
7	Suspension, wheels	2-A02
8	Body	2-B02
9	Tool, labels	2-C02
10	Numerical register	2-H02
3 GROUP INDEX		
	Battery and battery cables	1-G06
	Alternator	1-G08
	Starter	1-G10
	Ignition system	1-G12
	Lighting	1-G18
	Electrical equipment, other	1-G24
	Wiring and fuses	1-H14
	Complete sets	1-H24



R 6219-90

SAAB original parts Original Reservdelar

SAAB 90 M85-87

1990-02

R6215

03-017

1-G20

Lighting Tail light, license plate light

Belysning Baklykta, nummerplåts- belysning

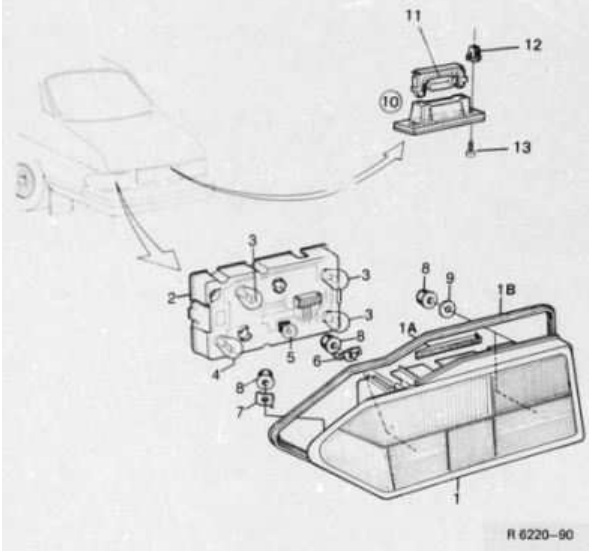
Q875	Qty/	Part No./Art nr	Notes/Anmärkning	Qty/	Description	Swedish	Q875
	Amount			Amount			
0048	1	85 85 879	LH, WITH FOGLIGHT	1	Tail light	Baklykta	1
0050	1	85 85 887	RH, WITH FOGLIGHT	1	Tail light	Baklykta	3
0100	1A	85 74 535	LH	1	Seal	Tätning	3
0120	1A	85 74 543	RH	1	Seal	Tätning	5
0140	2	85 85 978	LH	1	Back	Bakstycke	5
0180	2	85 85 986	RH	1	Back	Bakstycke	5
0180	3	71 54 719	40/238 290 001	3	Bulb	Glödlampa	11
0200	4	85 22 756	40/238 291 009	1	Bulb	Glödlampa	1
0220	5	85 72 406		1	Bulb	Glödlampa	1
0240	6	85 66 416		4	Attachment	Fästvärkel	6
0260	7	85 66 424		2	Attachment	Fästvärkel	6
0300	8	79 73 365		10	Nut	Mutter	5
0320	9	79 16 489		4	Washer	Bricka	5
0340	10	85 67 653		2	License plate light	Nummerskyltlykta	5
0360	11	70 84 197		1	Bulb	Glödlampa	1
0380	12	92 36 589	40/238 261 002	4	Clip	Clip	5
0400	13	79 22 230		4	Screw	Skruv	5

MASTER INDEX

0	General	1-A02
1	Tools	1-B02
2	Engine	1-D02
3	Electrical system,	
	Instruments	1-G02
4	Transmission	1-I02
5	Brakes	1-K02
6	Front assembly,	
	Steering	1-L02
7	Suspension,	
	Wheels	2-A02
8	Body	2-B02
9	Tool	
	Labels	2-G02
10	Numerical	
	register	2-H02

3 GROUP INDEX

Battery and battery cables	1-G06
Alternator	1-G08
Starter	1-G10
Ignition system	1-G12
Lighting	1-G16
Electrical equipment, other	1-G24
Wiring and fuses	1-H14
Complete sets	1-H24



1-G22

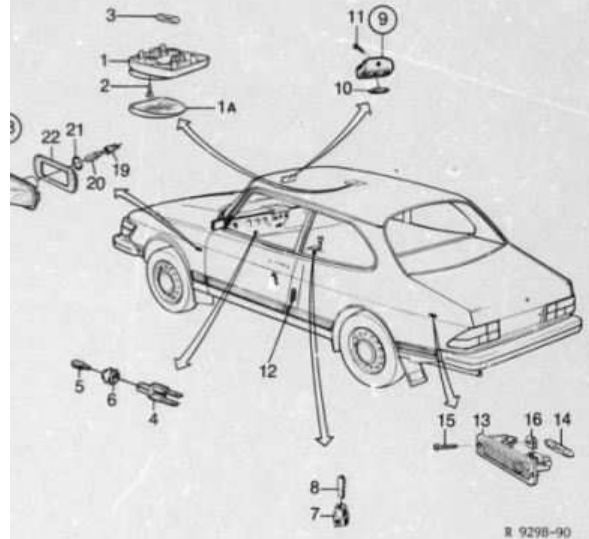
Lighting
Other lights

Belysning
Övrig belysning

MASTER INDEX

1000	Qty	Part No./Art nr	Notes, Anmärkning	Qty/Anm	Description	Benämning	1
1080	1	85 18 367	-1986	1	Dome light, interior	Taklampa	1
1080	1	85 12 252	1987-	1	Dome light, interior	Taklampa	4
1085	1A	95 03 152	1987-	1	Lens	Lins	2
1100	2	79 70 346		2	Screw	Skruv	6
1130	3	85 01 264	40/238 285 003	1	Bulb	Gödlampa	2
1180	4	85 09 897		2	Bulb socket, lighting guide	Lampfötare	5
1200	5	85 00 613	40/238 286 009	2	Bulb lighting guide	Gödlampa, lysledare	2
1220	6	85 10 331		1	Bulb socket bushing	Lampfötare, bultning	3
1240	7	85 09 697		1	Bulb socket, ignition lock light	Lampfötare, startlampa	5
1251	8	85 00 613	40/238 286 009	1	Bulb	Gödlampa	2
1270	9	85 06 263		1	Rear view mirror lamp Assy.	Backspiegelampa kpl	3
1340	10	70 84 197	40/238 281 002	1	Bulb	Gödlampa	1
1360	11	80 59 248		1	Screw	Skruv	5
1420	12	85 83 593		2	Reflector	Reflex	3
1440	13	85 77 801		1	Light, luggage compartment	Bagagerumslampa	3
1480	14	85 01 264	40/238 265 003	1	Bulb	Gödlampa	2
1600	15	79 70 346		2	Screw	Skruv	5
1620	16	79 72 771		2	Clip nut	Clipmutar	5
1640	18	95 21 832	1986-, (95 13227)	2	Side direct, indic	Sidobelyslykta	3
1660	19	95 21 857	(95 12872)	2	Bulb holder	Lampfötare	6
1680	20	95 12 880		2	Bulb	Gödlampa	11
1680	21	95 12 898		2	Gasket	Packning	6
1620	22	95 12 906		2	Sealing	Tätning	6

0	General	1-A02
1	Tools	1-B02
2	Engine	1-D02
3	Electrical system	1-G02
4	Instruments	1-G02
5	Transmission	1-H02
6	Brakes	1-K02
7	Front assembly	1-L02
8	Steering	1-L02
9	Suspension	1-M02
10	Wheels	2-A02
11	Body	2-B02
12	Tool	2-G02
13	Labels	2-G02
14	Numerical register	2-H02
15		
16		
17		
18		
19		
20		
21		
22		
23		
24		
25		
26		
27		
28		
29		
30		
31		
32		
33		
34		
35		
36		
37		
38		
39		
40		
41		
42		
43		
44		
45		
46		
47		
48		
49		
50		
51		
52		
53		
54		
55		
56		
57		
58		
59		
60		
61		
62		
63		
64		
65		
66		
67		
68		
69		
70		
71		
72		
73		
74		
75		
76		
77		
78		
79		
80		
81		
82		
83		
84		
85		
86		
87		
88		
89		
90		
91		
92		
93		
94		
95		
96		
97		
98		
99		
100		



R 9298-90

1-H02

Electric equipment
Signal button etc.

Elektrisk utrustning
Signalkontakt etc.

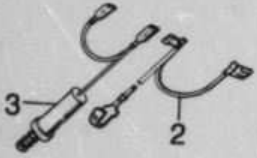
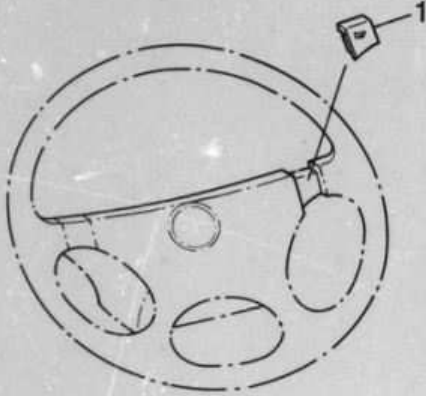
1990	Part No./Art nr	Name/Användnings	Qty/ Antal	Description	Benämning
0920	1 89 61 096	LH	1	Signal button	Signalknapp
0940	1 89 61 104	RH	1	Signal button	Signalknapp
0960	2 89 88 420		1	Grounding cable	Jordkabel
0980	3 89 89 675		1	Contact holder	Kontakthållare

MASTER INDEX

- 0 General
- 1 Tools
- 2 Engine
- 3 Electrical system, Instruments
- 4 Transmission
- 5 Brakes
- 6 Front assembly, Steering
- 7 Suspension, Wheels
- 8 Body
- 9 Tool, Labels
- 10 Numerical register

3 GROUP INDEX

- Battery and battery cables
- Alternator
- Starter
- Ignition system
- Lighting
- Electrical equipment, other
- Wiring and fuses
- Complete sets



R 6223-90

SAAB original parts

SAAB 90 M85-87

1990-02

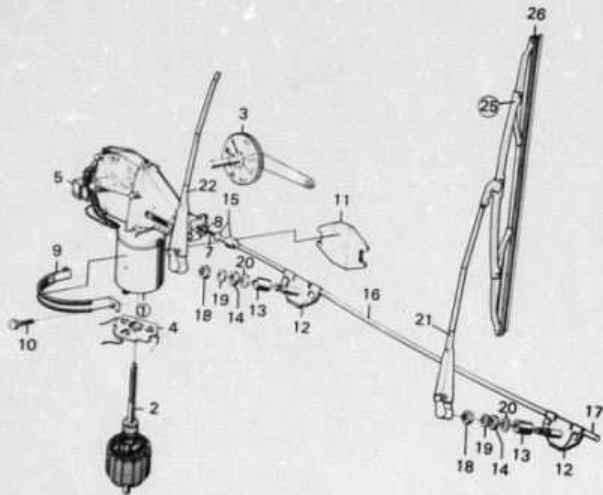
R5223

03-025

1-H04

Electric equipment
Windshield wipers

Elektrisk utrustning
Vindrutetorkare

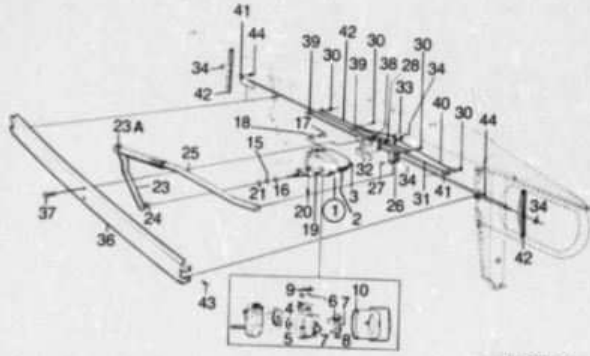


1200	Part No.	Part Name or Description	Qty. Ass'd	Description	Swapping	3
0020	1	85 45 220		Wiper motor assy	Motor kpl	1
0040	2	85 45 121		„Armature	„Rotor	5
0060	3	85 45 139		„Gear and conn. rod	„Driv med vrvaxel	5
0080	4	85 45 147		„Brush unit	„Borsthallare med kol	5
0100	5	85 45 162		„Limit switch	„Parkeringskontakt	3
0120	7	85 16 577		„Cable rack	„Wire	3
0140	8	85 45 188		„Bushing	„Bussning	3
0160	9	85 21 767		„Bracket wiper motor	„Motorfäste	5
0200	10	79 67 938		„Screw	„Skruv	5
0220	11	85 12 477		„Pad	„Mellanlägg	4
0260	12	85 31 279		„Pivot	„Spindelhus	5
0300	13	85 31 311		„Spacer sleeve	„Distanshylsa	5
0340	14	85 31 329		„Spacer washer	„Distansbricka	5
0360	15	85 16 627		„Tube	„Rör	5
0380	16	85 16 635		„Tube center	„Rör mitre	5
0400	17	85 16 643		„Tube	„Rör	5
0440	18	85 31 428		„Nut	„Mutter	5
0480	19	85 31 436		„Washer	„Bricka	5
0500	20	85 31 444		„Washer	„Bricka	5
0600	21	85 35 262		„Wiper arm	„Torkarm	3
0640	22	85 35 270		„Wiper arm	„Torkarm	3
0680	25	85 36 625		„Wiper blade assy	„Torkblad kpl	1
0680	26	85 36 641		„Rubber profile	„Gummsprofil	2
0680		85 46 301		„Set, rubber profile	„Sats, gummsprofil	2

see page 3-047, 1-H04

MASTER INDEX

- 0 General
 - 1 Tools
 - 2 Engine
 - 3 Electrical system, Instruments
 - 4 Transmission
 - 5 Brakes
 - 6 Front assembly, Steering
 - 7 Suspension, Wheels
 - 8 Body
 - 9 Tool, Labels
 - 10 Numerical register
- 3 GROUP INDEX**
- Battery and battery cables
 - Alternator
 - Starter
 - Ignition system
 - Lighting
 - Electrical equipment, other
 - Wiring and fuses
 - Complete sets



R 6225-90

1-H06

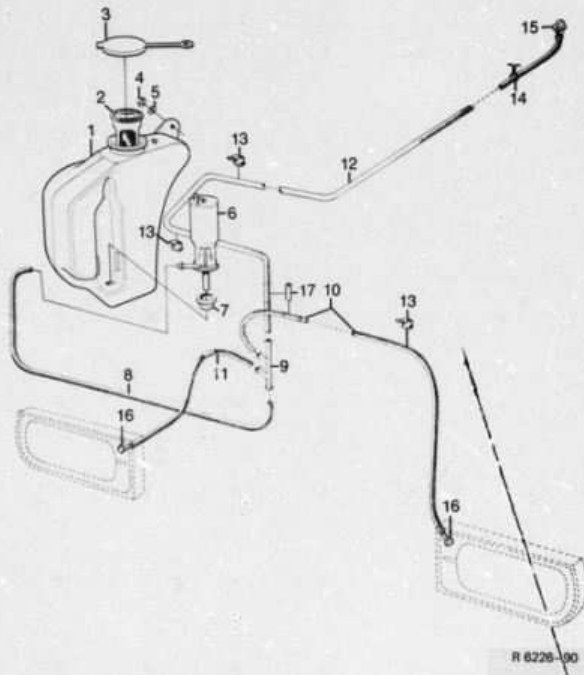
Electric equipment
Headlight wiper

Elektrisk utrustning
Strålkastartorkare

1250	Pos	Part No./Kit or	Notes, Accessories	Qty	Description	Swedish	
9020	1	85 07 089		1	Motor, wiper	Motor, strålkastar-	1
9040					Headlights	torkare	1
9060	2	88 15 748		1	„Cover	„Kåpa	1
9080	3	88 15 755		1	„Clamp	„Bygel	1
9100	4	85 45 089		1	„Kit gear	„Sats ärev	1
9120	5	85 05 448		1	„Gear	„Ärev	1
9140	6	85 05 455		1	„Carbon resistor Assy	„Kondensatörs kyl	1
9160	7	85 05 463		2	„Kit	„Kit	2
9180	8	85 05 471		1	„Spring	„Fjäder	1
9200	9	85 45 402		1	„Parking switch	„Parkeringskontakt	1
9220	10	85 15 407		1	„Gasket	„Packning	1
9240	15	70 95 944		1	Nut	Mutter	1
9260	16	88 02 175		1	Washer	Skiva	1
9280	17	79 34 821		1	Screw	Skruv	1
9300	18	79 10 540		1	Washer	Skiva	1
9320	19	85 25 253		1	Bracket, wiper motor	Motorfäste	1
9340	20	79 61 949		3	Screw	Skruv	3
9360	21	85 85 350		1	Shaft seal	Åskållning	1
9400	23A	85 41 534		1	Crank arm	Vevarm	1
9410	23A	78 46 132		1	Plastic bearing	Plastlager	1
9420	24	80 19 887		1	Screw	Skruv	1
9430	25	85 07 105		1	Link	Stötstäng	1
9440	26	85 06 910		1	Bushing	Laddbussning	1
9460	27	85 07 204		1	Pivot pin	Ledhopp	1
9480	28	85 35 361		1	Spacer sleeve	Distanshylsa	1
9500	30	80 19 705		4	Screw	Skruv	4
9520	31	85 07 253		2	Shaft	Axel	2
9540	32	85 10 182		1	Center bushing	Centrumbussning	1
9560	33	85 07 238		1	Cord pulley	Ledhjul	1
9580	34	85 11 289		4	Lock clip	Spårstycke	4
9120	36	85 42 904		1	Protecting cover	Skyltskåpa	1
9140	37	79 65 833		2	Screw	Skruv	2
9160	38	80 74 098		2	Nut	Mutter	2
9180	39	85 10 208		3	Bushing	Bussning	3
9200	40	85 06 295		2	Cord, nylon	Line, nylon	2
9220	41	85 06 293		2	Bushing	Bussning	2
9240	42	85 12 717		2	Wiper blade	Torkarblad	2
9260	43	79 61 949		4	Screw	Skruv	4
9280	44	85 06 384		2	Spring	Fjäder	2
9300		88 15 649	see page 3-047, 1-H24	X	Kit, wiper blade	Sats, torkarblad	X
9320		85 45 212	see page 3-047, 1-H24	X	Kit, headlight wipers and washers	Sats, strålkastar-torkare	X

MASTER INDEX

0	General	1
1	Tools	1
2	Engine	2
3	Electrical system,	3
	Instruments	
4	Transmission	4
5	Brakes	5
6	Front assembly,	6
	Steering	
7	Suspension,	7
	Wheels	
8	Body	8
9	Tool	9
	Labels	
10	Numerical	10
	register	
3 GROUP INDEX		
Battery and battery cable		
Alternator		
Starter		
Ignition system		
Lighting		
Electrical equipment, oth		
Wiring and fuses		
Complete sets		



1-H08

Electric equipment
Headlight washer

Elektrisk utrustning
Strålkastarspolare

1350	Part No./Anmärkning	Qty/Anst	Description	Benämning	5
0640	1 85 36 583	1	Container	Behållare	3
0180	2 85 60 161	1	Filter	Filter	4
3090	3 85 18 557	1	Cover	Luck	4
3220	4 80 29 555	1	Jet	Strålkastarspolare	5
0280	5 80 29 969	1	Washer pump	Spolarpump	2
0640	6 95 06 379	1	Washer pump	Spolarpump	2
0690	7 95 12 583	10)	Bushing	Bussning	3
0610	7 95 28 795	11)	Bushing	Bussning	3
0690	8 85 33 358	1	Hose	Slang	3
0610	9 85 10 091	1	Branch pipe	Förgränsningsrör	2
0700	10 85 33 507	LH	Hose	Slang	5
0740	11 85 33 457	RH	Hose	Slang	5
0780	12 85 60 757	(8533499)	Hose	Slang	5
0690	13 79 33 443	5	Clip	Clipp	5
0620	14 85 08 392	1	Retainer	Hållare	5
0640	15 85 04 144	1	Jet	Munstycke	2
0690	16 85 10 125	HEADLIGHTS	Jet	Munstycke	2
0690	17 85 11 388	2	Back valve	Backventil	3

MASTER INDEX

- 0 General
 - 1 Tools
 - 2 Engine
 - 3 Electrical system, Instruments
 - 4 Transmission
 - 5 Brakes
 - 6 Front assembly, Steering
 - 7 Suspension, Wheels
 - 8 Body
 - 9 Tool, Labels
 - 10 Numerical register
- 3 GROUP INDEX
- Battery and battery cables
 - Alternator
 - Starter
 - Ignition system
 - Lighting
 - Electrical equipment, other
 - Wiring and fuses
 - Complete sets

10. Ch. —H6002230
11. Ch. H6002231—

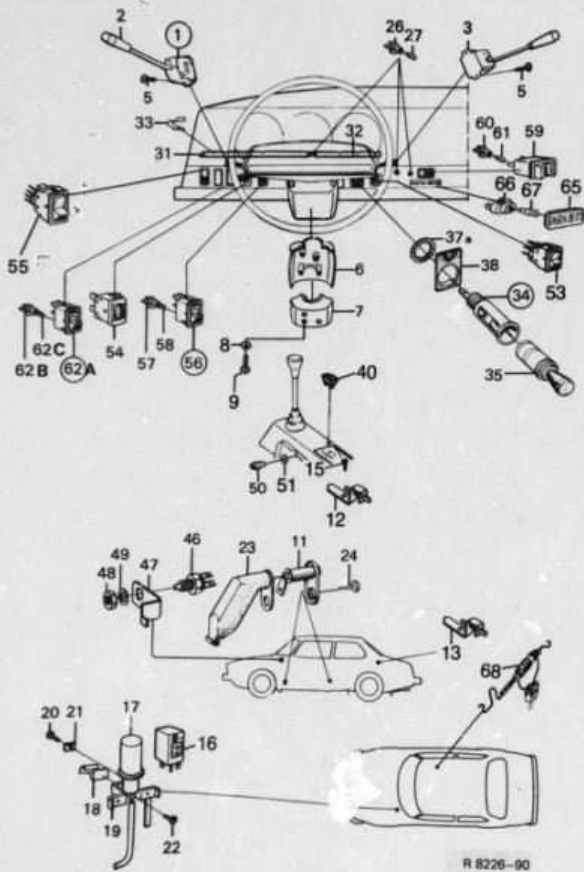
SAAB

SAAB 90 M85-87

1990-02

R6226

03-031



Electric equipment
Controls and switches

Elektrisk utrustning
Manöverdon och kontakter

1-110

1450	Part No	Part No/Art nr	Notes/Anmärkning	Qty/Anst	Description	Benämning
0280	1	85 30 883		1	Switch, direction indicator	Strömställare, körriktningsvisare
0280	2	85 30 891		1	Knob	Knapp
0400	3	85 33 135		1	Switch, windshield wiper/washer	Strömställare vindrutorkärl/spolare
0440	3	85 33 143		1	Switch, windshield wiper/washer	Strömställare vindrutorkärl/spolare
0480	5	79 22 644		4	Screw	Skruv
0520	6	85 11 198		1	Steering column cover	Rattlagerkäpa
0540	6	85 11 293		1	Steering column cover	Rattlagerkäpa
0580	7	85 11 206		1	Steering column cover	Rattlagerkäpa
0620	7	85 13 301		1	Steering column cover	Rattlagerkäpa
0760	8	80 73 090		3	Washer	Bricka
0740	9	79 34 482		3	Screw	Skruv
0830	11	85 77 793		2	Door switch	Dörrkontakt
0830	12	85 78 312		1	Switch	Kontakt
0840	13	85 89 220		1	Switch	Kontakt
1960	15	79 22 362		1	Screw	Skruv
1980	16	85 88 634		1	Interval relay	Intervallrelä
1990	17	85 74 527		1	Flasher unit	Blinkdon
1120	18	85 02 338		1	Clip	Clip
1160	19	85 22 443		1	Retainer	Hållare
1180	20	79 22 735		1	Screw	Skruv
1200	21	79 19 574		1	Clip	Clip
1220	22	79 22 347		1	Screw	Skruv
1250	23	85 68 882		2	Cover	Skydd
1260	24	79 21 895		2	Screw	Skruv
1380	26	85 00 712		3	Bulb socket	Lamphållare
1400	27	85 00 613		1	Bulb	Gödlampa
1440	31	85 32 509		1	Lighting guide	Ljusledare
1480	32	85 08 004		1	Lighting guide	Ljusledare
1490	33	85 07 865		4	Clip	Clip
1610	34	85 39 536		1	Cigarette lighter	Cigarettrandare kyl
1620	35	85 32 210		1	Pop-out unit	Järlig tändarenhet
1640	37A	85 32 426		1	Clip	Clip
1680	38	85 32 491		1	Cover washer	Täckbricka
1620	40	85 06 198	1985	1	Flip-over switch	Tangenströmställare
1630	40	85 51 904	1986	1	Flip-over switch	Tangenströmställare
1630	40	95 09 766	1987-	1	Flip-over switch	Tangenströmställare
1940	46	85 30 792		1	Brake light contact	Bromsljuskontakt
1980	47	85 28 259		1	Bracket	Konsole
1990	48	79 04 162		1	Nut	Mutter
1990	49	79 15 713		1	Washer	Bricka
1940	50	95 09 480		1	Back-up light contact	Backljuskontakt
1990	51	83 11 904		1	Washer	Bricka
2000	53	85 09 713		1	Switch, ventilation fan	Strömställare, ventilationsfläkt
2020	54	85 15 801		1	Reset, instruments illumination	Resstat, instrumentbelysning
2140	55	85 33 218		1	Switch, light	Strömställare, ljus
2200	56	85 32 798		1	Switch, warning flasher	Strömställare, varningsblink
2260	57	85 00 712		1	Bulb socket	Lamphållare
2260	58	85 00 613		1	Bulb	Gödlampa
2270	59	85 85 739		1	Switch, rear demist	Strömställare, efterkårlens
2280	60	85 00 712		1	Bulb socket	Lamphållare
2340	61	85 00 613		1	Bulb	Gödlampa

MASTER INDEX

- 0 General
 - 1 Tools
 - 2 Engine
 - 3 Electrical system, Instruments
 - 4 Transmission
 - 5 Brakes
 - 6 Front assembly, Steering
 - 7 Suspension, Wheels
 - 8 Body
 - 9 Tool, Labels
 - 10 Numerical register
- 3 GROUP INDEX
- Battery and battery cables
 - Alternator
 - Starter
 - Ignition system
 - Lighting
 - Electrical equipment, other
 - Wiring and fuses
 - Complete sets

1-H12

Electric equipment
Controls and switches

Elektrisk utrustning
Manöverdon och kontakter

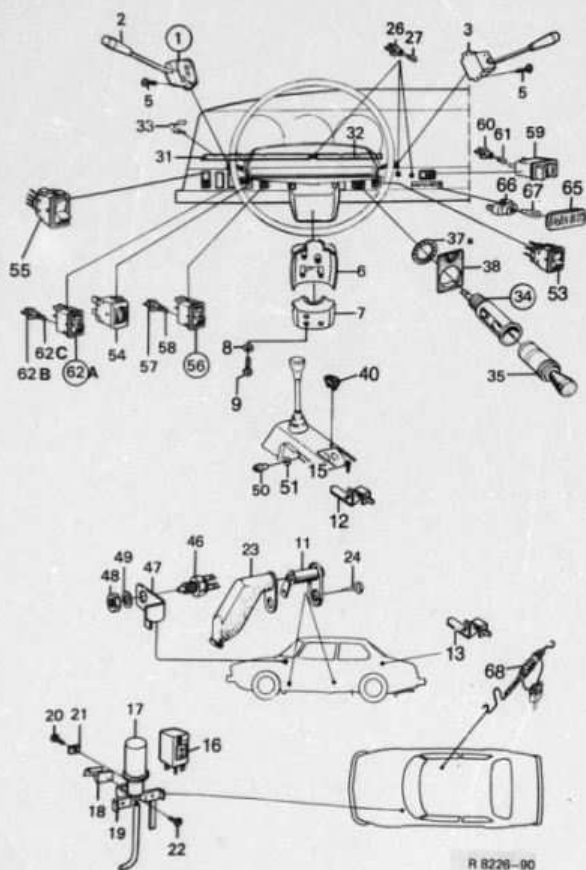
MASTER INDEX

1450	Part No./Article No.	Qty./Anmärkning	Descr./Beskrivning	Swedish	1
2425	62A	85 67 306	1	Switch, rear foglight	3
2426	62B	85 00 712	1	Bulb socket	3
2426	62C	85 00 813	1	Bulb	4
2440	65	40/238 286 009 see page 8-023, 2-824	1	Lens, seat belt warning lamp	2
2480	66	85 09 897	1	Bulb socket	5
2600	67	85 00 813	1	Bulb	2
2640	68	85 99 516	1	Switch, seat cushion	5

9	General	1-
1	Tools	1-
2	Engine	1-
3	Electrical system, Instruments	1-
4	Transmission	1-
5	Brakes	1-
6	Front assembly, Steering	1-
7	Suspension, Wheels	2-
8	Body	2-
9	Labels	2-
10	Numerical register	2-

3 GROUP INDEX

Battery and battery cables	1
Alternator	1
Starter	1
Ignition system	1
Lighting	1
Electrical equipment, other	1
Wiring and fuses	1
Complete sets	1



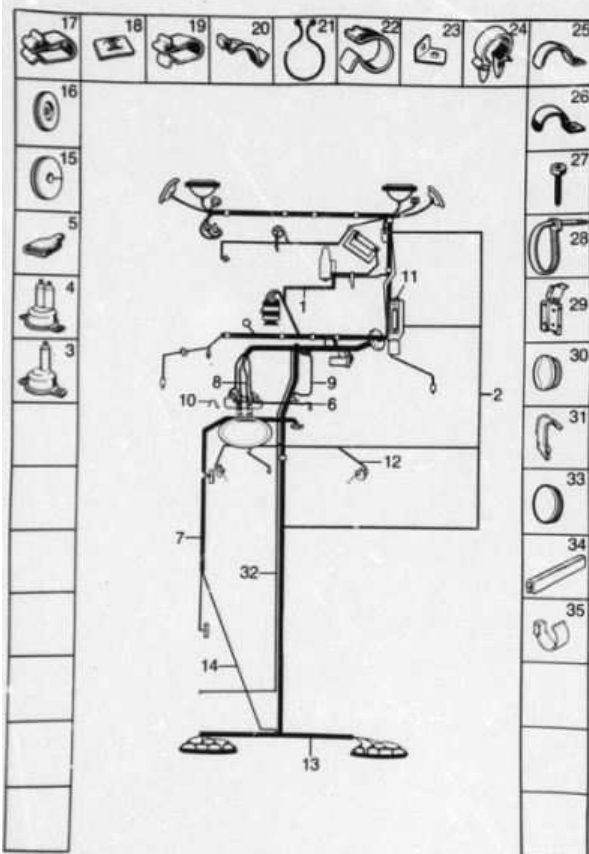
SAAB Original equipment

SAAB 90 M85-87

1990-02

R8226

03-035



RS372-90

1-H14

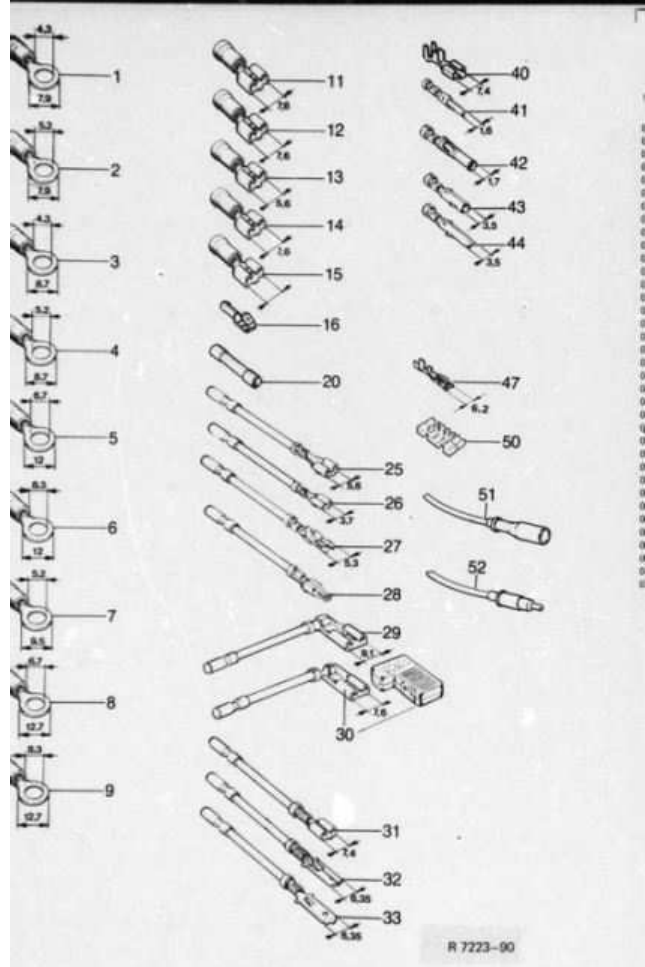
Wiring and fuses
Wiring and terminal board etc

Ledningar och säkringar
Ledningar och kopplingsplintar etc

MASTER INDEX

No	Part No/Art nr	Benämning	Qty/Avst	Description	Benämning
0020	1	85 96 173	1	Cable network	Ledningsnät
0025	1	85 59 899	1	Cable network	Ledningsnät
0045	2	95 52 631	1	Cable network	Ledningsnät
0049	2	95 57 950	1	Cable network	Ledningsnät
0060	3	85 34 968	2	Cover	Kåpa
0060	4	85 34 976	2	Cover	Kåpa
0070	5	85 72 083	2	Cover	Kåpa
0080	6	85 33 598	1	Cable network	Ledningsnät
0100	6	85 33 606	1	Cable network	Ledningsnät
0120	7	85 22 997	1	Cable network, interior light	Ledningsnät, innersidor
0130	7	85 22 997	1	Cable network, interior light	Ledningsnät, innersidor
0126	7	95 56 770	1	Cable network, interior light	Ledningsnät, innersidor
0140	8	85 61 664	1	Cable bunch	Kabelbunch
0140	9	85 29 265	1	Cable seat belt warning lamp	Kabel, bilbältesvarningslampa
0180	10	85 07 436	1	Cable	Kabel
0190	11	85 22 971	1	Cable, assy	Kabel kpl
0200	11	85 09 093	1	Fuse holder	Säkringshållare
0210	11	85 09 465	1	Fuse	Säkring
0220	12	85 70 210	1	Cable network, el pad	Ledningsnät, el sits
0230	12	85 70 228	1	Cable network, el pad	Ledningsnät, el sits
0240	12	85 70 236	1	Cable network	Ledningsnät
0260	13	85 69 701	1	Cable network	Ledningsnät
0280	14	85 75 698	1	Cable net work	Ledningsnät
0300	15	73 09 370	2	Grommet, horn	Busning, signalkorn
0310	15	73 26 093	2	Grommet	Busning
0320	16	79 61 329	2	Grommet	Busning
0330	17	71 56 409	X	Cable clip	Kabelclip
0340	18	79 19 574	X	Cable clip	Kabelclip
0350	19	79 51 783	X	Cable clip	Kabelclip
0360	20	85 58 066	2	Cable network	Kabelnät
0380	21	85 11 065	X	Cable clip	Kabelclip
0390	21	85 13 574	2	Cable clip	Kabelclip
0400	22	85 40 940	X	Cable clip	Kabelclip
0410	23	85 52 655	1	Restomer	Hållare
0420	24	85 06 135	2	Cable clip	Kabelclip
0430	24	85 36 419	1	Cable clip	Kabelclip
0450	24	85 39 587	1	Cable clip	Kabelclip
0470	25	79 49 084	1	Cable clamp	Kabelklemma
0480	26	79 48 068	1	Cable clamp	Kabelklemma
0490	27	79 22 891	X	Screw	Skriv
0500	27	79 22 347	X	Screw	Skriv
0510	27	79 61 949	X	Screw	Skriv
0530	28	85 17 104	X	Strap	Spännband
0540	28	83 74 357	X	Strap	Spännband
0550	28	79 71 880	X	Strap	Spännband
0560	29	85 69 360	1	Protective cover	Skyddplätt
0570	30	85 75 599	2	Rubber plug, front door	Gummiplugg, framdör
0590	30	70 38 342	4	Rubber plug, rear door	Gummiplugg, bakdör
0610	30	82 06 096	2	Rubber plug, door pillar	Gummiplugg, dörs stolpe
0620	31	85 85 325	1	Clip	Clip
0640	32	85 74 139	1	Aerial cable	Antennkabel
0660	33	95 50 476	1	Rubber plugg	Gummiplugg
0680	34	82 78 558	1	Wearing cover	Sitäl-yllt
0690	35	95 19 786	1	Clip	Clip

Group	Description	Page
0	General	1-A8
1	Tools	1-B8
2	Engine	1-D8
3	Electrical system, Instruments	1-G8
4	Transmission	1-H2
5	Brakes	1-K8
6	Front assembly, Steering	1-L8
7	Suspension, Wheels	2-A8
8	Body	2-B8
9	Tool, Labels	2-G8
10	Numerical register	2-H8
3 GROUP INDEX		
5	Battery and battery cables	1-G1
6	Alternator	1-G1
6	Starter	1-G1
6	Ignition system	1-G1
6	Lighting	1-G1
6	Electrical equipment, other	1-G1
6	Wiring and fuses	1-H1
6	Complete sets	1-H1



R 7223-90

1-H16

Wiring and fuses Replacement cable terminals

Ledningar och säkringar Kompletterings kabelskor

1780	Part No.	Part No. (UK)	Notes/Anmärkning	Qty./Antal	Description	Benämning
0020	1	71 55 211	3) 40/253 152 003	X	Cable terminal	Ledningssko
0040	2	71 55 229	3) 40/253 153 001	X	Cable terminal	Ledningssko
0060	3	71 55 237	4) 40/253 172 001	X	Cable terminal	Ledningssko
0080	4	71 17 880	4) 40/253 173 009	X	Cable terminal	Ledningssko
0100	5	78 29 617	4) 40/253 174 007	X	Cable terminal	Ledningssko
0120	6	79 58 348	4)	X	Cable terminal	Ledningssko
0140	7	71 55 658	5) 40/253 210 009	X	Cable terminal	Ledningssko
0160	8	78 29 666	5) 40/253 211 007	X	Cable terminal	Ledningssko
0180	9	78 29 674	5) 40/253 212 005	X	Cable terminal	Ledningssko
0200	11	78 29 609	2) 40/253 168 009	X	Cable terminal	Ledningssko
0220	12	78 29 625	6) 40/253 195 002	X	Cable terminal	Ledningssko
0240	13	79 69 231	7)	X	Cable terminal	Ledningssko
0260	14	78 29 682	3) 40/253 226 005	X	Cable terminal	Ledningssko
0280	15	78 29 633	6) 40/253 197 008	X	Terminal, headlight	Lyktanslutning
0300	16	78 29 641	6) 45/30 24 650	X	Piggy-back	Snabbförgränning
0320	20	71 55 203	3) 40/253 164 008	X	Joint sleeve	Skarvhylsa
0340	20	71 55 146	4) 40/253 188 007	X	Joint sleeve	Skarvhylsa
0360	20	71 55 633	5) 40/253 221 006	X	Joint sleeve	Skarvhylsa
0380	25	85 22 567	3)	X	Cable terminal	Ledningssko
0400	26	85 22 575	3)	X	Cable terminal	Ledningssko
0420	27	85 22 609	3)	X	Cable terminal	Ledningssko
0440	28	85 22 617	4)	X	Cable terminal	Ledningssko
0460	29	85 22 518	4)	X	Cable terminal	Ledningssko
0480	30	85 22 526	4)	X	Cable terminal	Ledningssko
0500	31	85 22 534	4)	X	Cable terminal	Ledningssko
0520	32	85 22 542	4)	X	Cable terminal	Ledningssko
0540	33	85 22 559	4)	X	Cable terminal	Ledningssko
0560	40	85 41 203	0.5-1.5 MM2	X	Cable terminal	Ledningssko
0580	41	85 44 272	0.5-1.5 MM2	X	Cable terminal	Ledningssko
0600	42	85 67 075	0.5-1.5 MM2	X	Cable terminal	Ledningssko
0640	43	85 44 298	0.5-1.5 MM2	X	Cable terminal	Ledningssko
0660	44	85 44 314	0.5-1.5 MM2	X	Cable terminal	Ledningssko
0670	47	85 68 788	0.5-1.5 MM2	X	Cable terminal	Ledningssko
0680	50	85 21 668	0.8-2.1 MM2	X	Bridge connector	Ledningsöverkoppling
0700	51	78 74 498		X	Cable terminal	Ledningssko, hylsa
0720	52	78 74 506		X	Cable terminal	Ledningssko, stift

- 2. Red colour code (area 0.3-1.5 mm²)
- 3. Red colour code (area 0.25-1.6 mm²)
- 4. Blue colour code (area 1.0-2.6 mm²)
- 5. Yellow colour code (area 2.7-6.6 mm²)
- 6. Blue colour code (area 1.5-2.5 mm²)
- 7. Blue colour code (area 1.0-3.4 mm²)

MASTER INDEX

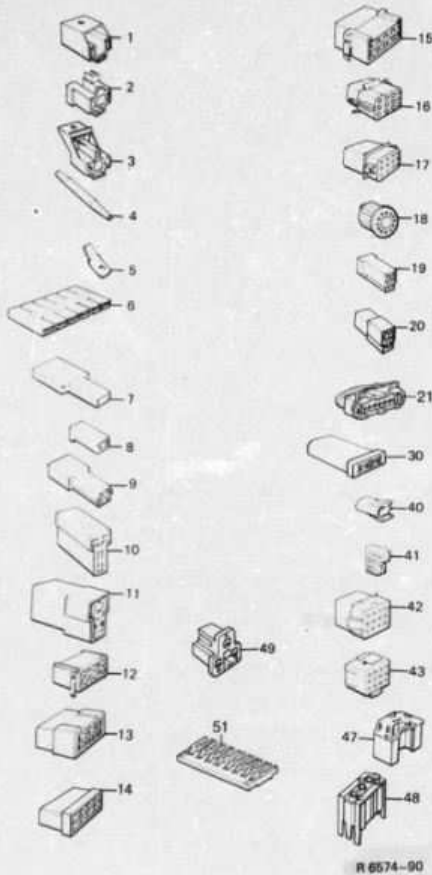
0	General	1-A02
1	Tools	1-B02
2	Engine	1-D02
3	Electrical system, Instruments	1-G02
4	Transmission	1-B02
5	Brakes	1-K02
6	Front assembly, Steering	1-L02
7	Suspension, Wheels	2-A02
8	Body	2-B02
9	Tool	2-G02
10	Labels Numerical register	2-H02
3 GROUP INDEX		
Battery and battery cables	1-G06	
Alternator	1-G08	
Starter	1-G10	
Ignition system	1-G12	
Lighting	1-G24	
Electrical equipment, other	1-H14	
Wiring and fuses	1-H14	
Complete sets	1-H24	

1-H18

Wiring and fuses
Connectors etc.

Ledningar och säkringar
Skarvhus, kontakthus etc

MASTER INDEX



R 6574-90

1750	Part No/An nr	Notes/Anmärkning	Qty/ Antal	Description	Swedish
9020	1	85 03 112		3-POLE	
9040	2	88 08 887		3-POLE	
9060	3	85 03 484		4-POLE	
9100	4	78 29 690		40/253 265 003	
9180	5	78 29 708		40/253 300 008	
9200	6	78 29 716		40/253 302 004	
9240	7	78 29 724		1-POLE	
9280	8	71 55 112		1-POLE	
9300	9	71 55 120		2-POLE	
9320	10	71 55 096		2-POLE	
9340	11	71 55 104		2-POLE	
9360	12	71 55 070		6-POLE	
9400	13	71 55 088		6-POLE	
9440	14	85 03 229		8-POLE	
9480	15	85 03 211		8-POLE	
9500	16	85 03 138		12-POLE	
9520	17	85 03 146		12-POLE	
9540	18	85 03 120		12-POLE	
9560	19	73 42 892		3-POLE	
9580	20	73 42 900		3-POLE	
9600	21	85 93 949		ELECTRONIC UNIT	
9620	30	83 7. 630		IGNITION SYSTEM	
9640	40	85 21 650		2-POLE	
9660	41	85 21 692		2-POLE	
9680	42	85 22 633		12-POLE	
9700	43	85 22 641		12-POLE	
9720	47	85 33 705		SWITCH WIPER-WASHER	
9740	48	85 30 669		LIGHT SWITCH	
9760	49	73 34 592		3-POLE	
9780	51	85 68 735		8-POLE, TAIL LIGHT	
9800					
9820					
9840					
9860					
9880					
9900					
9920					
9940					
9960					
9980					
1000					
1020					
1040					
1060					
1080					
1100					
1120					

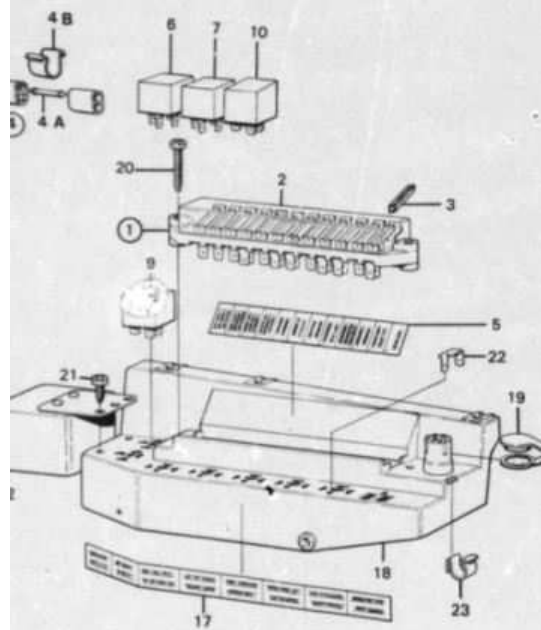
1	0	General	1-A8
1	1	Tools	1-B8
2	2	Engine	1-D8
3	3	Electrical system, instruments	1-G8
4	4	Transmission	1-H2
5	5	Brakes	1-K8
6	6	Front assembly, steering	1-L8
7	7	Suspension, wheels	2-A8
8	8	Body	2-B8
9	9	Tool, labels	2-G8
10	10	Numerical register	2-H8
3 GROUP INDEX			
4	4	Battery and battery cables	1-G4
4	4	Alternator	1-G4
4	4	Starter	1-G1
4	4	Ignition system	1-G1
4	4	Lighting	1-G1
4	4	Electrical equipment, other	1-G1
4	4	Wiring and fuses	1-H1
4	4	Complete sets	1-H2

Wiring and fuses
Fuse box, fuses

Ledningar och säkringar
Säkringsdosa, säkringar

1-H20

MASTER INDEX



R 7776-90

Part No.	Part Name	Description	Swedish
0120	1	Fuse box assembly	Säkringsdosa saml
0140	2	Cover	Lock
0160	3	Fuse	Säkring
0180	3	Fuse	Säkring
0200	3	Fuse	Säkring
0220	4	Fuse holder	Säkringållare
0240	4A	SA, EU	Säkring
0260	4B	7951 783	Clip
0280	5	85 81 019	SWEDISH TEXT
0300	5	85 81 035	ENGLISH TEXT
0320	5	85 81 027	FINNISH TEXT
0340	5	85 81 043	GERMAN TEXT
0360	5	85 22 310	COOLING FAN
0380	7	85 33 176	IGNITION LOCK
0400	9	85 22 310	ELECTRICAL REAR WINDOW
0420	10	85 33 250	HEADLIGHTS
0440	12	85 60 897	HEADLIGHTS
0460	17	85 33 093	Label, relay, english
0480	17	85 33 085	Label, relay, swedish
0500	17	85 33 085	Label, relay, french
0520	18	85 26 427	Bracket
0540	19	85 28 077	Bracket
0560	20	78 22 478	Screw
0580	21	79 22 420	Screw
0600	22	85 36 328	Screw
0620	23	85 13 574	Connector joint
0640	24	85 13 574	Clip

Part No.	Part Name	Description	Swedish
0	General		
1	Tools		
2	Engine		
3	Electrical system		
4	Transmission		
5	Brakes		
6	Front assembly		
7	Steering		
8	Suspension		
9	Wheels		
10	Body		
11	Tool		
12	Labels		
13	Numerical register		

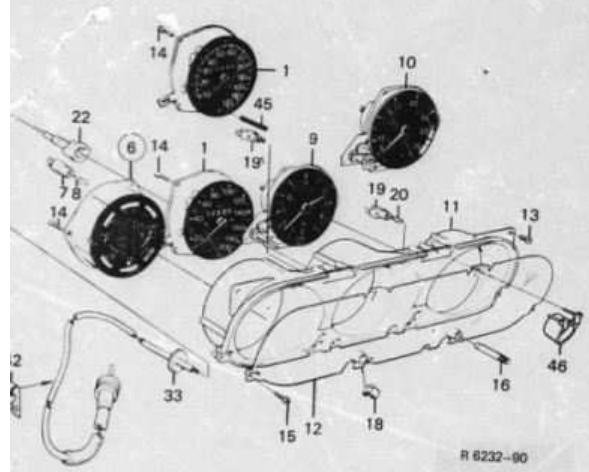
3 GROUP INDEX

Battery and battery cables	1-G06
Alternator	1-G08
Starter	1-G10
Ignition system	1-G12
Lighting	1-G18
Electrical equipment, other	1-G24
Wiring and fuses	1-G14
Complete sets	1-G24

1-H22 Instruments

Instrument

MASTER INDEX



1986	Pos.	Part No. for 1986	Notes, Arrangements	Qty. Actual	Description	Swedish
0070	1	85 75 649	1985	1	Speedometer Km	Hastighetsmätare Km
0071	1	85 78 858	1986-	1	Speedometer Km	Hastighetsmätare Km
0075	1	85 78 858	SW, 5-SPEED	1	Speedometer Km	Hastighetsmätare Km
0280	1	85 75 656	GB	1	Speedometer Miles	Hastighetsmätare Miles
0400	1	85 82 066	GB, 5-SPEED	1	Speedometer Miles	Hastighetsmätare Miles
0420						
0895	6	85 94 228		1	Combined instrument	Kombinationsinstrument
0896						
0896	7	88 55 298		6	Bulb socket	Lampsockel
0898	8	85 00 613	40/238 286 009	6	Bulb	Lampglöda
1040	9	85 76 680	1985	1	Clock	Klocka
1040	10	85 83 395		1	Tachometer with clock	Varvräknare m. klocka
1080	11	85 08 053		1	Instrument casing	Instrumenthus
1120	12	85 32 368		1	Covering glass, with trimmer hole	Täckglas, med trimmerhål
1180	13	79 22 354		4	Screw	Skruv
1180	14	79 22 222		14	Screw	Skruv
1200	15	79 22 156		6	Screw	Skruv
1220	16	85 09 721		1	Knob	Knapp
1280	18	85 07 873		1	Plug	Plugg
1300	19	85 09 697		2	Bulb socket	Lampsockel
1320	20	85 00 613	40/238 286 009	2	Bulb	Glödampa
1410	22	85 59 973		1	Speedometer wire	Hastighetsmätarkabel
1530	22	85 59 981		1	Speedometer wire	Hastighetsmätarkabel
1680	33	85 20 421		1	Grommet	Genomföringsbussning
2080	42	85 28 564		1	Clip	Clip
2520	43	79 22 974		1	Screw	Skruv
2540	44	79 71 880	RHO	1	Clip	Clip
2660	45	85 32 376	FOR TITPMETER	1	Knob	Knapp
2080	46	85 32 806	GREEN	2	Light filter	Lampfilter

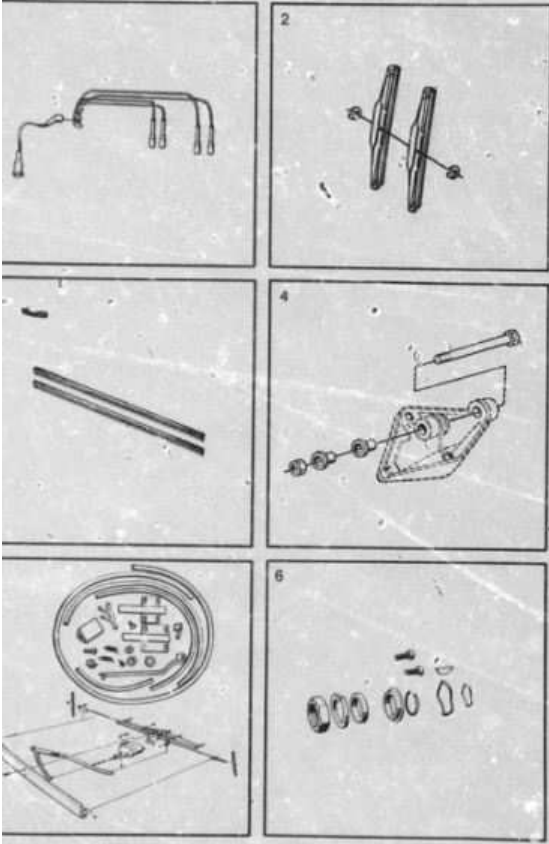
0	General	1-002
1	Tools	1-032
2	Engine	1-062
3	Electrical system, Instruments	1-082
4	Transmission	1-082
5	Brakes	1-082
f.	Front assembly, Steering	1-082
7	Suspension, Wheels	2-002
8	Body	2-002
9	Tool	2-002
10	Labels	2-002
	Numerical register	2-002
3 GROUP INDEX		
	Battery and battery cables	1-006
	Alternator	1-008
	Starter	1-010
	Ignition system	1-012
	Lighting	1-016
	Electrical equipment, other	1-024
	Wiring and fuses	1-034
	Complete sets	1-024

1-H24

Complete sets
Electrical system

Satsor
Elektriskt system

MASTER INDEX



Part No/Part n	Notes/Anmärkning	Qty/Anst	Description	Beskrivning
93 37 246		X	SET, IGNITION CABLES	SATS, TÄNDKABLAR
75 11 157		1	Ignition cable	.Tändkabel, förlängnings
			Ignition coil	.spole
75 61 061	(9355926)	1	Ignition cable, cyl 1	.Tändkabel, cyl 1
75 61 079	(9355934)	1	Ignition cable, cyl 2	.Tändkabel, cyl 2
75 61 087	(9355942)	1	Ignition cable, cyl 3	.Tändkabel, cyl 3
75 61 095	(9355959)	1	Ignition cable, cyl 4	.Tändkabel, cyl 4
88 15 649		X	KIT, WIPER BLADE	SATS, TORNKARBLAD
			HEADLIGHT WIPER	STRÅLKASTARTORKARE
85 12 717		2	Wiper blade	.Torkarblad
85 11 269		2	Lock clip	.Spärrytare
85 46 301		X	SET, RUBBER PROFILE	SATS, GUMMIPROFIL
85 36 641		2	Rubber profile	.Gummaprofil
93 37 593		X	REPAIR KIT, ALTERNATOR BRACKET	REPARATIONSSATS, GENERATORÅSTÄ
75 10 308		1	Rubber bushing	.Gummbussning
75 10 332		1	Rubber bushing	.Gummbussning
80 84 071		1	Screw	.Skruv
80 74 106		1	Nut	.Mutter
95 45 212		X	KIT, HEADLIGHT WIPERS AND WASHERS	SATS, STRÅLKASTARTORKARE OCH SKOLAF
85 11 610		1	Wiper mechanism	.Torkarmekanism
85 07 089		1	Motor	.Motor
70 96 944		1	Nut	.Mutter
88 02 175		1	Washer	.Bjucka
79 34 789		1	Screw	.Skruv
85 35 353		1	Motor support	.Motorfäste
79 22 719		5	Screw	.Skruv
85 65 350	(7107238, 7155690)	1	Seal nut	.Tätning
85 22 296		1	Relay	.Relä
85 10 125		2	Jet	.Munstycke
85 33 366		1	Hose	.Slang
85 33 267		1	Hose	.Slang
85 18 656		1	Hose	.Slang
85 23 341		1	Hose	.Slang
85 10 091		1	Branch tube	.Grenrör
85 41 534		1	Crank arm	.Vevarm
80 19 887		1	Screw	.Skruv
79 33 443		4	Clip	.Clip
71 55 500		4	Clip	.Clip
85 72 653		X	PART KIT, ROTOR	DELATSATS, ROTOR

Index	Index
0	General
1	Tools
2	Engine
3	Electrical system, Instruments
4	Transmission
5	Brakes
6	Front assembly, Steering
7	Suspension, Wheels
8	Body
9	Tools
10	Label register
11	Numerical register

GROUP INDEX

Battery and battery cables	1-G28
Alternator	1-G28
Starter	1-G18
Ignition system	1-G12
Lighting	1-G16
Electrical equipment, other	1-G24
Wiring and fuses	1-H14
Complete sets	1-H24

B. 9299-90

www.saab-90.nl