

5

Bromsar
Brakes
Bremsen
Freins
Frenos

BRAKES

BROMSAR

1-K02

0050
0020
0040
0060
0080
0100
0120
0140
0160
0180
0200
0220
0240
0260
0280
0300
0320
0340
0360
0380
0400
0420
0440
0460
0480
0500
0520
0540
0560
0580
0600
0620
0640
0660
0680
0700
0720
0740
0760
0780
0800
0820
0840
0860
0880
0900
0920
0940
0960
0980
1000
1020
1040
1060
1080
1100
1120

TABLE OF CONTENTS

Front wheel brake	5 : 5	1-K06
Rear wheel brake	5 : 7	1-K08
Footbrake system		
Master cylinder and power brake unit	5 : 9	1-K10
Brake lines	5 : 11	1-K12
Brake operation	5 : 13	1-K14
Parking brake system	5 : 15	1-K16
Complete sets		
Brakes	5 : 17	1-K18

Framhjulsbroms	5 : 5	1-K06
Bakhjulsbroms	5 : 7	1-K08
Fotbromssystem		
Huvudcylinder och vakuum servo	5 : 9	1-K10
Bromsledningar	5 : 11	1-K12
Bromsmanövrering	5 : 13	1-K14
Parkeringsbromssystem	5 : 15	1-K16
Satser		
Bromsar	5 : 17	1-K18

INHALTSVERZEICHNIS

Vorderradbremse	5 : 5	1-K06
Hinterradbremse	5 : 7	1-K08
Fußbremssystem		
Hauptbremszylinder und unterdruckservo	5 : 9	1-K10
Bedienungsorgan	5 : 11	1-K12
Handbremssystem	5 : 13	1-K14
Komplette Sätze	5 : 15	1-K16
Bremsen	5 : 17	1-K18

TABLE des matières

Freins AV	5 : 5	1-K06
Freins AR	5 : 7	1-K08
Maître-cylindre et assistance à vide	5 : 9	1-K10
Commandes de frein	5 : 11	1-K12
Commande du frein au pied	5 : 13	1-K14
Système de frein à main	5 : 15	1-K16
Jeux complets		
Freins	5 : 17	1-K18

MASTER INDEX

6	General	1
1	Tools	1
2	Engine	1
3	Electrical system, instruments	1
4	Transmission	1
5	Brakes	1
6	Front assembly, steering	1
7	Suspension, wheels	2
8	Body	2
9	Tools	2
	Labels	2
10	Numerical register	2

S GROUP INDEX

Front wheel brake	1
Rear wheel brake	1
Footbrake system	1
Parking brake system	1
Complete sets	1

1-K03

SUMARIO

Freno del	5 : 5	1-K06
Freno tras	5 : 7	1-K08
Sistema de freno de pie		
Cilindro principal y servoasistencia	5 : 9	1-K10
Conductores de freno	5 : 11	1-K12
Mando de freno de pie	5 : 13	1-K14
Sistema de freno de mano	5 : 15	1-K16
Juegos completos		
Frenos	5 : 17	1-K18

MASTER INDEX

- 0 General
- 1 Tools
- 2 Engine
- 3 Electrical system, instruments
- 4 Transmission
- 5 Brakes
- 6 Front assembly, Steering
- 7 Suspension, Wheels
- 8 Body
- 9 Tool, Labels
- 10 Numerical register

5 GROUP INDEX

- Front wheel brake
- Rear wheel brake
- Footbrake system
- Parking brake system
- Complete sets

1-K06

Front wheel brake

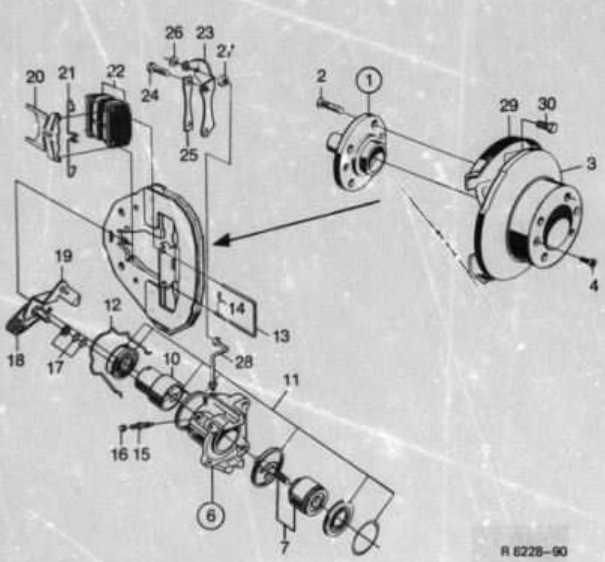
Framhjulsbroms

MASTER INDEX

QTY	Part No./Code	Notes/Remarks	Description	Swedish
2	89 42 773		Wheel hub Assy	Hjulnav kpl
2	91 03 607		Wheel hub Assy	Hjulnav kpl
2	89 07 941		Wheel screw	Hjulskruv
2	89 41 981		Brake disc	Bromaskiva
4	80 55 998		Screw	Skruv
1	89 85 871	4L LH	Brake housing Assy	Bromhus kpl
1	89 85 889	4L RH	Brake housing Assy	Bromhus kpl
1	91 02 807	1,4L LH	Brake housing Assy without pads	Bromhus kpl utom klotsar
1	91 02 815	1,4L RH	Brake housing Assy without pads	Bromhus kpl utom klotsar
2	91 03 474	see page 5-019, 1-K20	Kit, piston	Kolvset
1	89 31 933	LH	Piston	Kolv
1	89 31 941	RH	Piston	Kolv
2	89 33 255	see page 5-019, 1-K20	Gasket set	Packningssats
2	89 41 965		Spring	Fjäder
2	89 90 194		U-pin	U-pinne
2	89 25 067		Clip	Clip
2	89 25 034		Bleeding screw	Lufningsaknöv
2	89 25 042		Protective cover	Skyddskåpa
2	89 94 535	see page 5-019, 1-K20	Seal kit, hand brake	Sett tätning, handbroms
1	89 25 372	LH	Spring, hand brake	Fjäder, handbroms
1	89 25 380	RH	Spring, hand brake	Fjäder, handbroms
1	89 25 414	LH	Lever, hand brake	Hävarm, handbroms
1	89 25 422	RH	Lever, hand brake	Häv arm, handbroms
2	89 30 448		Damper plate	Dämpplåt
2	89 30 483	1985	Spring	Fjäder
2	91 03 995	1986-	Spring	Fjäder
2	89 93 283	-1985	Brake pad set	Bromsklotssats
1	91 02 690	see page 5-017, 1-K18	Brake pad set	Bromsklotssats
1	91 02 708	1987- OUTER SIDE, 2-PACK see page 5-017, 1-K18	Brake pad set	Bromsklotssats
1	91 02 708	1987- INNER SIDE, 2-PACK see page 5-017, 1-K18	Brake pad set	Bromsklotssats
1	89 26 214	LH	Brake hose bracket	Bromslångkåpsol
1	89 26 222	RH	Brake hose bracket	Bromslångkåpsol
4	89 26 198		Screw	Skruv
2	89 30 110		Lock plate	Låsplåt
2	79 33 856	(7968480)	Washer	Bricka
2	63 15 558		Nut	Mutter
1	89 26 230	LH	Brake pipe	Broms rör
1	89 26 248	RH	Brake pipe	Broms rör
2	89 90 517		Protective plate	Skyddplåt
6	80 19 887		Screw	Skruv
X	78 74 548	(7873698) see page 5-017, 1-K18	Repar set, brake pad	Repar set, bromsklots

0	General
1	Tools
2	Engine
3	Electrical system, instruments
4	Transmission
5	Brake
6	Front assembly, Steering
7	Suspension, Wheels
8	Body
9	Tool
10	Labels
10	Numerical register

5	GROUP INDEX
4	Front wheel brake
4	Rear wheel brake
4	Footbrake system
4	Parking brake system
1	Complete sets



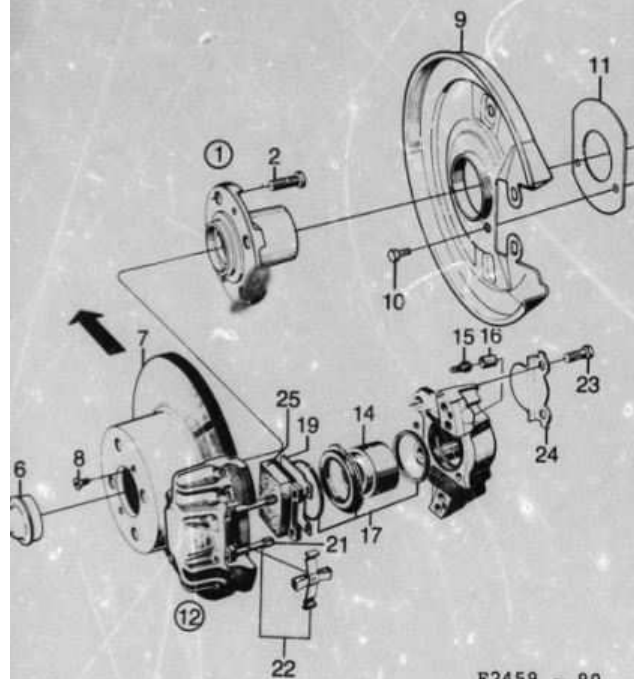
1. See SI 523-678, for USA see SI 09/86-847
 2. Ch. --H7015 180
 3. Ch. H7015 181 --
 4. Also available as exchange unit

1-K08

Rear wheel brake

Bakhjulsbroms

MASTER INDEX



F2459 - 90

QTY/Assembled	Description	Swedish
2	Wheel hub assy with bearing and screw	Hjulhus kpl med lager och skruv
6	Wheel screw	Hjulskruv
2	Cap	Kapsel
2	Brake disc	Bromsaskiva
4	Screw	Skruv
1	Protective plate	Skyddsplåt
1	Protective plate	Skyddsplåt
4	Screw	Skruv
2	Guide ring	Styrning
1	Brake housing assy	Bromshus kpl
1	Brake housing assy	Bromshus kpl
1	Brake housing assy	Bromshus kpl
1	Brake housing assy	Bromshus kpl
1	Platen	Kolv
2	Bleeding screw	Luftningsaknöv
2	Protective cover	Styddöcke
2	Gasket set	Packningsatts
2	Twist stop	Vridstopp
2	Twist stop	Vridstopp
1	Kit, lock pin	Sett, låspinne
1	Kit, retaining spring-lock pin	Sett, hållfjäder-låspinne
4	Screw	Skruv
2	Lock plate	Låsplåt
1	Brake pad set	Bromsklotsatts

4. Also available as exchange unit

SAAB Original parts Original tillverkare

SAAB 90 M85-87

1990-02

F2459

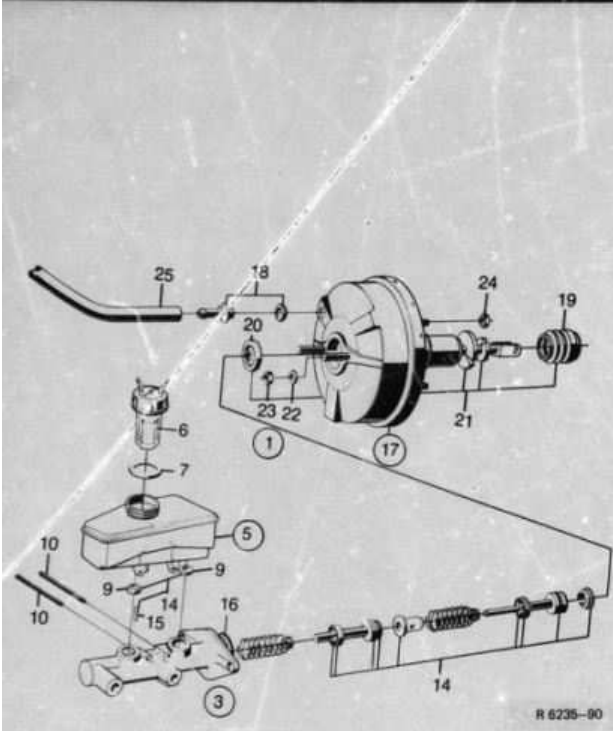
05-007

MASTER INDEX

0	General	1
1	Tools	1
2	Engine	1
3	Electrical system, instruments	2
4	Transmission	2
5	Brakes	2
6	Front assembly, steering	2
7	Suspension	2
8	Wheels	2
9	Body	2
10	Labels	2
11	Labels	2
12	Numerical register	2

5 GROUP INDEX

Front wheel brake	1
Rear wheel brake	1
Footbrake system	1
Parking brake system	1
Complete sets	1



1-K10

Footbrake system Master cylinder and power brake unit

Fotbromssystem Huvudcylinder och vakuumservo

Qty	Part No./Ref. No.	Description	Benämning
1	89 45 396	SUPERSEDED BY 9100629, 8945695, 7874472	Huvudcylinder med vakuumservo
3	89 48 135	1985, SUPERSEDED BY 9100629, 7874472	Huvudcylinder
3	91 00 629	1985-	Huvudcylinder
5	89 94 964	1985	Behållare kpl
5	89 35 421	1985-	Behållare kpl
5	89 36 080	1985	Nivåvarnare
6	91 00 595	1985-	Nivåvarnare
7	89 36 106		Tätning
9	89 28 426		Packning
10	89 37 831		Retaining pin
14	89 93 305	see page 5-017, 1-K18	Sets iättringar
15	89 28 434		Sets stoppiner
16	89 47 178		O-ring
17	89 45 685		Vakuumservo
18	89 93 289		Sets, backventil
19	89 28 541		Gummibåg
20	89 29 010	see page 5-018, 1-K20	Tätning
21	91 10 705		Sets tätning
22	79 10 565		Bricka
23	80 73 942		Mutter
24	80 74 288		Mutter
25	89 45 404		Vakuumslang
25	89 45 404	RHO (8931743) CUT TO 227 MM	Vakuumslang

MASTER INDEX

0	General
1	Tools
2	Engine
3	Electrical system, Instruments
4	Transmission
5	Brakes
6	Front assembly, Steering
7	Suspension, Wheels
8	Body
9	Tool, Labels
10	Numerical register

5 GROUP INDEX

5	Front wheel brake
5	Rear wheel brake
5	Footbrake system
5	Parking brake system
5	Complete sets

1-K12

Footbrake system Brake lines

Fotbromssystem Bromsledningar

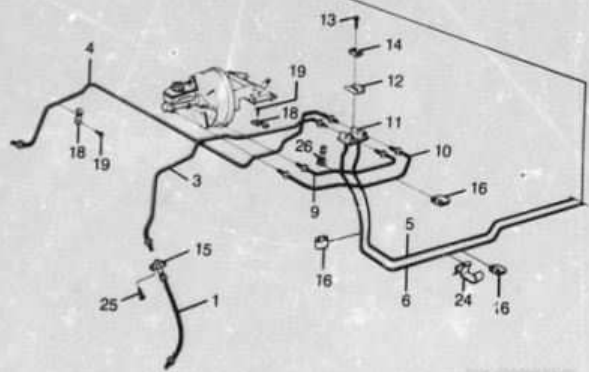
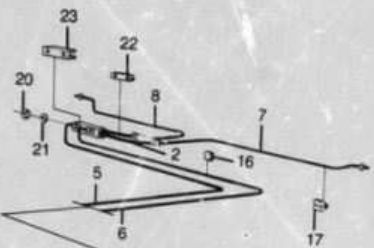
MASTER INDEX

Qty	Part No./Ref. No.	Description	Swedish	Group
2	89 40 819	Brake hose	Bromsledning	1-4
2	89 31 784	Brake hose	Bromsledning	1-8
1	89 29 119	Brake pipe, wheel house	Bromsrör, hjulhus	1-0
1	89 45 164	Brake pipe, wheel house	Bromsrör, hjulhus	1-0
1	89 89 733	Brake pipe	Bromsrör	1-4
1	89 89 741	Brake pipe	Bromsrör	1-8
1	89 40 744	Brake pipe	Bromsrör	1-0
1	89 40 751	Brake pipe	Bromsrör	1-8
1	89 37 716	Brake pipe	Bromsrör	1-4
1	89 37 724	Brake pipe	Bromsrör	1-4
1	89 28 947	Inner nipple	Genomföringsnippel	2-4
12	89 29 671	Distancing plate	Förstyvningsskiva	2-8
13	80 97 858	Screw	Skruv	2-0
14	89 33 335	Seal washer	Tätningbricka	2-4
15	89 28 756	Nipple	Nippel	2-8
16	89 08 162	Pipe retainer	Rörhållare	1-4
17	89 15 490	Pipe retainer	Rörhållare	1-4
18	89 07 966	Pipe clamp	Rörklamma	1-4
19	79 22 991	Screw	Skruv	1-4
20	83 15 558	Nut	Mutter	1-4
21	79 33 856	Washer	Bricka	1-4
22	89 23 259	Retainer, brake hose	Hållare, bromsledning	1-4
23	89 31 739	Lock plate	Låsplåt	1-4
24	89 31 481	Clamp	Klamme	1-4
25	79 22 891	Screw	Skruv	1-4
26	89 39 670	Clamp	Klamme	1-4

Group	Description
0	General
1	Tools
2	Engine
3	Electrical system
4	Instruments
5	Transmission
6	Brakes
7	Front assembly, Steering
8	Suspension, Wheels
9	Body
10	Tool, Labels
11	Numerical register

GROUP INDEX

Front wheel brake	1-4
Rear wheel brake	1-4
Footbrake system	1-4
Parking brake system	1-4
Complete sets	1-4

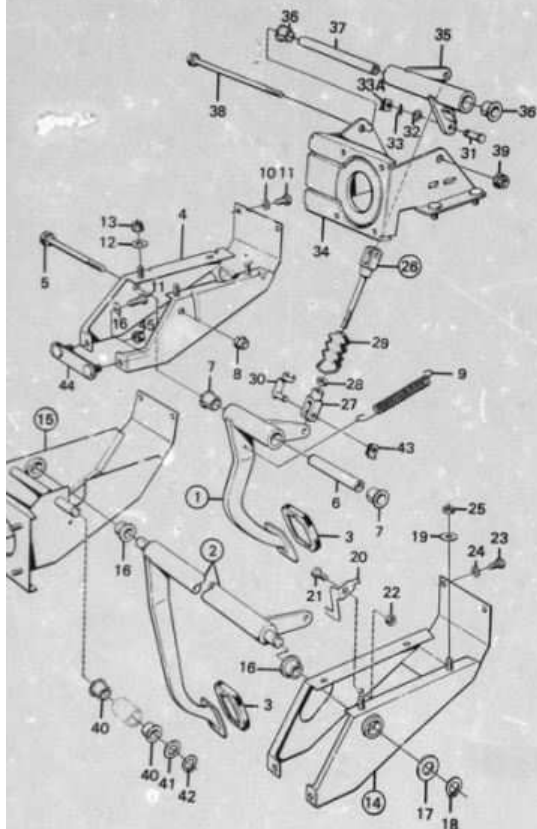


R 6236-90

Footbrake system
1-K14 Brake operation

Fotbromssystem
Bromsmanövrering

MASTER INDEX



R 7372-00

QTY	Part No./Lot no.	Description	Swedish
0200	1	89 24 458	
0300	2	89 27 055	RHD
0140	3	71 93 188	
0220	4	89 24 391	
0240	5	80 84 253	
0200	6	89 24 482	
0290	7	89 24 516	
0300	8	80 73 538	
0320	9	89 14 442	
0340	10	79 33 840	
0280	11	80 82 919	
0280	12	89 29 531	
0400	13	79 67 953	
0420	14	89 29 192	LH, RHD
0440	15	89 89 428	RH, RHD
0460	16	89 12 115	RHD
0480	17	80 30 068	RHD
0500	18	79 63 150	RHD
0520	19	89 29 531	
0540	20	89 27 220	RHD
0560	21	80 82 927	RHD
0580	22	80 74 106	RHD
0600	23	80 82 919	RHD
0620	24	79 33 849	RHD
0640	25	79 67 953	RHD
0660	26	89 28 420	
0700	27	89 24 557	
0720	28	80 73 942	
0740	29	89 26 461	
0760	30	89 33 509	
0780	31	79 09 989	-1985
0780	31	80 54 443	1985-
0800	32	80 73 249	-1985
0800	33	79 04 394	1985-
0820	33A	82 52 553	1986-
0840	34	89 24 581	
0860	35	89 24 623	
0880	36	89 48 051	
0900	37	89 24 508	
0920	38	89 26 479	
0940	39	80 73 538	
0960	40	89 24 516	
1000	41	80 30 068	RHD
1040	42	79 63 150	RHD
1080	43	82 52 553	
1100	44	89 50 487	
1120	45	79 67 953	

QTY	Description	Swedish
1	Brake pedal assy	Bromspedal kpl
1	Brake pedal assy	Bromspedal kpl
1	Pedal rubber	Pedalgummi
1	Bracket	Konsol
1	Screw	Skruv
1	Distance tube	Distansrör
2	Bushing	Bussning
1	Nut	Mutter
1	Spring	Fjäder
4	Washer	Bricka
4	Screw	Skruv
3	Seal washer	Tätningsskiva
4	Nut	Mutter
1	Bracket	Konsol
1	Bracket	Konsol
2	Bushing	Bussning
1	Washer	Bricka
1	Lock washer	Spärrytare
7	Seal washer	Tätningsskiva
1	Stop, accelerator control	Stopp, gasreglage
1	Screw	Skruv RHD
5	Nut	Mutter
6	Screw	Skruv
10	Washer	Bricka
2	Nut	Mutter
1	Draw rod assy	Dragstång kpl
1	Fork	Gaffel
2	Nut	Mutter
1	Rubber bellows	Gummibälj
2	Clamp	Låsbygel
1	Shaft bolt	Åsaxelbult
1	Shaft bolt	Åsaxelbult
1	Washer	Bricka
1	Cotter pin	Säkringsspica
1	Clip	Säkringsclipa
1	Bracket	Konsol
1	Intermediate shaft	Mellanaxel
2	Bushing	Bussning
1	Distance tube	Distansrör
1	Screw	Skruv
1	Nut	Mutter
2	Bushing, clutch pedal	Bussning, kopplingspedal
1	Washer, clutch pedal	Bricka, kopplingspedal
1	Lock washer, clutch pedal	Spärrytare, kopplingspedal
2	Clip	Säkringsspica
1	Screw plate	Skruvplatta
2	Nut	Mutter

5 GROUP INDEX

0	General	1-A02
1	Tools	1-B02
2	Engine	1-D02
3	Electrical system, Instruments	1-G02
4	Transmission	1-H02
5	Brake	1-K02
6	Front assembly, Steering	1-L02
7	Suspension	
8	Wheels	2-A02
9	Body	2-B02
10	Labels	
10	Numerical register	2-H02

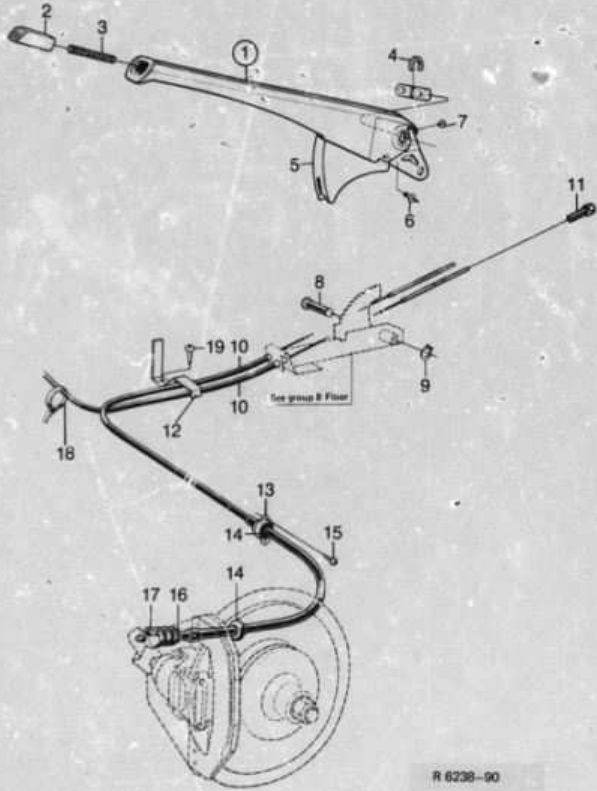
5 GROUP INDEX

1-K01	Front wheel brake	1-K01
1-K02	Rear wheel brake	1-K02
1-K11	Footbrake system	1-K11
1-K12	Parking brake system	1-K12
1-K13	Complete sets	1-K13

1-K16

Parking brake system

Parkeringsbromssystem



R 6238-90

Q480	Part No./Den v	Navn/Beskrivelse	Qty/Anst	Beskrivelse	Benævnelse
8110	1 89 46 964		1	Lever assembly	Spak kpl
8130	2 89 46 681		1	Button	Tryckknapp
8130	3 71 80 607		1	Spring	Fjäder
8135	4 89 46 658		1	Ring	Spårning
8140	5 87 06 383		1	Sealing cover	Tätninglock
8180	6 97 08 066		2	Blind rivet	Blindnål
8180	7 89 85 038		1	Plastic plug	Plastplugg
8185	8 89 46 709		1	Shaft bolt	Axelbult
8190	9 78 15 083		1	Ring	Spårning
8200	10 88 27 916		2	Handbrake cable	Handbromskabel
8230	11 88 85 459		2	Adjusting nut	Justermutter
8230	12 89 47 574		1	Cable retainer	Kabelhållare
8280	13 89 08 121		2	Retainer	Hållare
8210	14 89 08 129		4	Ring	Ring
8280	15 79 22 891		4	Screw	Skruv
8290	16 79 15 083		2	Ring	Spårning
8300	17 88 27 923		2	Protective bellows	Skjoldtblåg
8310	18 79 71 880		1	Strap	Spårband
8320	19 79 72 806		1	Screw	Skruv

MASTER INDEX

0	General	1-102
1	Tools	1-802
2	Engine	1-002
3	Electrical system	
4	Instruments	1-002
5	Transmission	1-402
6	Brakes	1-802
7	Front assembly	
8	Steering	1-102
9	Suspension	
10	Wheels	2-802
11	Body	2-802
12	Tool	
13	Labels	2-002
14	Numerical register	2-802

5 GROUP INDEX

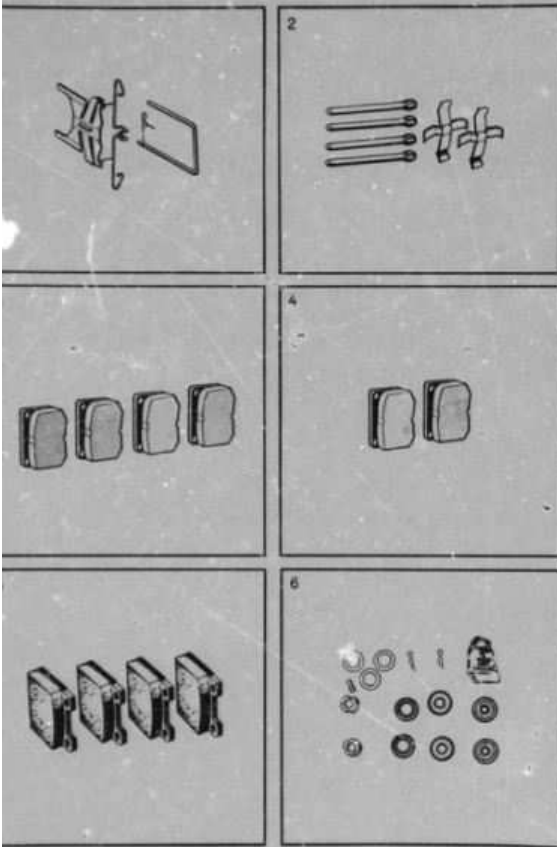
Front wheel brake	1-K06
Rear wheel brake	1-K08
Footbrake system	1-K10
Parking brake system	1-K16
Complete sets	1-K18

1-K18

Complete sets
Brakes

Satsar
Bromsar

MASTER INDEX



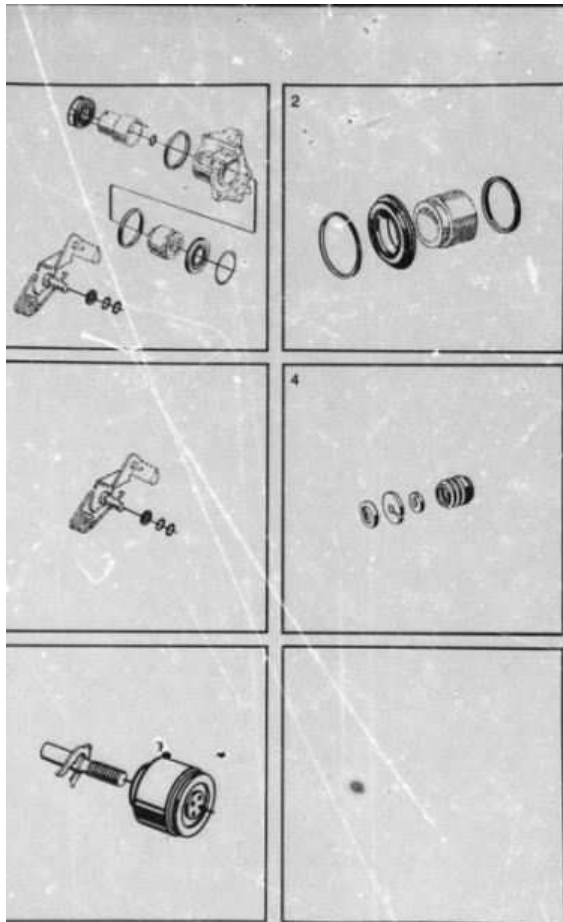
K 9286-90

Q500	Pos	Fart No/Art nr	Navn/Användning	Qty/ Antal	Description	Beskrivning	1
0020	1	78 74 548			X SET, HOLDER BRAKE	SATS, HÅLLARE	1
0040					PADS, FRONT	BROMSKLOTSSAR, FRAM	2
0080		89 30 448			2 Dampor plate	.Dämpplåt	2
0080		89 25 067			2 Clip	.Clip	5
0100		89 90 194			2 U-pin	.U-pinne	2
0130		89 30 483			2 Spring	.Fjäder	2
0140	2	78 74 530			X SET, RETAINING SPRING, BRAKE REAR	SATS, HÅLLFJÄDER	2
0160					2 Retainer spring	.Hållfjäder	2
0200		89 08 543			4 Lock pin	.Låspinne	2
0220		89 08 766					
0240	3	89 33 263	-1986		X BRAKE PAD SET, FRONT	BROMSKLOTSSATS, FRAM	1
0280		89 85 236			4 Brake pad	.Bromsklot	1
0300	4	91 02 690	1987-, OUTER		X BRAKE PAD SET, FRONT	BROMSKLOTSSATS, FRAM	1
0320		89 85 236			2 Brake pad	.Bromsklots	1
0340	4	91 02 708	1987-, INNER		X BRAKE PAD SET, FRONT	BROMSKLOTSSATS, FRAM	1
0360		91 02 153			2 Brake pad	.Bromsklots	1
0380	5	89 93 230	-1986		X BRAKE PAD SET, REAR	BROMSKLOTSSATS, BAK	1
0400		89 85 244			4 Brake pad	.Bromsklots	6
0420	5	91 02 716	1987-		X BRAKE PAD SET, REAR	BROMSKLOTSSATS, BAK	1
0440		91 01 916			4 Brake pad	.Bromsklots	1
0460	5	89 93 306			X KIT, SEALING MAIN CYLINDER	SATS, TÄTNING HUVUDCYLINDER	4
0480		89 28 426			2 Gasket	.Packning	4
0500		89 46 985			2 Sealing ring	.Tätningring	2
0520		89 46 824			2 Support ring	.Stödring	2
0540		89 46 832			2 Seal ring	.Tätningring	2
0560		89 46 923			2 Washer	.Bricka	4
0580		89 28 434			1 Stop pin	.Stoppinne	4
0600		89 28 378			1 Lock ring	.Låsting	5

6	General	1-A02
1	Tools	1-B02
2	Engine	1-D02
3	Electrical system, Instruments	1-G02
4	Transmission	1-I02
5	Brakes	1-K02
6	Front assembly, Steering	1-L02
7	Suspension, Wheels	2-A02
8	Body	2-B02
9	Tool, Labels	2-G02
10	Numerical register	2-H02

5 GROUP INDEX		
Front wheel brake	1-K06	
Rear wheel brake	1-K08	
Footbrake system	1-K10	
Parking brake system	1-K12	
Complete sets	1-K18	

1. See SI 623-678, for USA see SI 05/86-847



F2460 - 90

1-K20

Complete sets
Brakes

Setar
Bromsar

MASTER INDEX

Part No./Act. No.	Qty./Anst.	Description	Swedish
8673	1	X KIT, SEALING FRONT BRAKE	SATS, TÄTNINGAR FRAMBROMS
8680		2 Main seal	Ärmutning
8680		2 Seal retainer	Ärmutningskåporna
8750		2 Seal, piston	Ärmutning, kolv
8725		1 Seal, push rod	Ärmutning, tryckstång
8730		1 Sealing kit, hand brake	Ärmutningsset, handbroms
8740			
8790	2	X KIT, SEALING REAR BRAKE	SATS, TÄTNINGAR BAKBROMS
8800		2 Seal ring	Ärmutning
8800		2 Main seal	Ärmutning
8840		2 Seal retainer	Ärmutningskåporna
8880	3	X SET, SEALING HAND BRAKE	SATS, TÄTNINGAR HANDBROMS
8880		2 Seal	Ärmutning
8880		2 Seal	Ärmutning
8880		2 Seal	Ärmutning
8920	4	X REPAIR KIT, POWER BRAKE	REPARATIONSSATS, VAKUUMSERVO
8920		1 Seal	Ärmutning
8980		1 Air filter	Luftfilter
8980		1 Muffler	Luftdämpare
8980		1 Rubber bellows	Gummibalg
9100	5	X PISTON SET FRONT BRAKE	KOLVSATS FRAMBROMS
9100		1 Piston	Kolv
9100		1 Push rod	Tryckstång

Index	Description	Index
0	General	1-A02
1	Tools	1-B02
2	Engine	1-C02
3	Electrical system, instruments	1-G02
4	Transmission	1-H02
5	Brakes	1-K02
6	Front assembly, steering	1-L02
7	Suspension, wheels	2-A02
8	Body	2-B02
9	Tools, labels	2-G02
10	Numerical register	2-H02

5 GROUP INDEX

Front wheel brake	1-K06
Rear wheel brake	1-K08
Footbrake system	1-K10
Parking brake system	1-K12
Complete sets	1-K18

1. See SI 523-678, for USA see SI 05/66-047