

7

Fjädringssystem, Hjul
Suspension, Wheels
Federung, Räder
Suspension, Roues
Suspensión, Ruedas

Suspension system, wheels

Fjädringssystem, Hjul

2-A02

0000
0010
0020
0030
0040
0050
0060
0070
0080
0090
0100
0110
0120
0130
0140
0150
0160
0170
0180
0190
0200
0210
0220
0230
0240
0250
0260
0270
0280
0290
0300
0310
0320
0330
0340
0350
0360
0370
0380
0390
0400
0410
0420
0430
0440
0450
0460
0470
0480
0490
0500

TABLE OF CONTENTS

Front suspension, wheels	7 : 3	2-A04
Rear suspension	7 : 5	2-A06
Rear axle	7 : 7	2-A08
Complete sets		
Suspension system, wheels	7 : 9	2-A10

INNEHÅLLSFÖRTECKNING

Främre fjädring, hjul	7 : 3	2-A04
Bakre fjädring	7 : 5	2-A06
Bakaxel	7 : 7	2-A08
Satser		
Fjädringssystem, hjul	7 : 9	2-A10

INHALTSVERZEICHNIS

Vorderradfederung, Räder	7 : 3	2-A04
Hinterer Federung	7 : 5	2-A06
Hinterachse	7 : 7	2-A08
Kompleta Sätze		
Federung, räder	7 : 9	2-A10

TABLE DES MATIERES

Suspension AV, roues	7 : 3	2-A04
Suspension AR	7 : 5	2-A06
Essieu AR	7 : 7	2-A08
Jeux complets		
Suspension roues	7 : 9	2-A10

SUMARIO

Suspensión Del, ruedas	7 : 3	2-A04
Suspensión Tras	7 : 5	2-A06
Eje Tras	7 : 7	2-A08
Juegos completos		
Suspensión ruedas	7 : 9	2-A10

MASTER INDEX

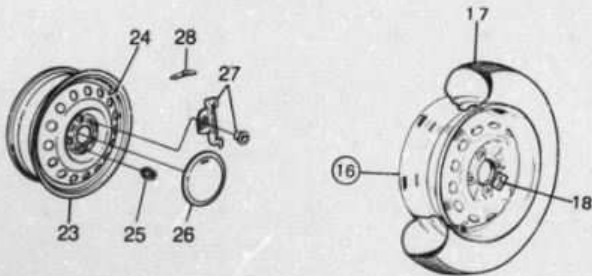
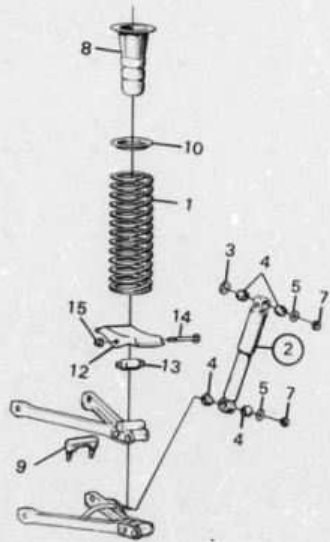
- 0 General
- 1 Tools
- 2 Engine
- 3 Electrical system, instruments
- 4 Transmission
- 5 Brakes
- 6 Front assembly, Steering
- 7 Suspension, Wheels
- 8 Body
- 9 Tool, Labels
- 10 Numerical register

7 GROUP INDEX

- Front suspension, wheels
- Rear suspension
- Rear axle
- Complete sets

2-A04 Front suspension, wheels

Främre fjädring, hjul



R 7782-90

Qty./Anst.	Part No./Del nr	Description	Swedish
0100		Notes/Anmärkning	
0010	1	(8941486)	2 Spring Fjäder
0020	2	see page 7-009, 2-A10	2 Kit, shock absorber Sats, stötdämpare
0030	2	see page 7-009, 2-A10	2 Kit, shock absorber Sats, stötdämpare
0050	3	71 09 341 S	assy kpl
0060	4	89 32 840 S	assy kpl
0070	5	89 20 019 S	Washer .Sicka
0080	6	89 20 019 S	Washer .Sicka
0090	7	79 14 089 S	Nut .Mutter
0100	8	89 19 847	Rubber buffer Gummibuffer
0110	8	91 01 882	Rubber buffer Gummibuffer
0120	9	89 09 152	Rubber buffer Gummibuffer
0130	10	89 19 862	Support ring Stödning
0140	12	89 19 870	Spring support Fjäderstöd
0150	13	89 31 974	Bushing Bussning
0160	14	79 03 743	Screw Skruv
0170	15	79 40 463	Nut Mutter
0180	16	89 91 598	Spare wheel assy Reservhjul kpl
0190	17	89 90 160	Spare tyre .Reservtyck
0200	18	89 90 632	Label .Etikett
0210	23	89 89 619	Wheel (5.7") Hjul (5.7")
0220	23	89 87 836	Wheel (5.5") Hjul (5.5")
0230	23	89 87 836	Wheel (5.5") Hjul (5.5")
0240	24	89 30 323	Valve Ventil
0250	25	89 47 277	Nut Mutter
0260	26	89 87 196	Hub cap Hjulskapsel
0270	27	91 01 510	Kit, clip Sats, clip
0280	28	89 48 143	X Counter weight 10 g Balanseringsvikt 10 g
0290	28	89 48 150	X Counter weight 20 g Balanseringsvikt 20 g
0300	28	89 17 395	X Counter weight 30 g Balanseringsvikt 30 g
0310	28	89 48 168	X Counter weight 40 g Balanseringsvikt 40 g
0320	28	89 48 176	X Counter weight 50 g Balanseringsvikt 50 g
0330	28	89 17 411	X Counter weight 60 g Balanseringsvikt 60 g

4. Ch. ---G6000885

5. Ch. G6000886--

SAAB GROUP PARTS

SAAB 90 M85-87

1990-02

R7782

07-003

MASTER INDEX

- 0 General
- 1 Tools
- 2 Engine
- 3 Electrical system, Instruments
- 4 Transmission
- 5 Brakes
- 6 Front assembly, Steering
- 7 Suspension, Wheels
- 8 Body
- 9 Tool, Labels
- 10 Numerical register

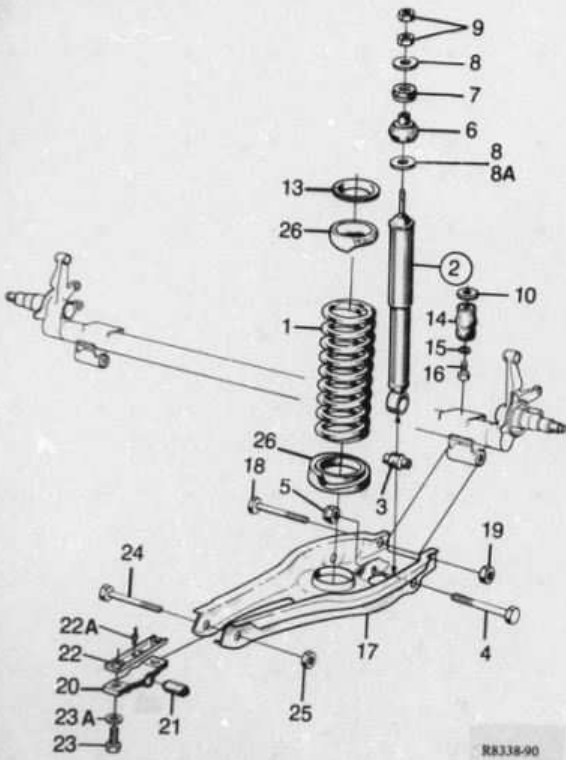
7 GROUP INDEX

- Front suspension, wheels
- Rear suspension
- Rear axle
- Complete sets

2-A06

Rear suspension

Bakre fjädring



Qty	Part No./Alt. No.	Descr./Anmärkning	Qty	Description	Benämning	3
2	89 32 857	Spring	2	Spring	Fjäder	6
2	89 33 412	Kit, shock absorber	2	Kit, shock absorber	Sats, stötdämpare	1
2	89 47 939	Bearing bushing	2	Bearing bushing	Lagerbushning	5
2	89 38 466	Screw	2	Screw	Skruv	1
2	80 73 546	Nut	2	Nut	Mutter	5
2	89 39 423	Bushing	2	Bushing	Bushning	5
2	89 85 962	Bushing	2	Bushing	Bushning	1
2	91 00 025	1987- UPPER	2	Bushing	Bushning	1
2	89 85 954	UPPER	2	Washer	Bricka	5
2	89 48 226	LOWER	2	Washer	Bricka	5
2	83 15 558	LOWER	4	Nut	Mutter	5
2	89 47 152	Spacer	2	Spacer	Mellanlägg	2
2	89 33 897	Spacer ring	2	Spacer ring	Distansring	4
2	89 22 445	Rubber buffer	2	Rubber buffer	Gummbuffert	5
2	79 10 599	Washer	2	Washer	Bricka	5
2	79 75 063	Screw	2	Screw	Skruv	10
2	89 47 210	Spring link	2	Spring link	Fjäderlänk	4
2	80 84 410	Screw	2	Screw	Skruv	5
2	80 73 546	Lock nut	2	Lock nut	Låsmutter	5
2	89 47 268	Bearing, front	2	Bearing, front	Lager, framre	5
2	89 35 298	Bushing	2	Bushing	Lagerbushning	3
2	89 89 899	Nut plate	2	Nut plate	Mutterplatta	6
2	79 75 117	Rivet	2	Rivet	Nit	5
4	89 90 079	Screw	4	Screw	Skruv	5
4	80 30 017	Washer	4	Washer	Bricka	5
2	80 84 386	Screw	2	Screw	Skruv	5
2	80 73 546	Nut	2	Nut	Mutter	5
4	89 35 330	Spring support	4	Spring support	Fjädersöd	4

MASTER INDEX

- 6 General
- 1 Tools
- 2 Engine
- 3 Electrical system, Instruments
- 4 Transmission
- 5 Brakes
- 6 Front assembly, Steering
- 7 Suspension, Wheels
- 8 Body
- 9 Tool, Labels
- 10 Numerical register

7 GROUP INDEX

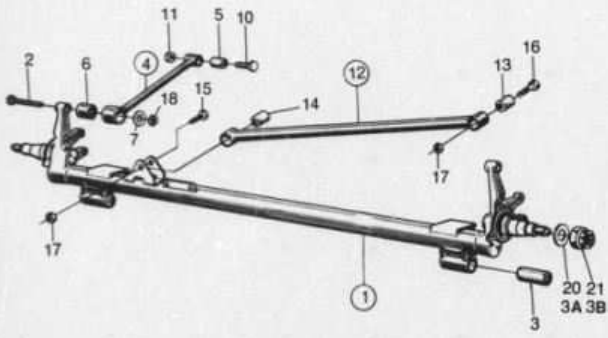
- Front suspension, wheels
- Rear suspension
- Rear axle
- Complete sets

2-A08

Rear axle

Bakaxel

MASTER INDEX



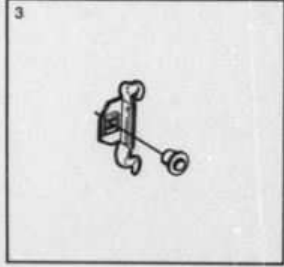
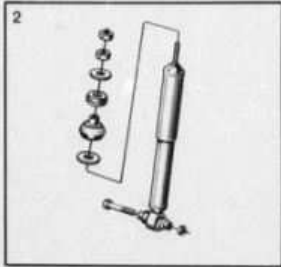
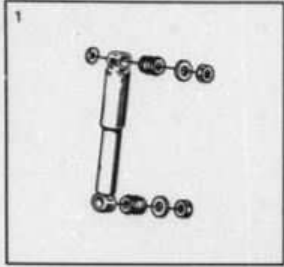
R 7210-90

Q204	Part No./Ref. No.	Notes/Anmärkning	Qty./Axel	Description	Benämning	1
0020	1	91 00 298	1	Rear axle assy	Bakaxel kpl	1
0030	2	89 28 048	2	Screw	Skruv	4
0040	3	89 35 306	2	Bushing	Bussning	3
0090	3A	89 46 477	2	Washer	Bricka	5
0060	3B	89 54 710	2	Nut	Mutter	3
0010	4	89 44 175	2	Link	Länk	4
0080	5	89 32 741	2	Bushing	Bussning	3
0090	6	89 08 675	2	Bushing	Bussning	3
0100	7	89 09 632	2	Washer	Bricka	5
0110	10	89 33 293	2	Screw	Skruv	5
0120	11	79 40 455	2	Nut	Mutter	3
0130	12	89 32 071	1	Cross bar	Tvärstag	5
0140	13	89 32 014	1	Bushing	Bussning	4
0150	14	89 30 307	1	Bushing	Bussning	4
0180	15	89 42 005	1	Screw	Skruv	5
0170	16	89 30 299	1	Screw	Skruv	5
0180	17	79 40 455	2	Nut	Mutter	3
0190	18	79 63 416	2	Nut	Mutter	3
0200	20	89 46 477	2	Washer	Bricka	5
0210	21	89 21 785	2	Nut	Mutter	3

6 General
 1 Tools
 2 Engine
 3 Electrical system, Instruments
 4 Transmission
 5 Brakes
 6 Front assembly, Steering
 7 Suspension, Wheels
 8 Body
 9 Tool, Labels
 10 Numerical register

7 GROUP INDEX
 Front suspension, wheels
 Rear suspension
 Rear axle
 Complete sets

2. Ch. --F6009038
 3. Ch. F6009039--



R 9278-90

2-A10

Complete sets *Suspension system, wheel* Satsar *Fjädringssystem, hjul*

1900	Part No./Del nr	Qty./Antal	Notes/Anmärkning	Designation	Benämning
0600	1 89 93 271	4		X KIT SHOCK ABSORBER FRONT	SATS STÖTDÄMPARE FRÄMRE
0600	89 41 676	1		.Shock absorber	.Stötdämpare
0630	89 20 019	2		.Washer	.Bricka
0640	71 09 341	1		.Washer	.Bricka
0660	79 04 089	2		.Nut	.Mutter
0680	1 89 93 495	5		X KIT SHOCK ABSORBER FRONT	SATS STÖTDÄMPARE FRÄMRE
0682	89 88 412	1		.Shock absorber	.Stötdämpare
0684	89 32 840	2		.Bushing	.Bussning
0686	89 20 019	2		.Washer	.Bricka
0688	71 09 341	1		.Washer	.Bricka
0692	79 04 089	2		.Nut	.Mutter
0698	2 89 93 412	X		X KIT SHOCK ABSORBER REAR	SATS STÖTDÄMPARE BAKRE
1240	89 88 123	1		.Shock absorber with bushing	.Stötdämpare med bussning
1300	89 38 466	1		.Screw	.Skruv
1320	80 73 546	1		.Nut	.Mutter
1340	89 39 423	1		.Bushing, lower	.Bussning, nedre
1360	91 00 025	1		.Bushing, upper	.Bussning, övre
1400	83 15 558	2		.Nut	.Mutter
1420	89 48 226	2		.Washer, lower	.Bricka, nedre
1440	89 85 954	1		.Washer, upper	.Bricka, övre
1460	3 91 01 510			KIT, CLIP	SATS, CLIP
1480	91 00 546	1		.Clip	.Clip
1490	91 00 553	1		.Sleeve	.Hylsa
1900					

1. Not as separate spare part
 4. Ch. ---06000885
 5. Ch. 06000886---

MASTER INDEX

- 0 General
- 1 Tools
- 2 Engine
- 3 Electrical system, instruments
- 4 Transmission
- 5 Brakes
- 6 Front assembly, Steering
- 7 Suspension, Wheels
- 8 Body
- 9 Tool, Labels
- 10 Numerical register

7 GROUP INDEX

- Front suspension, wheels
- Rear suspension
- Rear axle
- Complete sets

SAAB original parts

SAAB 90 M85-87

1990-02

R9278

07-009