

# 6

Framvagn, Styrinrättning  
 Front assembly, Steering  
 Vorderwagen, Lenkung  
 Train-avant, Direction  
 Tren delantero, Dirección

Front wheel suspension,  
**STEERING DEVICE**

Framvagn, styrinrättning

## 1-L02

0251  
0010  
0020  
0030  
0040  
0050  
0060  
0070  
0080  
0090  
0100  
0110  
0120  
0130  
0140  
0150  
0160  
0170  
0180  
0190  
0200  
0210  
0220  
0230  
0240  
0250  
0260  
0270  
0280  
0290  
0300  
0310  
0320  
0330  
0340  
0350  
0360  
0370  
0380  
0390  
0400  
0410  
0420  
0430  
0440  
0450  
0460  
0470  
0480  
0490  
0500  
0510  
0520  
0530  
0540  
0550  
0560  
0570  
0580  
0590  
0600

### TABLE OF CONTENTS

Front wheel suspension, steering device	6 : 3	1-L04
Front wheel suspension		
Steering device		
Steering wheel, column tube, steering wheel shaft	6 : 5	1-L03
Steering gear	6 : 7	1-L08
Complete sets		
Front wheel suspension, steering device	6 : 9	1-L10

### INNEHÅLLSFÖRTECKNING

Framvagn, styrinrättning	6 : 3	1-L04
Framvagn		
Styrinrättning		
Ratt, rattstjäl, rattstäng	6 : 5	1-L03
Styrkåsa	6 : 7	1-L08
Satser		
Framvagn, styrinrättning	6 : 9	1-L10

### INHALTVERZEICHNIS

Forderwagen, Lenkungen	6 : 3	1-L04
Vorderwagen		
Lenkung		
Lenkrad, Lenksäulenlagerung, Lenksäule	6 : 5	1-L03
Lenkgehäuse	6 : 7	1-L08
Komplette Sätze		
Vordergestell, lenkung	6 : 9	1-L10

### TABLE DES MATIERES

Train avant, direction	6 : 3	1-L04
Train avant		
Direction		
Volant, tube enveloppe, colonne de direction	6 : 5	1-L03
Bulca-vanne de direction	6 : 7	1-L08
Jeux complets		
Train AV, direction	6 : 9	1-L10

### SIN/ARIO

Tren delantero, direct	6 : 3	1-L04
Tren delantero		
Dirreción		
Volante, tubo funda, columna de dirección	6 : 5	1-L03
Mecanismo de dirección	6 : 7	1-L08
Juegos completos		
Mecanismo e delantero, direct, cambio en el volante	6 : 9	1-L10

### MASTER INDEX

0	General	1
1	Tools	1
2	Engine	1
3	Electrical system, instruments	1
4	Transmission	1
5	Brakes	1
6	Front assembly, steering	1
7	Exhaustion, wheels	2
8	Body	2
9	Tools	2
10	Labels	2
	Numerical register	2

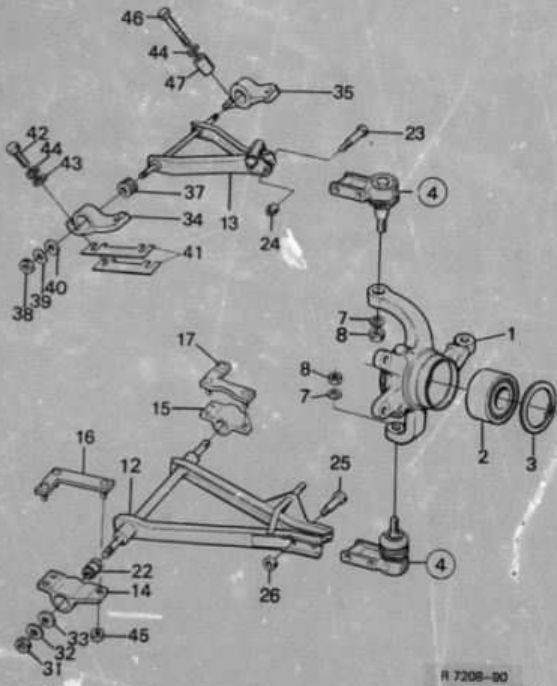
### 6 GROUP INDEX

Front wheel suspension,  
 steering device  
 Steering device  
 Complete sets

# 1-L04

## Front wheel suspension

## Frånvagn



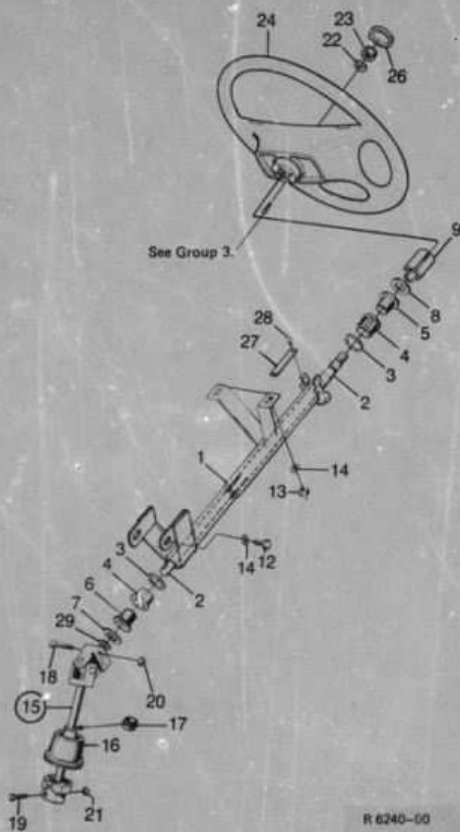
QTY	Part No.	Part Name	Notes/Remarks	Qty/Assy	Description	Swedish
0010	1	89 41 858		1	Steering knuckle housing	Styrspindelhus
0020	1	89 41 866		1	Steering knuckle housing	Styrspindelhus
0040	2	89 42 765		2	Ball bearing	Kulager
0040	3	79 72 581		4	Retaining ring	Spårning
0070	4	89 93 321		4	End piece easy	Ändstycke kpl
0080	7	80 73 124	see page 6-009, 1-L10	4	Washer	Bricka
0090	8	79 18 733		4	Nut	Mutter
0100	12	89 34 796		1	Control arm	Swängarm
0110	12	89 34 796		1	Control arm	Swängarm
0120	13	89 41 015		1	Control arm	Swängarm
0130	13	89 41 023		1	Control arm	Swängarm
0140	14	89 86 283		1	Bearing front with bushing	Lager främre med bushing
0180	14	89 86 333		1	Bearing front with bushing	Lager främre med bushing
0190	15	89 86 379		1	Bearing rear with bushing	Lager bakre med bushing
0190	15	89 86 358		1	Bearing rear with bushing	Lager bakre med bushing
0210	16	82 79 458	FRONT LH	1	Bracket	Fäste
0230	16	82 78 486	FRONT RH	1	Bracket	Fäste
0240	17	89 23 294	FRONT LH	1	Bracket	Fäste
0260	17	89 23 302	FRONT RH	1	Bracket	Fäste
0280	22	184 443		4	Bushing	Bushning
0290	23	73 23 289	1985	4	Screw	Skruv
0300	23	81 90 012	1986-	4	Screw	Skruv
0300	24	79 18 717	1985	4	Nut	Mutter
0300	24	79 69 306	1986-	4	Nut	Mutter
0310	25	89 93 012	1985	4	Screw	Skruv
0320	27	79 69 306		4	Nut	Mutter
0330	27	79 04 113		4	Nut	Mutter
0340	32	70 71 939		4	Washer	Bricka
0340	33	70 70 642		4	Washer	Bricka
0360	34	71 75 433	FRONT LH	1	Bearing	Lager
0370	35	71 75 441	FRONT RH	1	Bearing	Lager
0380	34	71 75 441	FRONT LH	1	Bearing	Lager
0390	35	71 75 433	FRONT RH	1	Bearing	Lager
0410	37	71 63 603		4	Bushing	Bushning
0410	38	79 04 097		4	Nut	Mutter
0420	39	70 70 626		4	Washer	Bricka
0430	40	70 70 667		4	Washer	Bricka
0440	41	70 71 061	0.5 MM	X	Spacer	Mellanlägg
0440	41	70 71 079	1.0 MM	X	Spacer	Mellanlägg
0440	41	70 71 087	2.0 MM	X	Spacer	Mellanlägg
0470	42	79 03 347		7	Screw	Skruv
0480	43	80 29 983		8	Washer	Bricka
0490	44	79 10 565		8	Washer	Bricka
0500	45	79 65 429		12	Nut	Mutter
0510	46	79 03 370		1	Screw	Skruv
0520	47	89 17 619		1	Spacer sleeve	Distanshylsa

### MASTER INDEX

0	General
1	Tools
2	Engine
3	Electrical system, instruments
4	Transmission
5	Brakes
6	Front assembly, steering
7	Suspension
8	Wheels
9	Body
10	Tool
11	Labels
12	Numerical register

### GROUP INDEX

6	Front wheel suspension, steering device
6	Steering device
6	Complete sets



# 1-L06

Steering device  
Steering wheel, column  
tube steering wheel shaft

Styrinrättning  
Ratt, ratttrör,  
rattstång

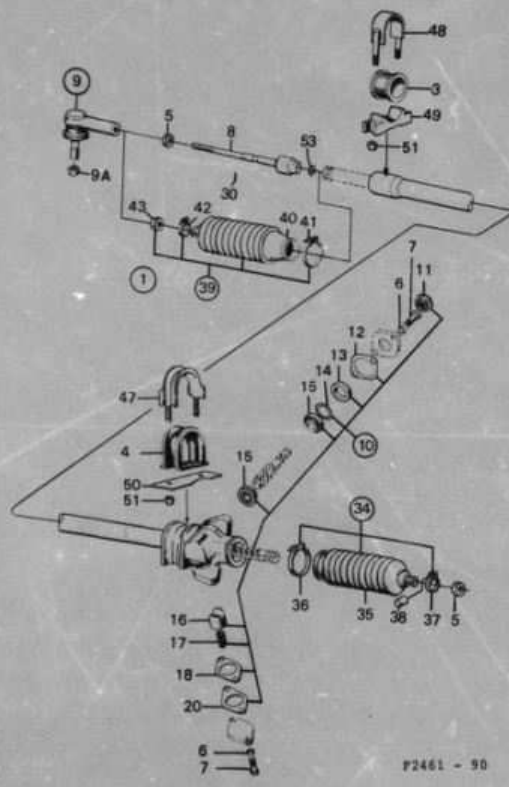
QTY	Part No. for 1980	Description	Swedish	QTY	Part No. for 1980	Description	Swedish
1	89 87 711	Column tube	Ratttrör	1	89 87 711	Column tube	Ratttrör
1	89 87 943	Column tube	Ratttrör	1	89 87 943	Column tube	Ratttrör
1	89 87 752	Steering wheel shaft	Rattstång	1	89 87 752	Steering wheel shaft	Rattstång
2	89 05 981	Washer	Bricka	2	89 05 981	Washer	Bricka
2	89 05 795	Rubber bushing	Gummibussning	2	89 05 795	Rubber bushing	Gummibussning
1	89 04 906	Bushing	Bussning	1	89 04 906	Bushing	Bussning
1	89 15 076	Bushing	Bussning	1	89 15 076	Bushing	Bussning
1	89 05 579	Washer	Bricka	1	89 05 579	Washer	Bricka
1	89 05 587	Washer	Bricka	1	89 05 587	Washer	Bricka
1	89 17 098	Adjuster	Medbringare	1	89 17 098	Adjuster	Medbringare
2	80 82 927	Screw	Skruv	2	80 82 927	Screw	Skruv
2	79 65 767	Nut	Mutter	2	79 65 767	Nut	Mutter
14	79 23 848	Washer	Bricka	14	79 23 848	Washer	Bricka
1	89 88 032	Intermediate shaft assy	Mellanaxel kpr smy	1	89 88 032	Intermediate shaft assy	Mellanaxel kpr smy
1	89 16 132	Seal belows	Tätningstång	1	89 16 132	Seal belows	Tätningstång
1	89 43 755	Bearing	Lager	1	89 43 755	Bearing	Lager
1	79 71 419	Screw	Skruv	1	79 71 419	Screw	Skruv
1	89 36 148	Screw	Skruv	1	89 36 148	Screw	Skruv
1	79 65 734	Nut	Mutter	1	79 65 734	Nut	Mutter
1	79 63 390	Nut	Mutter	1	79 63 390	Nut	Mutter
1	79 33 872	Washer	Vågbricka	1	79 33 872	Washer	Vågbricka
1	89 42 716	Lock nut	Låsmutter	1	89 42 716	Lock nut	Låsmutter
1	89 65 477	Steering wheel	Ratt	1	89 65 477	Steering wheel	Ratt
1	89 89 658	Endflange	Endflans	1	89 89 658	Endflange	Endflans
1	89 17 106	Grounding plate	Jordingsplatta	1	89 17 106	Grounding plate	Jordingsplatta
1	79 22 644	Screw	Skruv	1	79 22 644	Screw	Skruv
1	89 18 443	Rubber washer	Gummibricka	1	89 18 443	Rubber washer	Gummibricka

## MASTER INDEX

- 0 General
- 1 Tools
- 2 Engine
- 3 Electrical system, instruments
- 4 Transmission
- 5 Brakes
- 6 Front assembly, steering
- 7 Suspension, wheels
- 8 Body
- 9 Tools
- 10 Labels
- 11 Numerical register

## GROUP INDEX

- 6 Front wheel suspension, steering device
- 5 Steering device
- 6 Complete sets



F2461 - 90

# 1-L08

Steering device  
Steering gear

Styrinrättning  
Styrväxel

QTY	Part No	Part Name	Description	Swedish
1	89 86 671	RHO	Steering gear with tie rods assy	Styrväxel med stag
1	89 86 688	RHO	Steering gear with tie rods	Styrväxel med stag
2	89 26 502		Rubber bushing	Gummibussning
4	89 26 506		Rubber spacer	Gummisplint
5	89 24 1e9		Lock nut	Låsnutt
6	79 10 557		Washer	Bricka
7	80 82 943		Screw	Skruv
8	89 88 190		Tie rod	Styrstag
9	89 93 354		Kit, tie rod end	Sats, styrstagsände
9A	80 73 546		Nut	Mutter
10	89 44 704		Repair kit, pinion	Reparationsats, pinjong
11	89 15 621		Seal ring	Tätningring
12	89 15 613		Gasket	Packning
13	89 26 784		Spacer ring	Distansring
14	89 26 792		Spacer ring	Distansring
15	89 26 594		Shim	Shim
16	89 26 602		Shim	Shim
17	89 26 610		Shim	Shim
18	89 35 470		Ball bearing	Kullager
19	89 33 087		Plunge	Plunge
20	89 15 654		Spring	Fjäder
21	89 28 644		Shim	Shim
22	89 26 651		Shim	Shim
23	89 26 669		Shim	Shim
24	89 26 685		Gasket	Packning
25	89 47 913		Kit, bellows	Sats, bälg
26	89 26 743		Bellows	Bälg
27	89 26 788		Clamp	Klamme
28	89 20 183		Clamp	Klamme
29	89 20 191		Cap	Huv
30	89 44 736		Kit, bellows	Sats, bälg
31	89 26 750		Bellows	Bälg
32	89 26 736		Clamp	Klamme
33	89 20 193		Clamp	Klamme
34	89 24 167		Lock nut	Låsnutt
35	89 25 265		Cap	Överfall
36	89 25 323		Cap	Överfall
37	89 25 315		Spacing piece	Mellanstycke
38	89 11 133		Washer	Bricka
39	80 73 538		Nut	Mutter
40	89 47 962		Washer	Bricka

1. Not as separate spare part

MASTER INDEX

- 0 General
- 1 Tools
- 2 Engine
- 3 Electrical system, Instruments
- 4 Transmission
- 5 Brakes
- 6 Front assembly, Steering
- 7 Suspension, Wheels
- 8 Body
- 9 Tool, Labels
- 10 Numerical register

GROUP INDEX

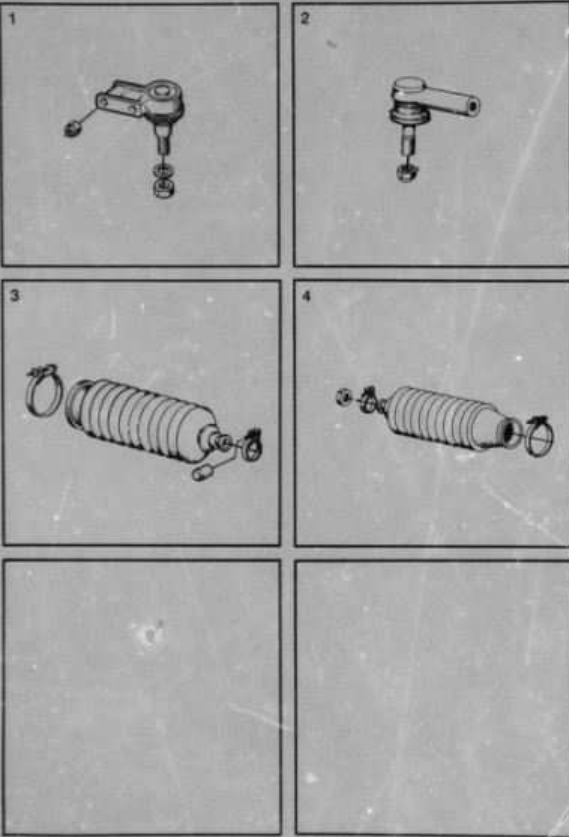
- 4 Front wheel suspension, steering device
- 4 Complete sets

# 1-L10

Complete sets  
Front wheel suspension,  
steering device

Setser  
Framvagn, styrinrättning

MASTER INDEX



R. 9277-90

1000	Qty	Part No./Set No.	Name, Amendment	Description	Swedish	1
0010	1	89 93 321		X KIT END PIECE	SATS ÄNDSTYCKE	1
0020		89 85 384	1) End piece		Ändstycke	2
0030		89 93 677	1) J/S, nut		Muttersets	4
0010						
0080	2	89 93 354		X KIT, TIE ROD-END	SATS, STYRSTAGSÄNDE	2
0090		89 85 160	1) Tie rod end		Styrstagsände	2
0100		80 73 546	1) Nut		Mutter	5
0110						
0120	3	89 47 913	LH	X KIT, BELLOWS TIE	SATS, GUMMBÄLG	2
0130				ROD	STYRSTAG	2
0140		89 26 743	1) Bellows		Balg	5
0150		89 26 768	1) Clamp		Klamme	5
0160		89 20 183	1) Clamp		Klamme	5
0170		89 20 191	1) Cap		Åk	5
0180						
0190	4	89 44 738	RH	X KIT, BELLOWS TIE	SATS, GUMMBÄLG	2
0200				ROD	STYRSTAG	2
0210		89 26 750	1) Bellows		Balg	5
0220		89 26 776	1) Clamp		Klamme	5
0230		89 20 183	1) Clamp		Klamme	5
0240		89 24 109	1) Lock nut		Låsmutter	5
0250						
0260						
0270						
0280						
0290						
				REPAIR SETS, STEERING GEAR, SEE GROUP 6	REPARATIONSSATSER STYRVÄXEL, SE GROUP 6	

1) Not as separate spare part

Index	Category
0	General
1	Tools
2	Engine
3	Electrical system, Instruments
4	Transmission
5	Brakes
6	Front assembly, Steering
7	Suspension, Wheels
8	Body
9	Tool, Labels
10	Numerical register

6 GROUP INDEX

Front wheel suspension,  
steering device  
Complete sets